

# CHRIS ALSTON'S **Chassisworks** MUCH MORE THAN JUST DRAG RACING



EVERYTHING BOOKLET

VOLUME 2019



Pro-Touring & GM Muscle Car



Vintage Mustang & Ford Road Race



Classic Mustang & Ford Restomod



Doorslammer Drag Race



Classic & Late Model Truck Performance



Complete Pro-Touring Chassis Systems

**888.388.0239**  
CAChassisworks.com/Everything

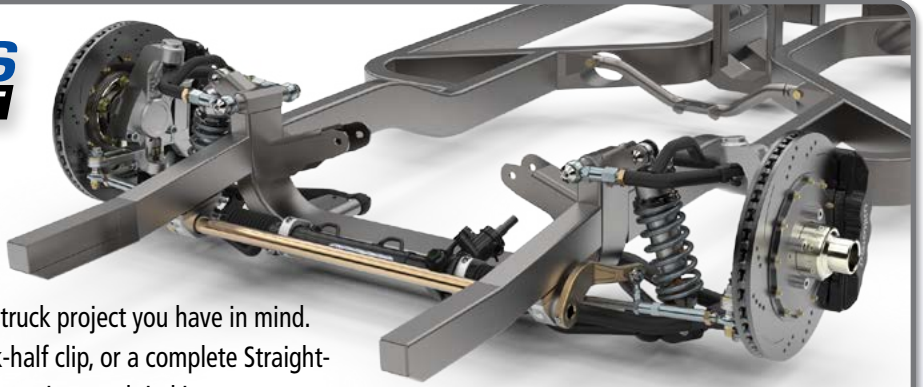
CHRIS ALSTON'S  
**Chassisworks**  
THE HOME OF HIGHER TECHNOLOGY

4

CHRIS ALSTON'S  
**Chassisworks**  
**CUSTOM FIT**

## Custom-Fit Frames, Clips and Crossmembers

The perfect solution... custom configured and performance specific suspensions for whatever car or truck project you have in mind. Choose just the front crossmember or frame clip, back-half clip, or a complete Straight-Rail or Perimeter-X frame with full complement of suspensions and tin kits.



18

CHRIS ALSTON'S  
**Chassisworks**  
**PRO TOURING**

## GM Cars 1955-2002

Direct-fit and custom-fit product systems for Pro-Touring, g-Machine and Pro-Street muscle cars, and custom-built vehicles.



36



## Ford Cars 1960-1977

Quality suspension and steering components available for Classic Restomod and Pro-Touring Mustangs, Cougars, Comets, Falcons and Fairlanes.



52

CHRIS ALSTON'S  
**Chassisworks**  
**DRAG RACE**

## Doorslammer Components

Chassis and suspension product systems and components for street/strip, Pro Street, Drag Radial, Outlaw and Pro Mod.



84

**KP COMPONENTS**

## Sport Truck 1960-2015

A leading developer of performance Sport-Truck coil-over, air-bag and air-suspension systems.



92

**VariShock**

## Coil-Overs, Shocks and Struts

Performance shock absorbers and struts including stock replacement and custom fit products for the Pro-Touring, Pro Street, Street Rod, and Drag Race.



98

**CDS**  
COMPONENT DRIVE SYSTEMS

## Supercharger Drives and Accessories

The highest-quality gear- and belt-driven accessory systems for popular racing and street-performance engines.



# Chris Alston's Chassisworks



For over 45 years, Chris Alston has remained committed to the development and manufacturing of components for street and race chassis applications. Investment in technology – on the factory floor and in our business systems – has been critical to our continued success and ability to continuously invent and refine products. Chris Alston's Chassisworks manufactures the largest selection of chassis and suspension parts in the automotive aftermarket industry. Comprised of seven distinctly different product brands, Chassisworks serves performance enthusiasts and racers in the domestic muscle car, drag race, and sport truck markets.





## The Next Step... ... in the evolution of vehicle builds

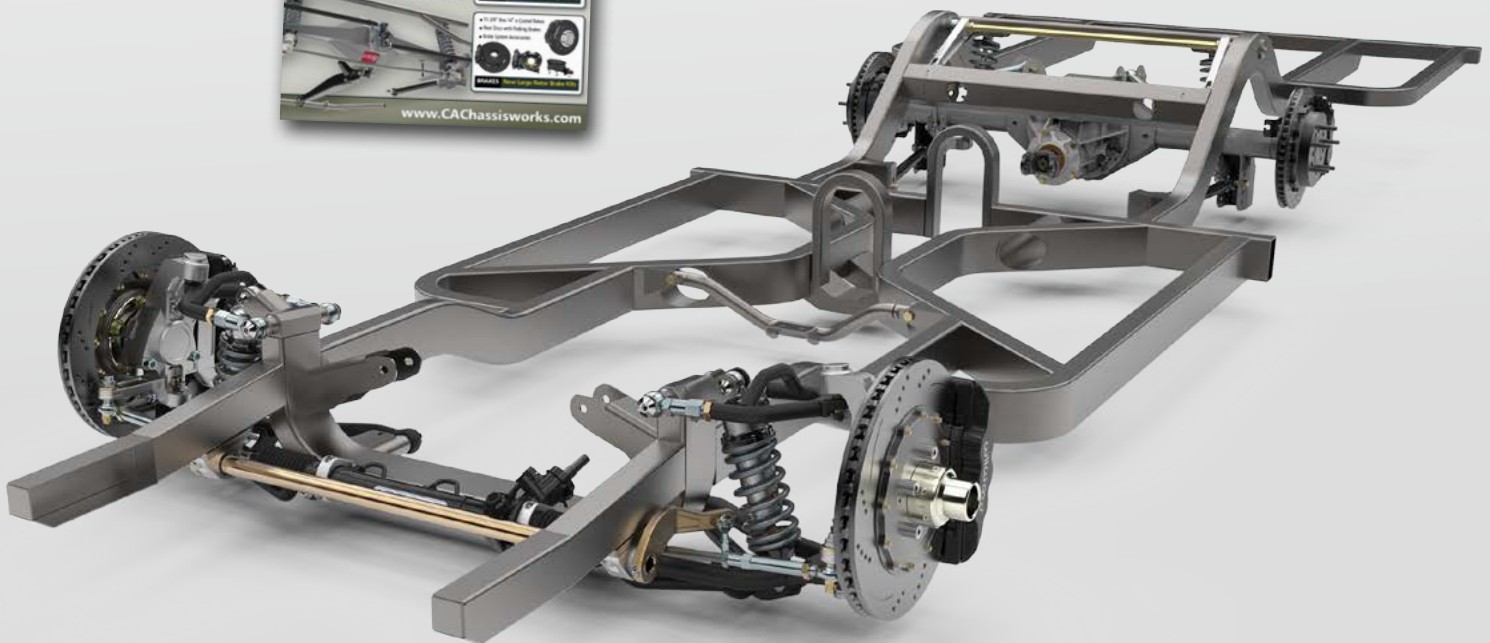
Avoid the hassle of extensive floor repairs on your custom build with Chassisworks new custom-fit frame and prefab floor system; The Complete Chassis Solution for Most Cars and Trucks. Unibody construction techniques are utilized when installing to improve rigidity over the original stock platform. Chassisworks custom-fit frame and simple trim-to-fit floor and tub system welds directly to the vehicle, creating a cohesive structure and saving valuable time and expense normally wasted repairing and mini-tubbing the stock floor.

**Configure your custom solution today!**

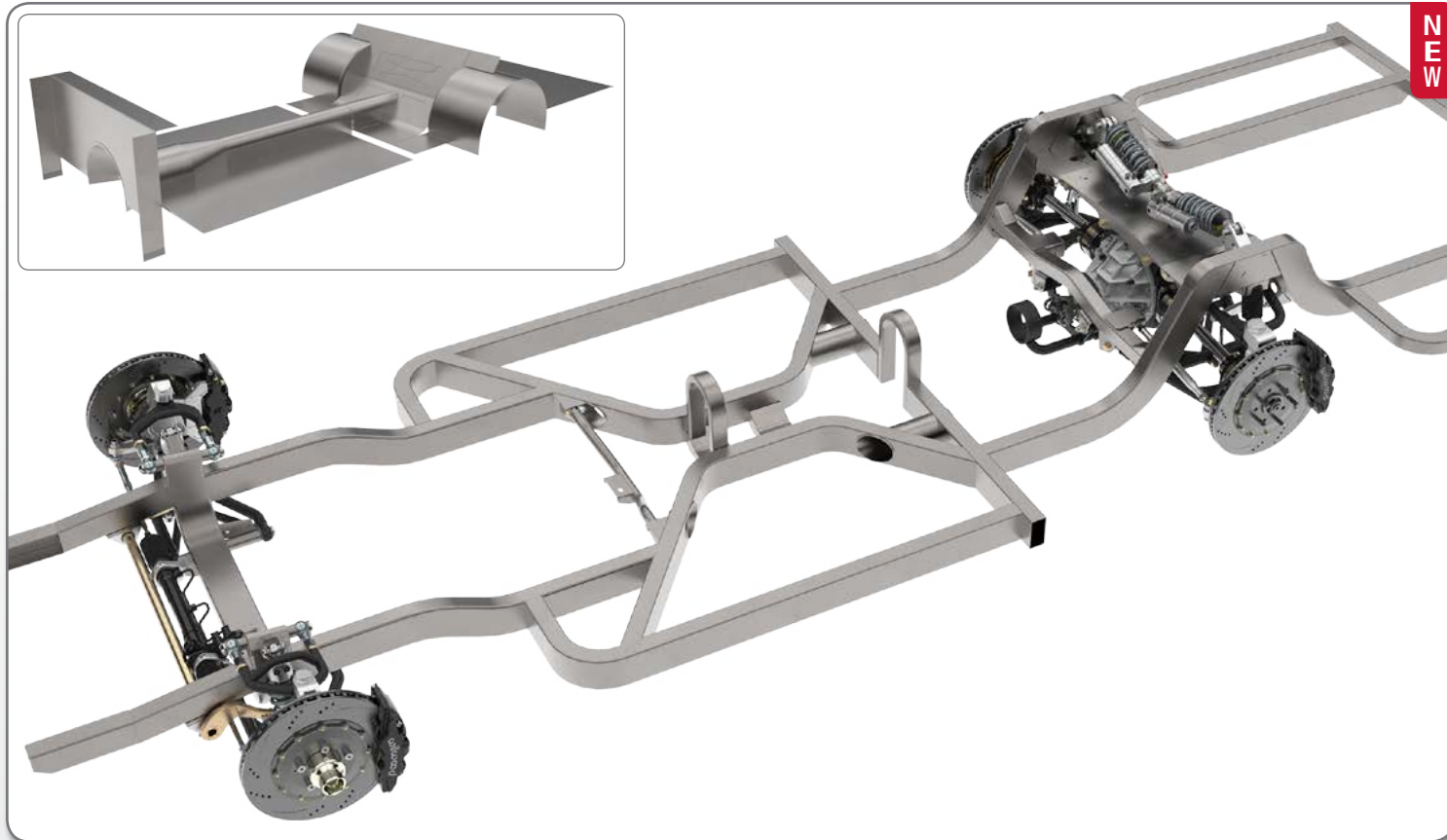


### Custom-Fit Contents

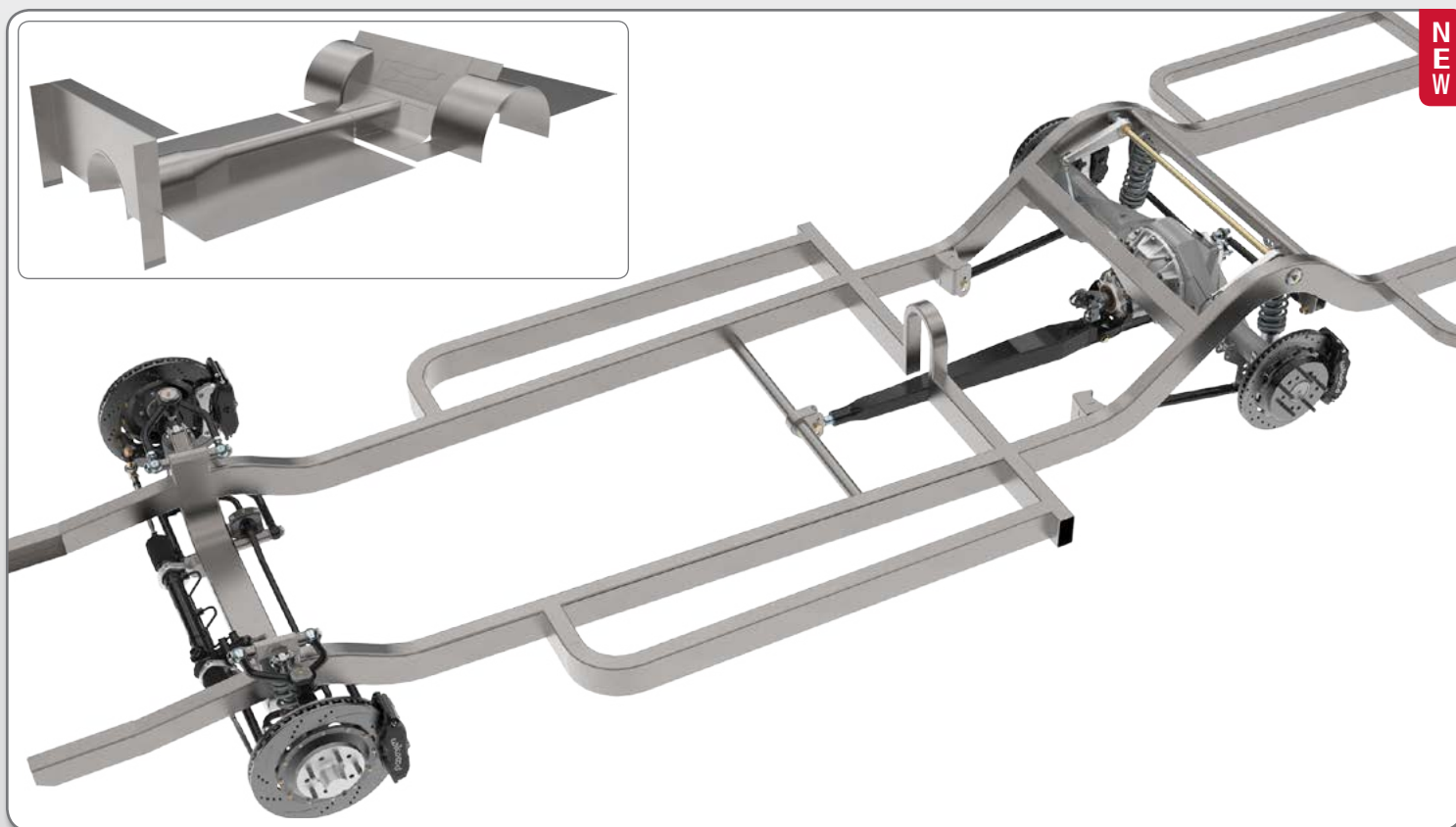
|   |           |
|---|-----------|
| <b>Full Frame Systems</b> .....                   | <b>5</b>  |
| Floor and Firewall Kit.....                       | 6         |
| Engine and Transmission Mounts.....               | 7         |
| Frame Accessories.....                            | 7         |
| Front Frame Clips and Crossmembers.....           | 8         |
| Front Suspension Systems.....                     | 8         |
| Shock Absorbers.....                              | 9         |
| Spindles and Brakes.....                          | 9         |
| Steering Components.....                          | 10        |
| Front Suspension A-Arms.....                      | 10        |
| Anti-Roll Bars, Front.....                        | 10        |
| <b>gStreet IRS Frame Clip or Full Frame</b> ..... | <b>12</b> |
| <b>Canted 4-Bar Rear Clip or Full Frame</b> ..... | <b>14</b> |
| <b>Torque Arm Rear Clip or Full Frame</b> .....   | <b>15</b> |
| <b>Parallel 4-Link Clip or Full Frame</b> .....   | <b>16</b> |
| <b>Ladder Bar Clip or Full Frame</b> .....        | <b>17</b> |



## Custom-Fit Full Frame System

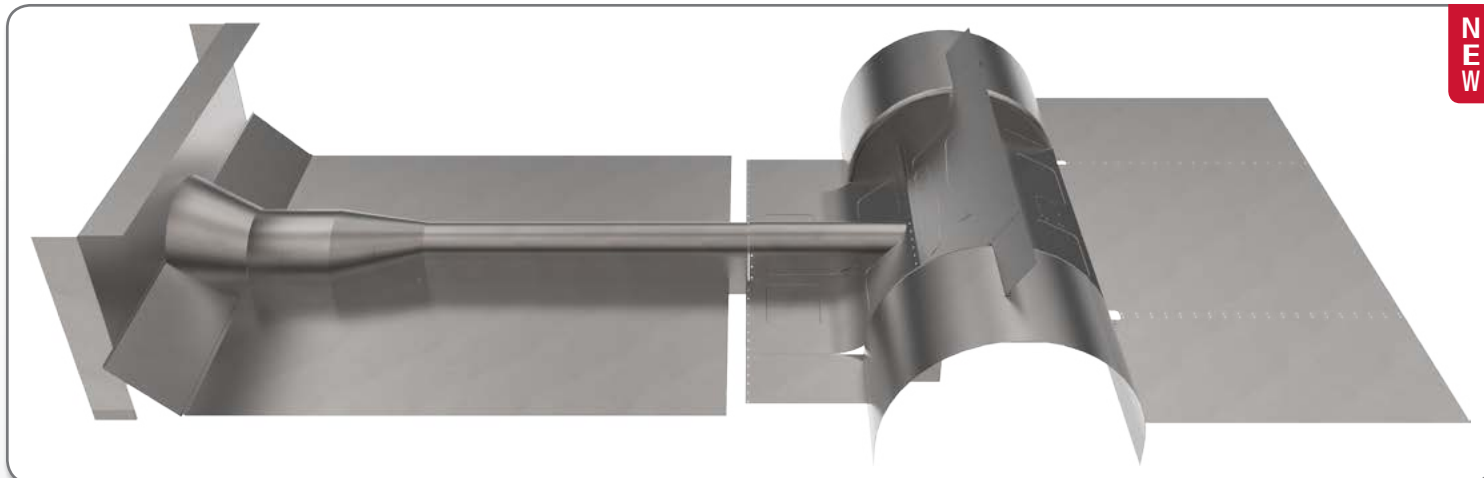


Perimeter-X Full Frames and Floor Kit

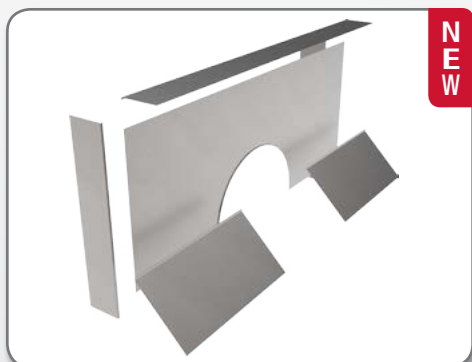


Straight-Rail Full Frames and Floor Kit

## Custom-Fit Floor and Firewall Kit



Complete Firewall and Floor System



Front Firewall Kit



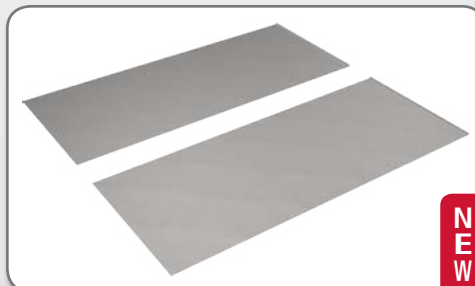
Manual Transmission Tunnel



Automatic Transmission Tunnel



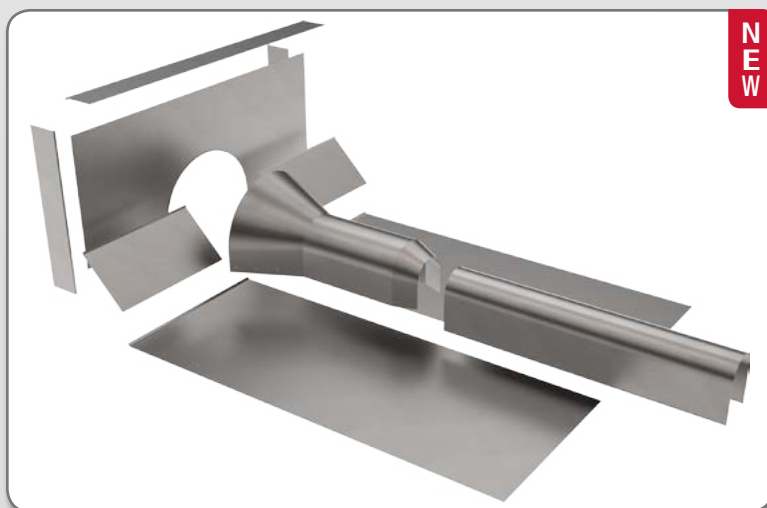
Driveshaft Tunnel



Front Floor Panels



Builder Wheel Tubs with Extensions



Front Firewall and Floor Kit



Rear Firewall and Floor Kit

## Engine and Transmission Mounts



Billet Aluminum (Chevy)



Welded Steel (Chevy, Ford)



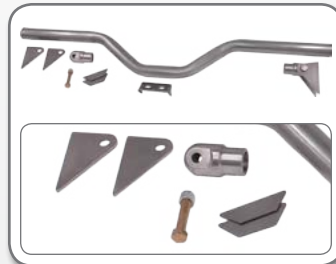
Steel (Pontiac V8)



Engine Mounts



Stainless Mount Spuds



Transmission Crossmember

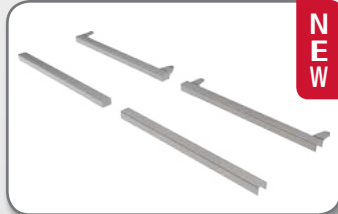


Poly Transmission Mount

## Frame Accessories



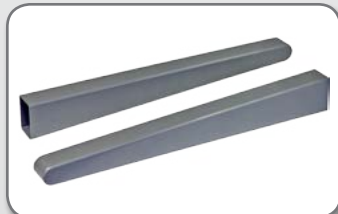
Running Board Drops



Seat Channels



Bumper-Mount Frame Horns



Tapered Frame Horns



Trunk Floor Outriggers



Driveshaft Half Loop



Driveshaft Loop



Exhaust Port Ring



Exhaust Port Tube

## Front Frame Clips and Crossmembers



Front Frame Clip (shown with g-Machine Suspension)



15 Crossmember Widths (24 to 38 inches)



2 Rail Styles (4-1/2" and 6" Ground Clearance)

## Front Suspension Systems



Ultimate Pro-Touring



g-Machine



Street Machine Air



Street Machine



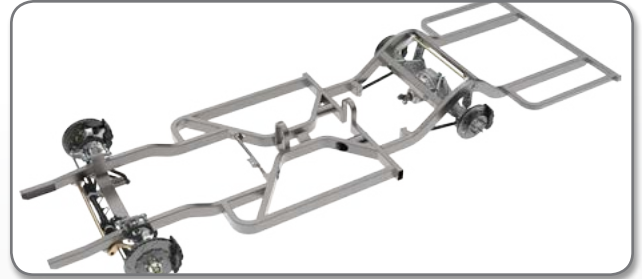
## Front Suspension Components for Custom-Fit Crossmembers, Clips and Full Frames



4x2" A-Arm Crossmember



4x2" A-Arm Front Clip



4x2" A-Arm Full Frame

## Shock Absorbers



Coil-Over Shocks



Remote Reservoir Coil-Overs



Air-Spring Shocks



Stainless Shock Spuds

## Spindles and Brakes



Billet Upright/Spindle



14" Rotor



15" Rotor



Sculpted Spindle



11-3/4" Rotor



13" Rotor



14" Rotor



Fabricated Drag Race Spindle



11-3/4" Lightweight Rotor



11-3/4" Vented Rotor

## Steering Components



Manual Rack



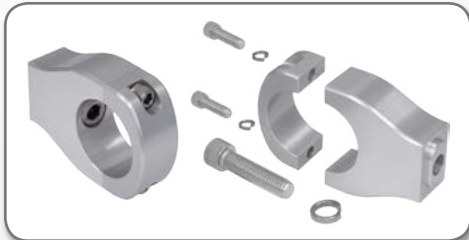
Power Rack



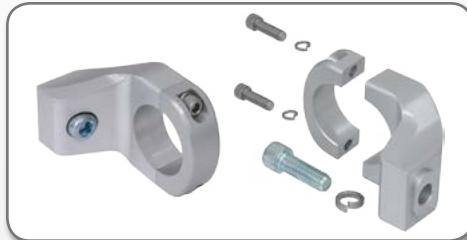
Tie Rod Sets



Bump Steer Tie Rods



Billet Manual Racks



Power Racks



Mustang II Rack Conversion

## Front Suspension A-Arms



Street-Machine (Bare)



Street-Machine (Painted)



g-Machine



Ultimate Pro-Touring

## Anti-Roll Bars, Front



Tubular ARBs



Splined Arm ARB



# The Perfect Solution...

## ...for enviable builds of unique vehicles

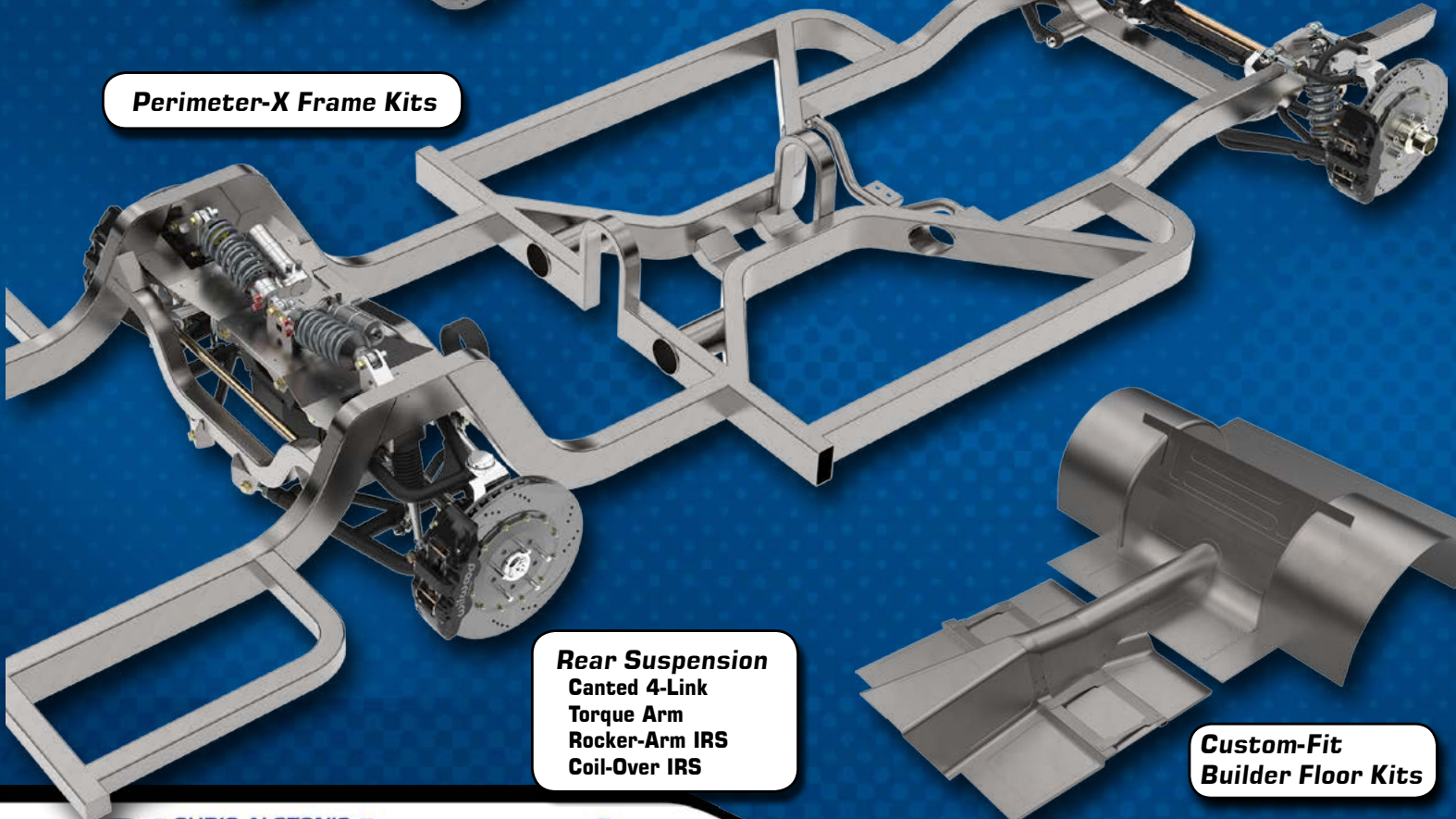
The Custom-Fit Builder Frame System from Chris Alston's Chassisworks is an extremely versatile engineering and construction approach. This technique enables Chassisworks to expertly prepare a sub-assembled kit or complete factory-welded frame, configured precisely to your build requirements. Front hub-to-hub width, ground clearance, wheelbase, and rear frame width can each be varied independently to create a correct fitting frame and vehicle stance for projects including g-machine/pro-touring muscle cars, street rods, custom street trucks, pro-street classics, and more. Versions for most cars and trucks available in Straight Rail or Perimeter-X frame style. Full compliment of additional components available; engine-, transmission- and seat mounts, transmission tunnels, floor kits, wheel tubs, gas tanks and suspensions.

**Straight Rail Frame Kits**



**Front Suspension**  
Street Machine to  
Ultimate Pro-Touring

**Perimeter-X Frame Kits**



**Rear Suspension**  
Canted 4-Link  
Torque Arm  
Rocker-Arm IRS  
Coil-Over IRS

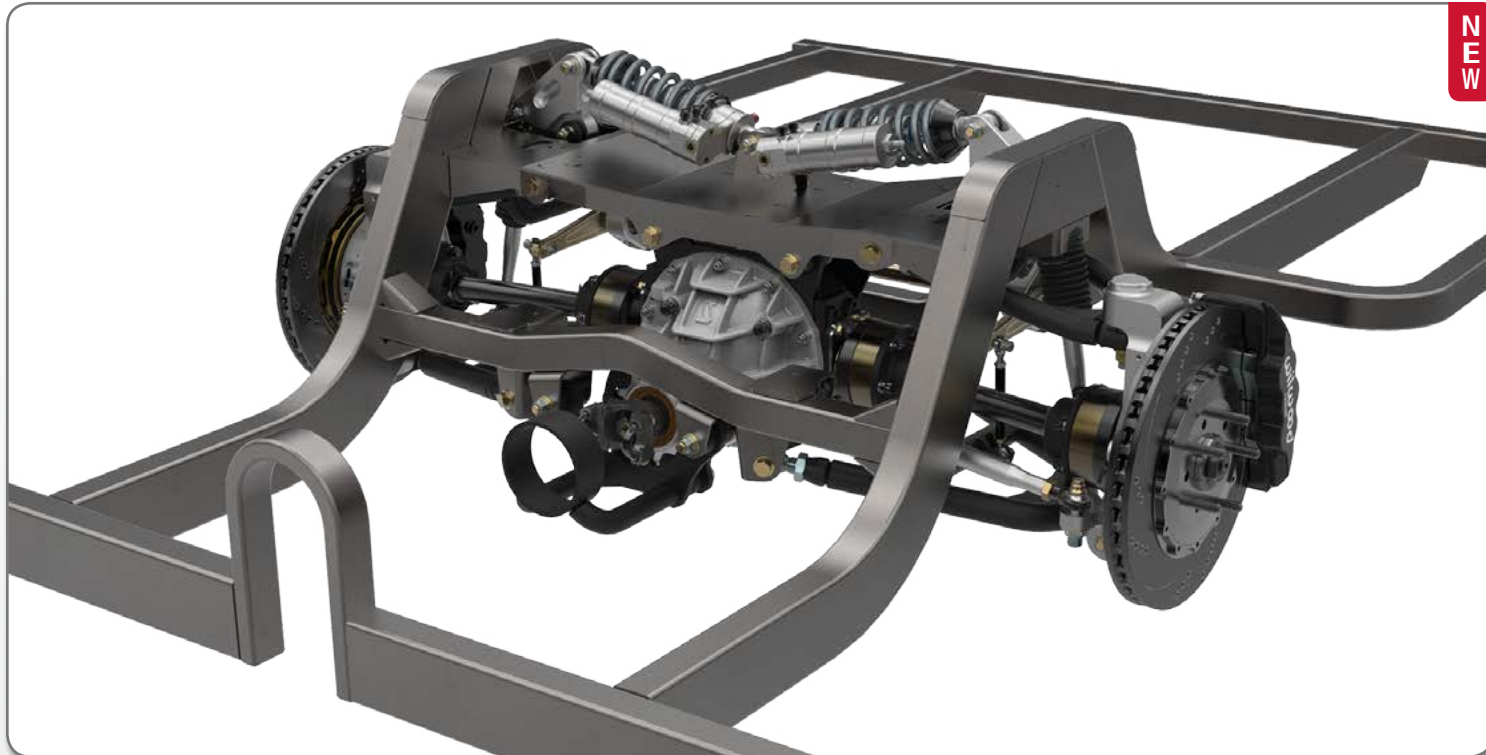
**Custom-Fit  
Builder Floor Kits**

CHRIS ALSTON'S  
**Chassisworks**  
CUSTOM FIT

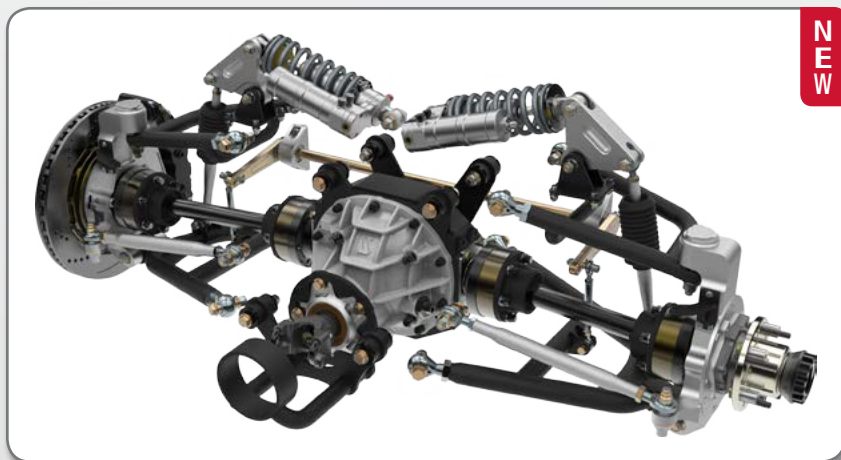
...MUCH MORE THAN JUST PRO-TOURING



## gStreet Independent Rear Suspension Frame Clip or Full Frame System



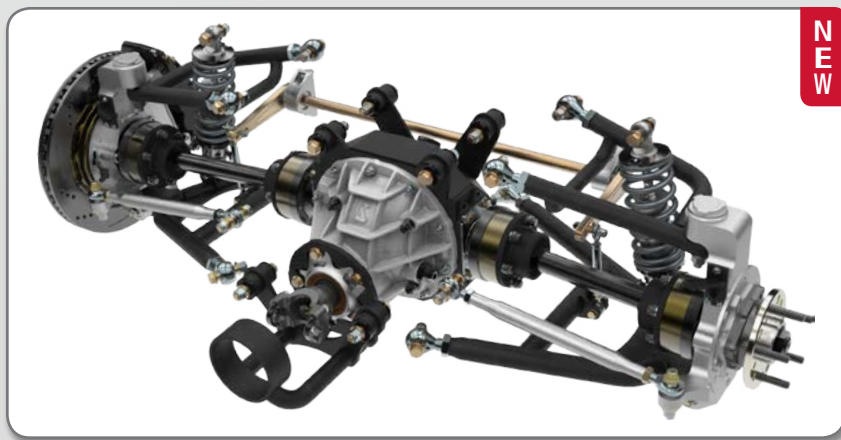
gStreet IRS Frame Clip with Rocker-Arm Suspension



Rocker-Arm IRS Assembly (Center-Lock Hub)



Rocker-Arm IRS (5-Lug Hub)



Coil-Over IRS Assembly (5-Lug Hub)



Coil-Over IRS (Center-lock Hub)

# Chassisworks Custom-Fit



Fits 345 and Larger Tires (345/30 on 20x13" shown)



Concise Component Packaging



**NEW**

Fabricated Ford 9" (FAB9) Center



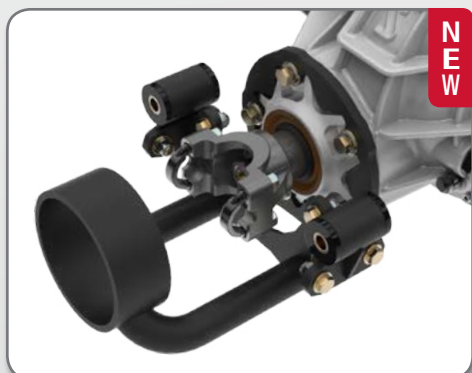
**NEW**

35-Spline Half-Shaft Assemblies



**NEW**

35-Spline Stub Shafts



**NEW**

Pinion Support with Drive Shaft Loop



**NEW**

Splined-End Anti-Roll Bar



**NEW**

Piggyback 4-Way Coil-Overs (Option)



**NEW**

Billet IRS Uprights



**NEW**

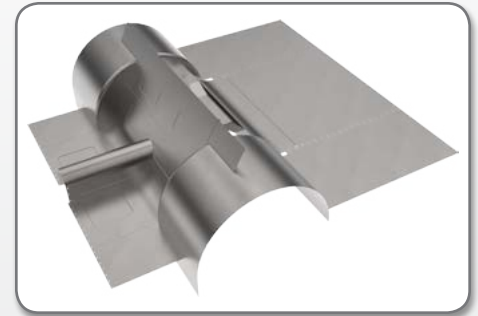
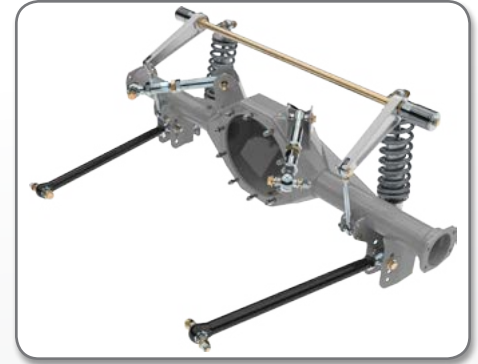
15" or 14", Integrated Parking Brake



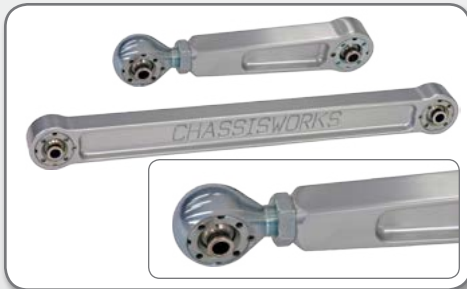
**NEW**

Rear Floor and Firewall

## Canted 4-Bar Rear Clip or Full Frame System



## Canted 4-Bar Suspension - Individual Components



Canted Billet Aluminum



Single-Adjustable Tubular



Double-Adjustable Tubular



Splined-Arm ARB



Upper Arm Weld Fixture



FAB9 Rear End Housing



Coil-Over Shocks



Remote Reservoir Coil-Overs

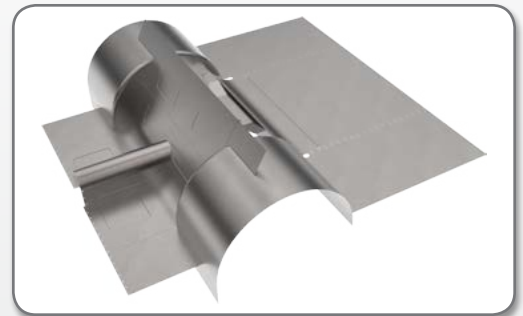
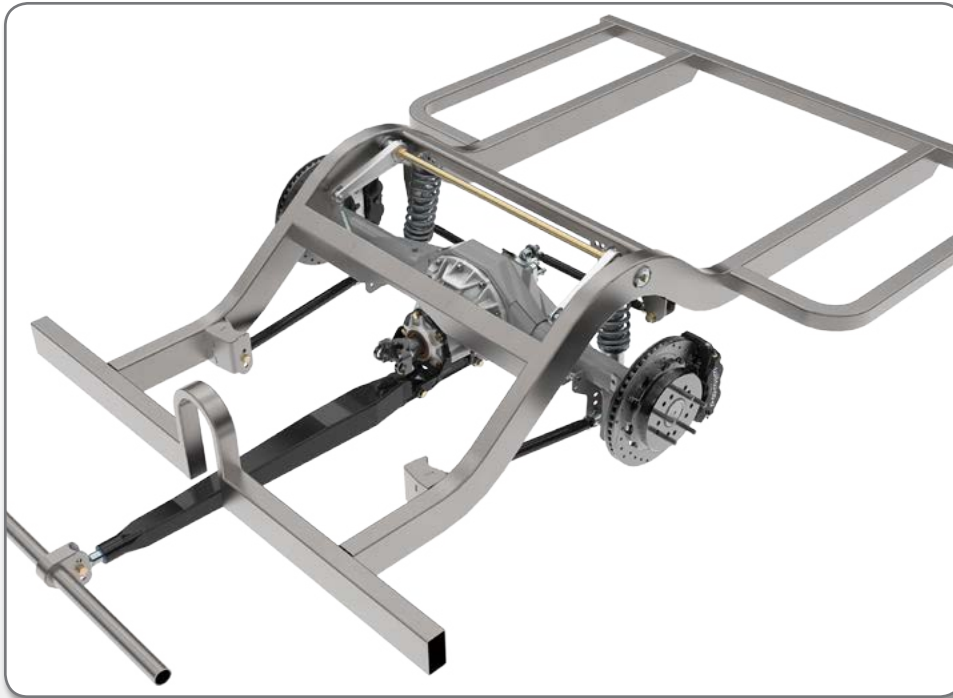


Air-Spring Shocks



Lower Shock Mount

## Torque Arm Rear Clip or Full Frame System



## Torque Arm Suspension - Individual Components



4130 Tubular Lower Links



Billet Aluminum Links



FAB9 Rear End Housing



Torque Arm



Torque Arm Mount



Watts Link Locater



Splined-Arm ARB



Coil-Over Shocks



Remote Reservoir Coil-Overs



Air-Spring Shocks

## Sportsman Parallel 4-Link Clip and Full Frame System



## Sportsman Parallel 4-Link Suspension - Individual Components



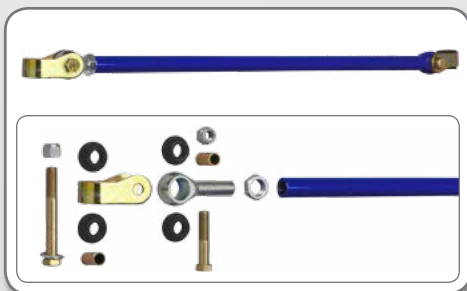
Billet Aluminum 4-Link



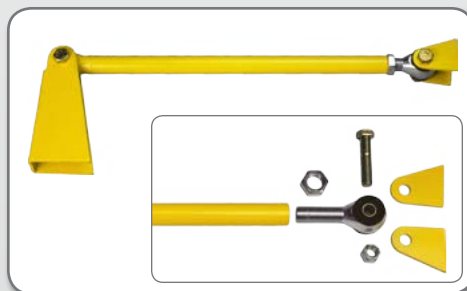
Pro Street 4-Link



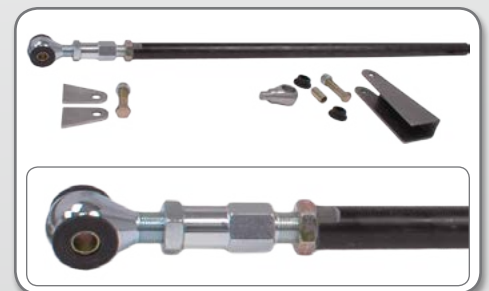
Pro Street FAB9 Housing



Poly Track Locator



Poly Panhard Bar



Double-Adjustable Panhard



Coil-Over Shocks



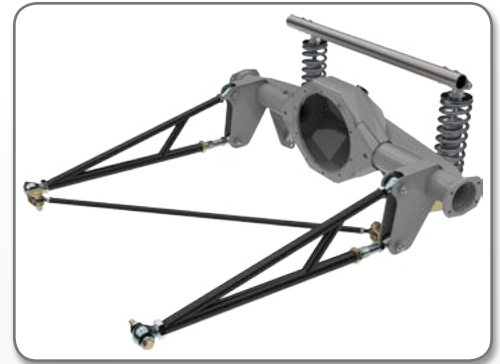
Remote Reservoir Coil-Overs



Air-Spring Shocks



## Sportsman Ladder Bar Clip and Full Frame System



## Sportsman Ladder Bar Suspension - Individual Components



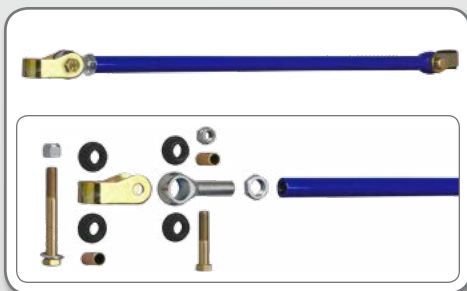
32" Poly-Eye



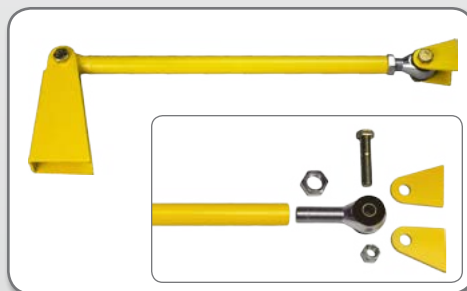
36" Poly-Eye



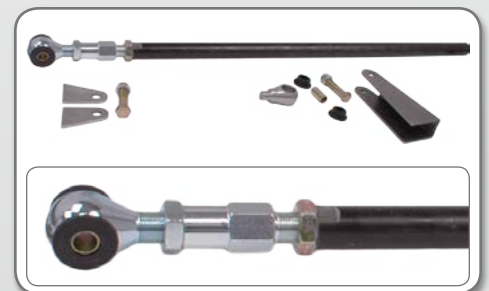
Pro Street FAB9 Housing



Poly Track Locator



Poly Panhard Bar



Double-Adjustable Panhard



Coil-Over Shocks



Remote Reservoir Coil-Overs



Air-Spring Shocks

CHRIS ALSTON'S  
**Chassisworks**  
PRO TOURING  
AND  
**GM MUSCLE CAR**

The Chassisworks Muscle Car product group strikes the right balance of acceleration, handling, and stopping power to serve Pro-Touring, g-Machine, and Restomod performance-handling applications. Bolt-on products and systems, universal custom-fit suspensions and chassis, and our exciting new gStreet Chassis System...

**Chassisworks has it!**



Look for items tagged **NEW** and **UPDATED** to see what we've been working on.

**NEW**

## Direct-Fit Bolt-Ons

- ✓ Popular Vehicle Platforms
- ✓ Broad Performance Range
- ✓ Products that Fit

## Direct-Fit Weld-In Solutions

- ✓ gStreet Modern Chassis System

## Custom-Fit Solutions

- ✓ Scalable Product Systems
- ✓ Custom-Fit Chassis Line

## Pro-Touring and GM Muscle Car Contents

### Frame Clips and Chassis (Weld-In)

|   |    |
|---|----|
| IRS Frame Clip - GM A-Body and F-Body.....                      | 19 |
| Chassis and Floor - '68-72 Chevelle (A-Body) .....              | 20 |
| Chassis and Floor - '67-69 Camaro, '70-81 Camaro (F-Body) ..... | 20 |
| Front Suspensions .....   | 21 |
| Rear Suspensions .....  | 21 |

### Front Frame Clips (Bolt-On)

|   |    |
|---|----|
| Front Clip System - '67-81 Camaro, '68-72 Nova..... | 22 |
| Front Clip System - '62-67 Chevy II / Nova .....    | 23 |
| Front Suspension Systems .....                      | 24 |
| Control Arm Sets .....                              | 24 |
| Steering Components.....                            | 24 |
| Shock Absorbers.....                                | 25 |
| Spindles and Brakes .....                           | 25 |
| Anti-Roll Bars, Front .....                         | 25 |

### Rear Suspension

|  |    |
|--|----|
| Torque Arm - '67-81 Camaro, '62-72 Nova, '64-72 Chevelle.....  | 26 |
| Torque Arm System - '82-02 Camaro (F-Body) .....               | 26 |
| Torque Arm System (Custom-Fit) .....                           | 26 |
| g-Bar 4-Link Rear Suspensions.....                             | 27 |
| OEM 4-Link Coil-Over Systems - '64-72 Chevelle (A-Body) .....  | 28 |
| OEM 4-Link Air-Spring Systems - '64-72 Chevelle (A-Body) ..... | 28 |
| Power-Link - '64-72 A-Body, '78-87 G-Body, '79-04 Mustang..... | 28 |
| OEM-Style Systems - '64-72 A-Body, '78-87 G-Body .....         | 28 |
| Coil-Over and Air-Spring Conversions .....                     | 28 |
| Rear Control Arms and Bushings.....                            | 29 |
| Rear Disc Parking Brake Kits .....                             | 29 |
| Rear Anti-Roll Bars.....                                       | 30 |
| Shock & ARB System.....  | 30 |
| FAB9™ Rearend Housings.....                                    | 30 |
| Rearend - Individual Components.....                           | 30 |

### Front Suspension

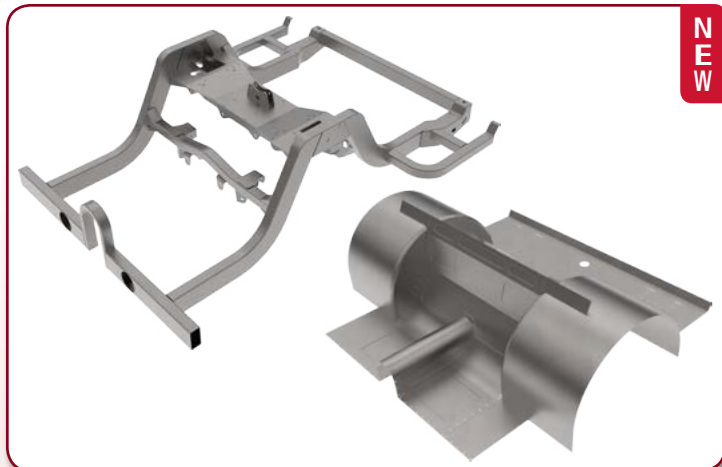
|  |    |
|--|----|
| Complete Systems (Bolt-On) .....       | 31 |
| Individual Components .....            | 31 |
| Billet Aluminum Spindles .....         | 32 |
| Forged Spindles and Hardware .....     | 32 |
| Power Steering Pump Kits.....          | 33 |
| Steering Gearbox .....                 | 33 |
| Steering U-Joints.....                 | 33 |
| Tie Rod and Bump Steer Components..... | 33 |
| Shock & ARB System.....                | 33 |
| Front Disc Brake Kits .....            | 33 |

### Chassis Components (Direct-Fit)

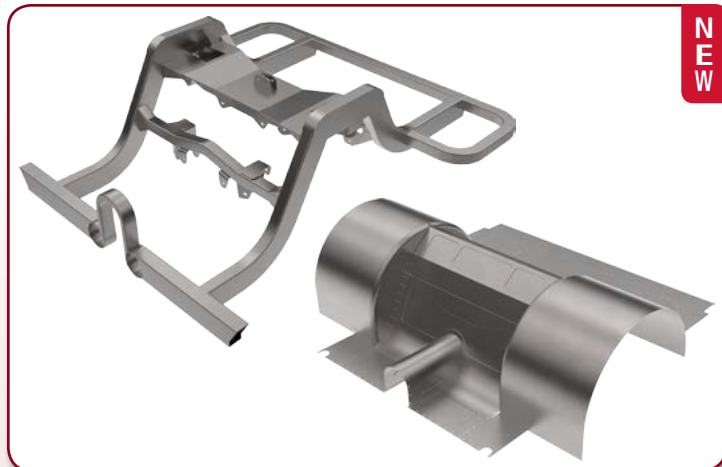
|                                    |    |
|------------------------------------|----|
| Billet Accessories.....            | 34 |
| Exact-Fit Roll Bars and Cages..... | 34 |
| Roll Bars and Cage Components..... | 34 |
| Subframe g-Connector Systems ..... | 35 |
| Transmission Crossmembers .....    | 35 |
| Motor Mounts.....                  | 35 |
| Wheel Tubs and Accessories.....    | 35 |

# Chassisworks Pro Touring

## Direct-Fit IRS Frame Clip and Floor Systems - GM A-Body and F-Body



Frame Clip and Floor Kit - '64-72 Chevelle (A-Body)



Frame Clip and Floor Kit - '67-81 Camaro (F-Body)



Rocker-Arm IRS with Center-Lock Hub



345/30R-20 shown



Fabricated Ford 9" Center



Pinion Support Loop



35-Spline Hy-Tuf Shaft



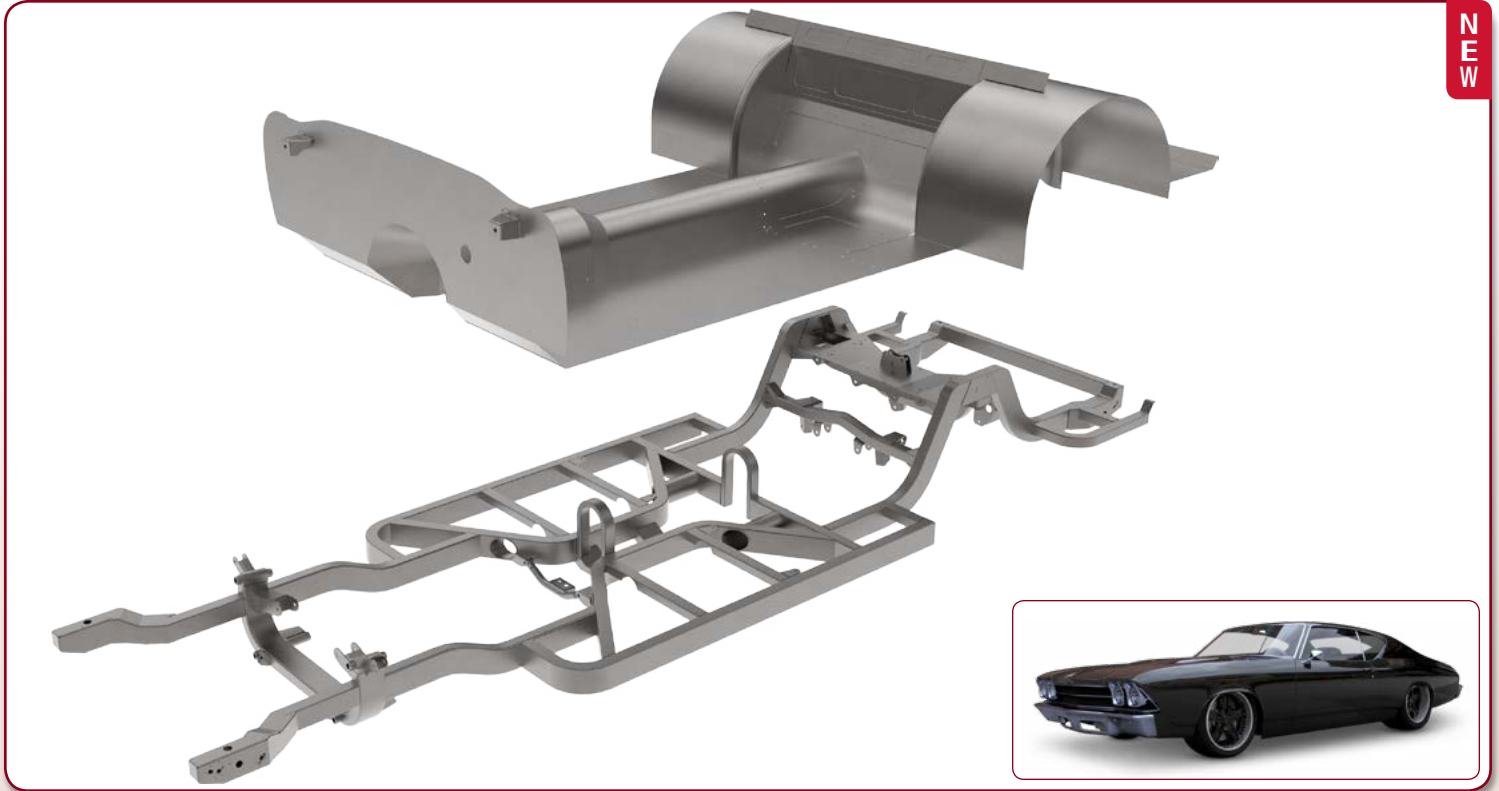
Billet Uprights



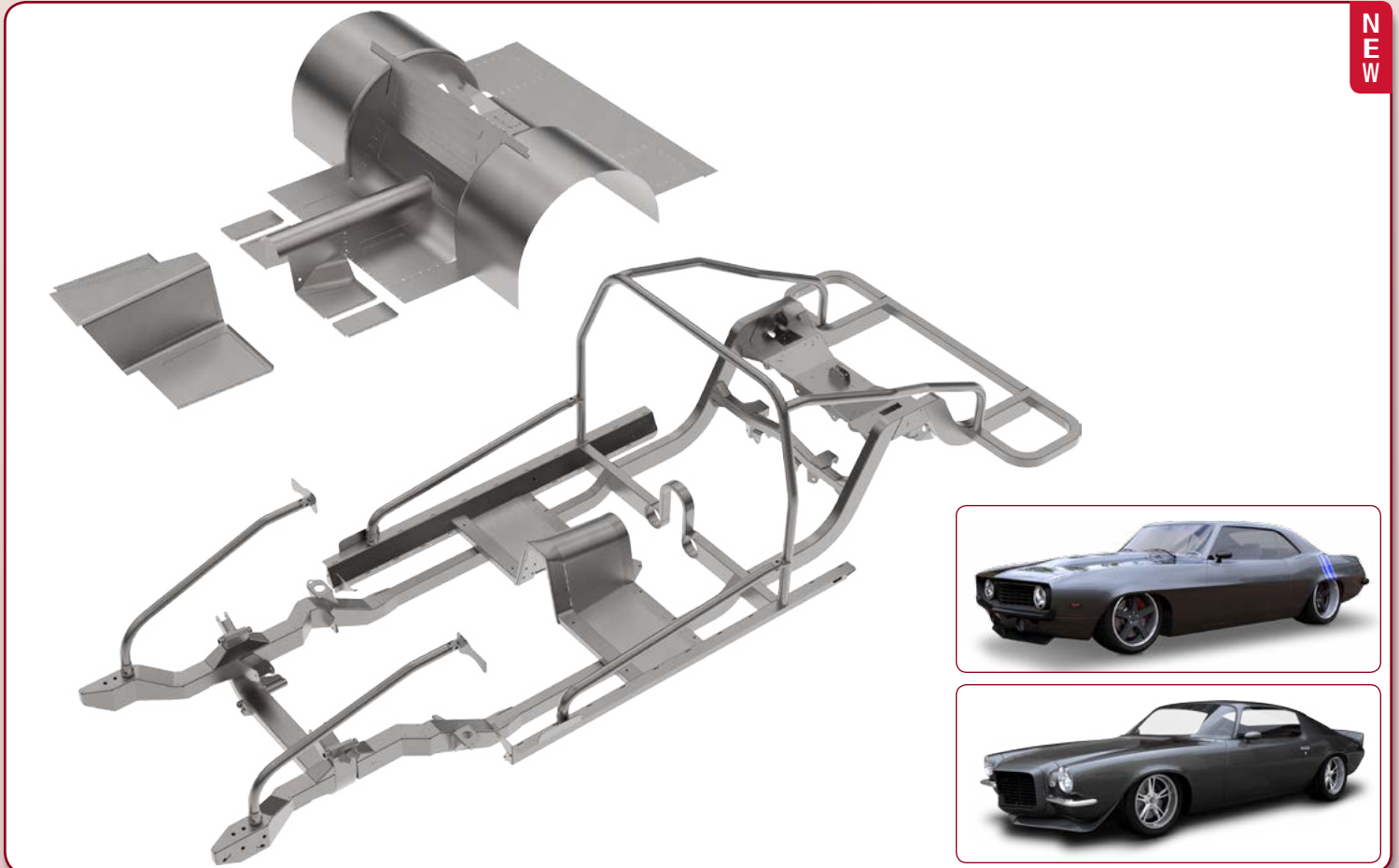
15" or 14" with Parking Brake

# Chassisworks Pro Touring

## Direct-Fit Chassis and Floor System - '68-72 Chevelle (A-Body)



## Direct-Fit Chassis and Floor System - '67-69 Camaro, '70-81 Camaro (F-Body)



## Direct-Fit Chassis - Front Suspensions



Ultimate Pro-Touring



g-Machine

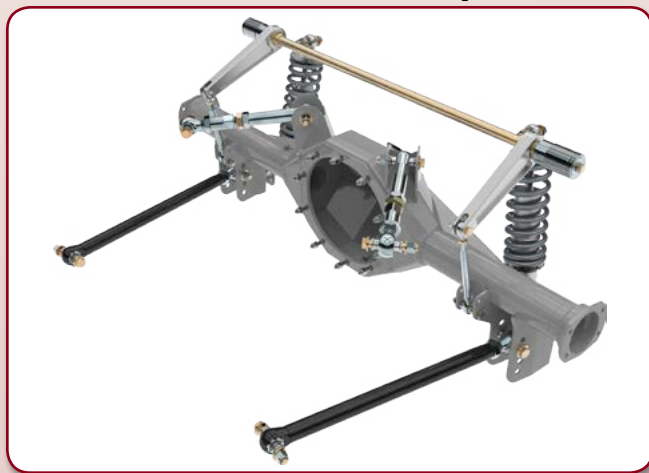


Street-Machine (Painted)



Street-Machine (Bare)

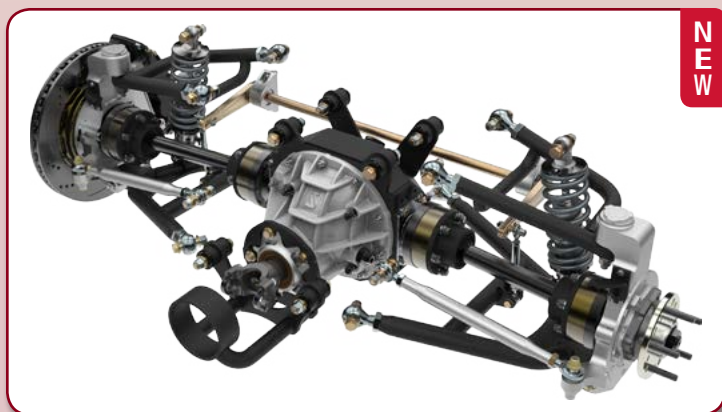
## Direct-Fit Chassis - Rear Suspensions



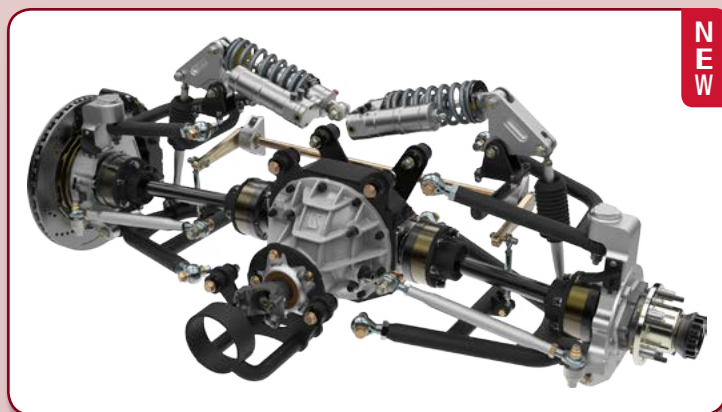
Canted 4-Link



Torque-Arm Watts-Link



Coil-Over IRS



Rocker-Arm IRS

# Chassisworks Pro Touring

## Front Bolt-On Clip System - '67-81 Camaro, '68-72 Nova



'67-69 Camaro (F-Body), '70-81 Camaro (F-Body), '68-72 Nova (X-Body)

## Suspension Packages



Street Machine



Street Machine Air



g-Machine

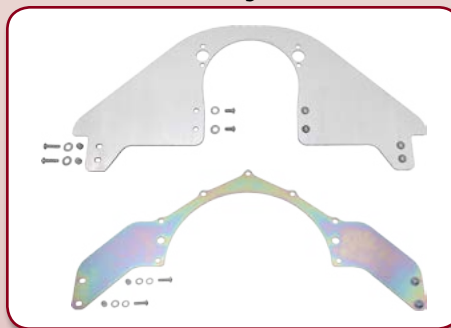


Ultimate Pro-Touring

## Clip Year Specific Components - '67-81 Camaro (F-Body), '68-72 Nova (X-Body)



Subframe Connector System



Motor and Mid Plates



Inner Fender Splash Flaps



Transmission Crossmembers



Steering Shaft Kits



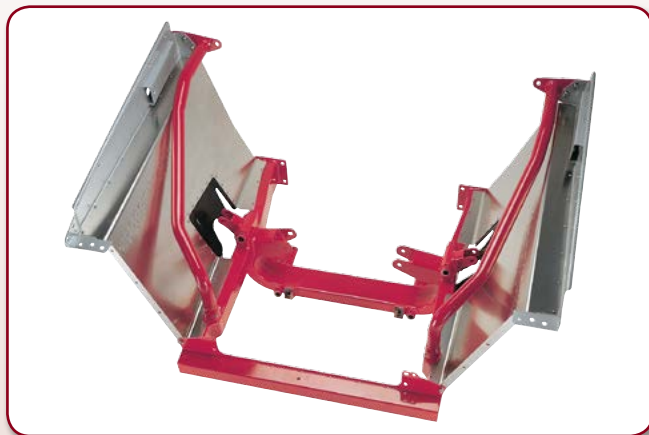
Clutch Cross Shaft Mount



Alignment Pin

# Chassisworks Pro Touring

## Front Bolt-On Clip System - '62-67 Chevy II / Nova



## Suspension Packages



Street Machine



Street Machine Air



g-Machine



Ultimate Pro-Touring

## Clip Year Specific Components - '62-67 Chevy II / Nova



Subframe Connector System



Inner Fender Panels



Hood Hinge Mount Supports



Motor and Mid Plates



Transmission Crossmember

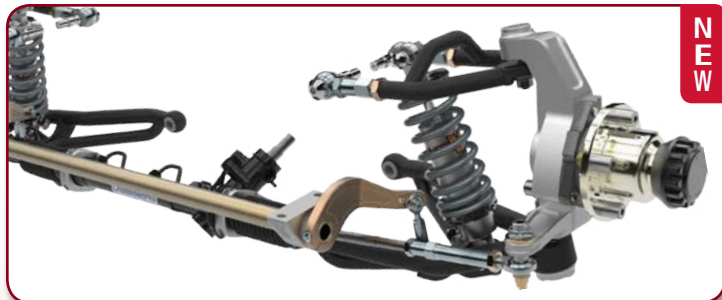


Steering Column Support



Steering Shaft Kits

## Front Suspension Systems



Ultimate Pro-Touring



g-Machine



Street-Machine (Painted)



Street-Machine (Bare)

## Control Arm Sets



Street-Machine (Bare)



Street-Machine (Painted)



g-Machine



Ultimate Pro-Touring

## Steering Components



Manual Rack



Power Rack



Tie Rod Sets



Bump Steer Tie Rods



Billet Manual Racks



Power Racks



Mustang II Rack Conversion



## Shock Absorbers



Coil-Over Shocks



Remote Reservoir Coil-Overs



Air-Spring Shocks



Stainless Shock Spuds

## Spindles and Brakes



Billet Upright/Spindle



Sculpted Spindle



## Anti-Roll Bars, Front



Tubular ARBs



Splined Arm ARB

## Torque Arm Suspension (Direct-Fit) - '67-81 Camaro (F-Body), '62-72 Nova, '64-72 Chevelle



Torque Arm Suspension



g-Connectors w/ Crossmember



Torque Arm FAB9 Housing



Splined End ARB

## Torque Arm System (Direct-Fit) - '82-02 Camaro (F-Body)



Torque Arm



Torque Arm Crossmember



PRO Torque Arm Axle Mount



OEM Torque Arm Axle Mount



PRO Panhard Bar



'82-92 Torque Arm FAB9



'93-02 Torque Arm FAB9

## Torque Arm System (Custom-Fit)



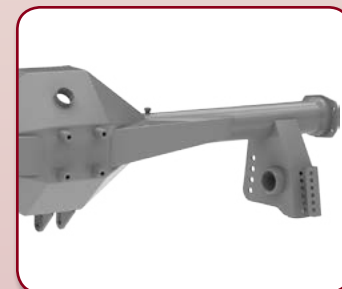
Torque Arm System



Torque Arm Crossmember



Fabricated Torque Arm



Torque Arm FAB9



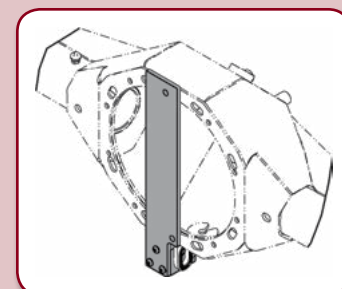
Watts Link (Custom-Fit)



Panhard Bar (Custom-Fit)



Anti-Roll Bar (Custom-Fit)



Torque Arm Weld Fixture

## g-Bar 4-Link Rear Suspension - Complete Systems



g-Bar (Poly) Coil-Over



g-Link (Pivot) Coil-Over



Billet g-Link (Pivot) Coil-Over



'70-81 Camaro g-Link Clip



g-Bar (Poly) Air-Spring



g-Link (Pivot) Air-Spring



Billet g-Link (Pivot) Air-Spring



g-Bar Suspension Guide

## g-Bar Suspension - Individual Components



g-Bar Sliding Link ARB



g-Bar Splined End ARB



Upper Arm Weld Fixture



g-Bar FAB9 Housings

## g-Bar Suspension - Shocks



Coil-Over Shocks



Remote Reservoir Coil-Overs



Air-Spring Shocks

## OEM 4-Link Coil-Over Conversion Systems - '64-72 Chevelle (A-Body)



g-Bar (Poly) Coil-Over



Billet g-Bar (Poly) Coil-Over

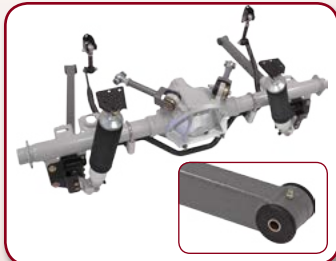


g-Link (Pivot) Coil-Over

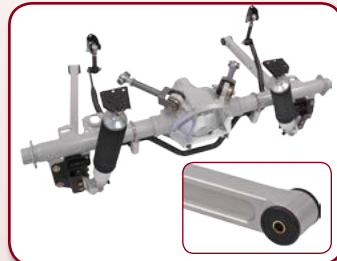


Billet g-Link (Pivot) Coil-Over

## OEM 4-Link Air-Spring Conversion Systems - '64-72 Chevelle (A-Body)



g-Bar (Poly) Air-Spring



Billet g-Bar (Poly) Air-Spring



g-Link (Pivot) Air-Spring



Billet g-Link (Pivot) Air-Spring

## Power-Link and Competition Moly Systems - '64-72 Chevelle, '78-87 Monte Carlo, '79-04 Mustang



Smooth Body (A-, G-Body)



Coil-Over (A-Body)



Coil-Over ('79-04 Mustang)

## OEM-Style Systems - '64-72 Chevelle (A-Body), '78-87 Monte Carlo (G-Body)



g-Bar (Poly)



Billet g-Bar (Poly)



g-Link (Pivot)



Billet g-Link (Pivot)

## Coil-Over and Air-Spring Conversions - '64-72 Chevelle (A-Body), '79-04 Mustang



Bolt-On Coil-Over (A-Body)



Weld-In Coil-Over (A-Body)



Bolt-On Air-Spring (A-Body)



Coil-Over ('79-04 Mustang)

## Rear Poly Control Arms - '64-72 A-Body, '78-87 G-Body, '82-02 F-Body



g-Bar (Poly) Upper



g-Bar (Poly) Lower



Billet g-Bar (Poly) Lower

## Rear Pivotball Control Arms - '64-72 A-Body, '78-87 G-Body, '82-02 F-Body



g-Link (Pivot) Upper



g-Link (Pivot) Lower



Billet g-Link (Pivot) Lower

## Rear Rod-End Control Arms - '64-72 A-Body, '78-87 G-Body, '79-04 Mustang



Competition Moly Upper



Competition Moly Lower



Pro Power Upper



Pro Power Lower

## Rear Control Arm - Individual Components - '64-72 A-Body, '78-87 G-Body



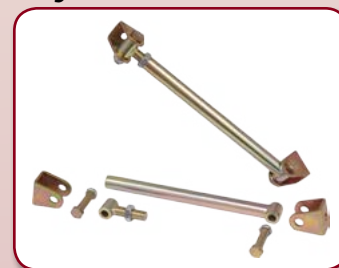
Control Arm Bushings



UCA Housing Bushings



UCA Housing Bearings



Control Arm Brace

## Rear Disc Parking Brake Kits



11" Rotor



12.19" Rotor



13" Rotor



14" Rotor

## Rear Anti-Roll Bars



Control Arm Mount



Solid-Bar Axle Mount



Tubular-Bar Axle Mount



Splined-Arm Housing Mount

## Shock & ARB System



Popular GM Cars

## Rearend - Individual Components



ST Iron Package



HD Pro Aluminum



Housing Ends



Pro-Touring Floater Axle



Brake Kit for Floater Axle



Street Axle Packages



Wheel Studs

## FAB9™ Rearend Housings



g-Bar 4-Link



Leaf Spring



OE 4-Link - Poly UCA



OE 4-Link - COM-12 UCA

## Rearend Narrowing Jig System



Ford 9" Narrowing Jig



Rearend Narrowing Jig



Pinion Center-Line Gauge



Pro-Touring Floater Adapter

## Front Suspension (Bolt-On) - Complete Systems



Coil-Over Suspension



Coil-Spring Suspension



Air-Spring Suspension



Air-Bag Suspension



## Front Suspension (Bolt-On) - Individual Components



Billet Aluminum Spindles



Forged Spindles



Billet ARB Mounts



Pivotball ARB Endlinks



Steel Strap ARB Mounts



Poly ARB Endlinks



Anti-Roll Bars



Upper A-Arms



VariShock Bolt-Ins



A-Arm Front Coil-Overs



Coil-Over Lower Arms



Coil-Spring Lower Arms

# Chassisworks Pro Touring

## Billet Aluminum Spindles - A-Body '64-72 Chevelle, F-Body '67-69 Camaro, X-Body '68-72 Nova



NEW



Spindles - 2" Drop



Spindles - Stock Height



A-Body Steering Arms



F-Body Steering Arms

## Forged Spindles and Hardware - '55-88 GM Passenger Cars, Mustang II



A, F, X-Body - Stock Height



A, F, X-Body - 2" Drop



A, F, X-Body - 2" Drop Tall



'70-78 F-Body - 2" Drop



'79-81 F-Body - 2" Drop



'79-88 G-Body - 2" Drop



'55-57 Chevy - 2" Drop



'58-64 Impala - 2" Drop



'65-70 Impala - 2" Drop



Mustang II - Stock Height



GM Spindles - 3/4" -20



Ford Spindles - 13/16" -20



## Power Steering Pump Kits



Remote Reservoir



Integrated Reservoir

## Steering Gearbox



Power Gearbox Cap, Fittings

## Steering U-Joints



Steel U-Joint



Dual U-Joint



Isolater U-Joint



GM Rag Joint Adapter

## Tie Rod and Bump Steer Components



Tie Rod Sets



Adjuster Sleeves



Bump Steer Tie Rods

## Shock & ARB System



Popular GM and Ford

## Front Disc Brake Kits



Wilwood Brake Kits



OEM Brake & Spindle Kits

## Billet Accessories



Hood Hinges



Hood Pins

## Exact-Fit Roll Bars and Cages - Complete Systems



Roll Bar



Forward Struts



Complete Cage



Removable Harness Bar

## Exact-Fit Roll Bars and Cages - Optional Components



Roll Bar Removable Sidebar



Roll Bar Removable Back Brace



Cage Removable Sidebar



Cage Removable Back Brace



Stainless Spud Hardware



Quick-Release Lock Pin

## Roll Bar and Cage - Fabrication Components



Gemini Tube Connectors



Roll Cage Gusset (8-Pack)



6x6 Floor Plates (4-Pack)



6x6 Floor Plates (6-Pack)

## Subframe g-Connector Systems and Individual Components



g-Connector Systems



Subframe Connectors



Connector Supports



OE Camaro Adapters



Driveshaft Loops



Billet Body Bushings



Urethane Body Bushings



Camaro Clip Alignment Pin

## Transmission Crossmembers and Individual Components



'67-69 Camaro , 68-72 Nova



'70-81 Camaro



Poly Transmission Mount



Raised Trans Tunnel Cap

## Direct-Fit Aluminum and Steel Motor Mounts - A-, F-, and X-Bodies



BB/SB Chevy & Pontiac V8

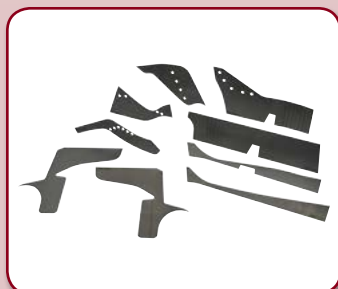


LS-Series

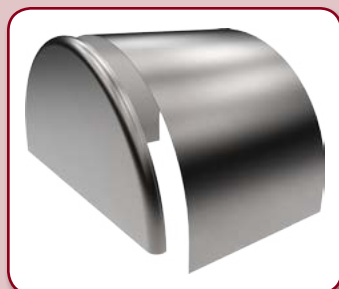
## Wheel Tubs and Accessories



Mini Wheel Tubs



Mini Tub Frame Closeouts



Builder Wheel Tubs

# Total Control Products



Total Control Products (TCP) began improving Mustang suspension and steering in 1995. Since the product line's inception, we have strived to offer the highest quality suspension and steering components available for early-model Mustangs, Cougars, Comets and Falcons. TCP's goal is performance, quality and easy installation without compromising the originality of your car.



## Total Control Products Contents

|  |           |
|--|-----------|
| Rear Frame Clips.....                      | 37        |
| <b>g-Street Chassis System</b> .....       | <b>38</b> |
| Front Suspensions .....                    | 39        |
| Rear Suspensions .....                     | 39        |
| <b>Rear Suspension</b>                     |           |
| Mini-Tub Leaf-Spring Systems .....         | 40        |
| Mini-Tub g-Link Systems .....              | 41        |
| g-Bar and g-Link Systems.....              | 42        |
| Pushrod Torque Arm System.....             | 43        |
| Torque Arm Components.....                 | 43        |
| Leaf Spring Systems .....                  | 44        |
| Leaf Spring Components .....               | 44        |
| <b>Front Suspension</b>                    |           |
| Frame Clip System (Weld-In) .....          | 45        |
| Transmission Crossmember (Weld-In) .....   | 45        |
| Suspension Systems .....                   | 46        |
| Suspension Components.....                 | 46        |
| Anti-Roll Bars and Components .....        | 47        |
| Coil-Spring Suspension Components.....     | 47        |
| <b>Steering</b>                            |           |
| Manual Rack and Pinion Systems .....       | 47        |
| Power Rack and Pinion Systems.....         | 47        |
| Rack and Pinion Components .....           | 47        |
| Power Steering Pumps .....                 | 48        |
| Power Steering Plumbing.....               | 48        |
| Power Steering Pump Brackets .....         | 48        |
| Spindles and Hardware .....                | 48        |
| Tie Rod and Bump Steer Sets .....          | 48        |
| <b>Chassis</b>                             |           |
| Chassis Stiffening - Complete Systems..... | 49        |
| Subframe Connector Components .....        | 49        |
| Tower Brace Components .....               | 49        |
| Billet Accessories.....                    | 49        |
| Motor Mounts.....                          | 50        |
| Transmission Crossmember (Weld-In) .....   | 50        |
| Rearend - Individual Components.....       | 50        |
| Wheel Tubs and Accessories.....            | 51        |
| FAB9™ Rearend Housings.....                | 51        |
| Rear Disc Parking Brake Kits .....         | 51        |

Look for items tagged **NEW** and **UPDATED** to see what we've been working on.

**NEW**

## TCP - The Smart Choice

- ✓ '60s - '70s Ford/Mercury Mustang, Cougar, Falcon, Fairlane, Maverick and related models
- ✓ **Great Products that Fit**
- ✓ **Complete Solution**  
Largest suspension, steering and chassis product line in our market
- ✓ **Broad Performance Range**
- ✓ **Premier Brand**  
For over two decades TCP has proudly maintained its position as the top-tier performance brand in the early Mustang market

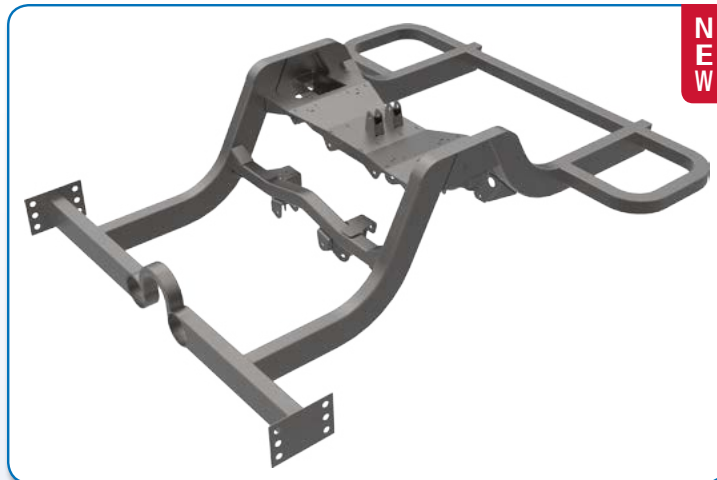


## IRS Frame Clip for TCP and OEM Front Clips - '64-70 Mustang



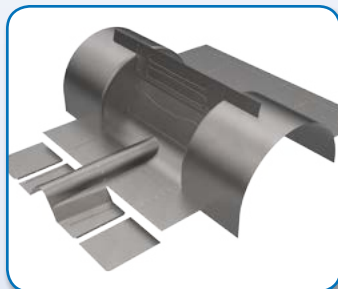
NEW

Rocker-Arm or Traditional Coil-Over Suspension



NEW

Mustang IRS Frame Clip



IRS Tin Kit



IRS Billet Uprights



14 or 15" with Parking Brake



Ford 9" Center; 35-Spline

## Canted 4-Link and Torque Arm Frame Clips for TCP and OEM Front Clips



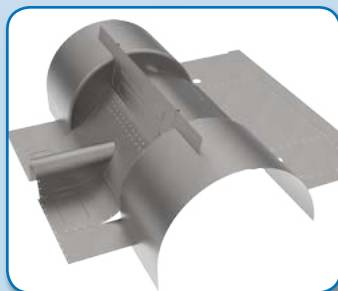
NEW

Canted 4-Link Coil-Over Suspension



NEW

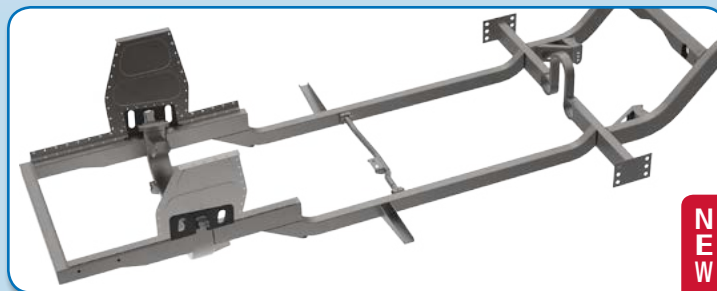
Torque Arm with Watts Link Coil-Over Suspension



Tin Kit



Fabricated Ford 9"



NEW

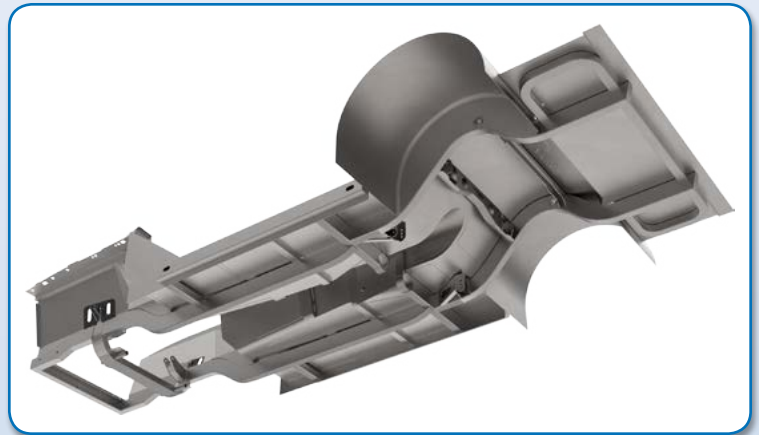
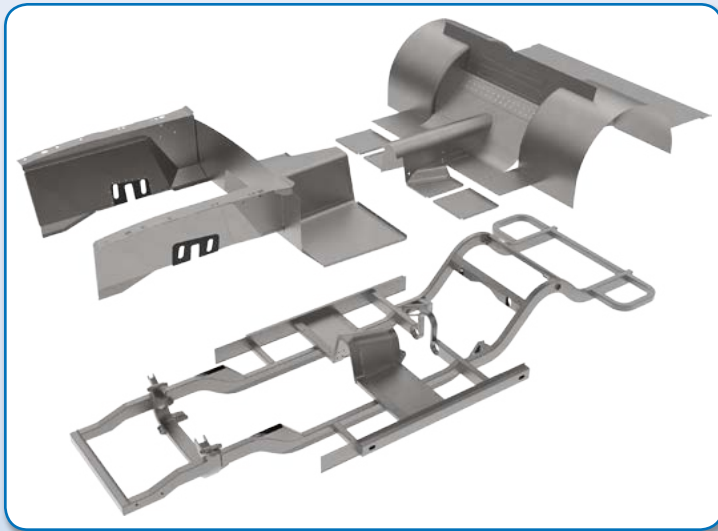
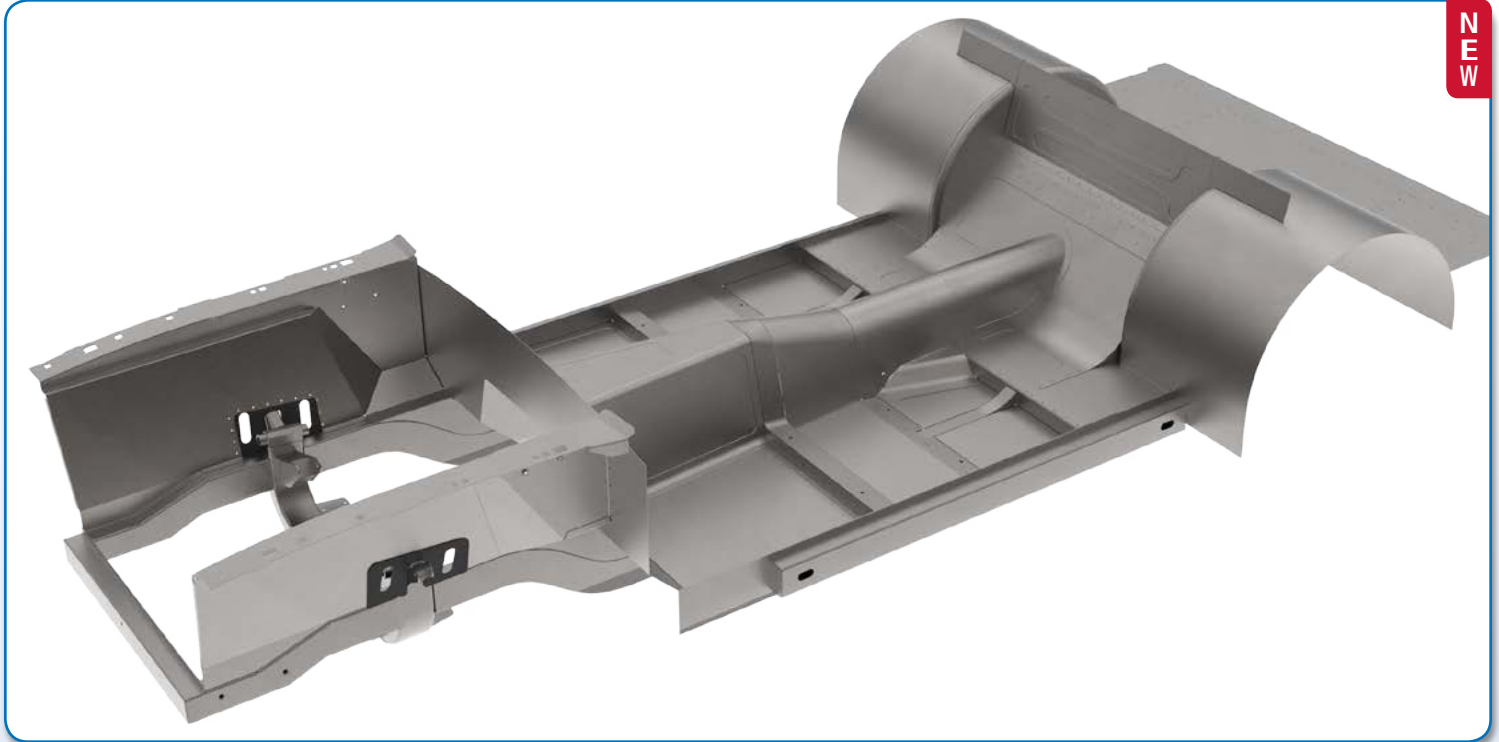
3x2" Frame Connectors (4-Link, Torque Arm, IRS)

# Total Control Products



## Direct-Fit g-Street Chassis System - '64-70 Mustang

NEW



## Direct-Fit Chassis - Front Suspensions



Ultimate Pro-Touring



g-Machine

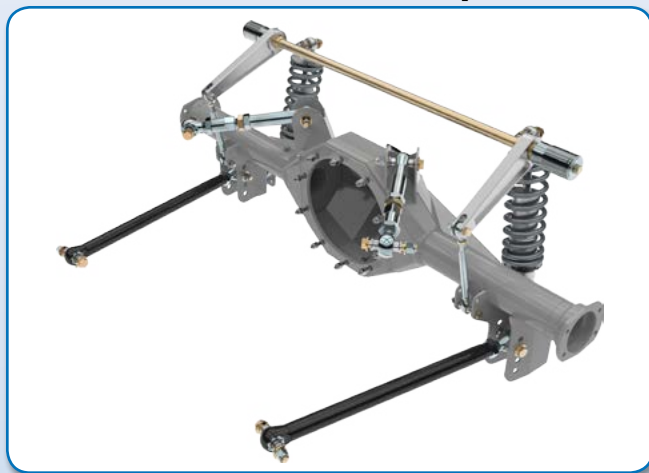


Street-Machine (Painted)



Street-Machine (Bare)

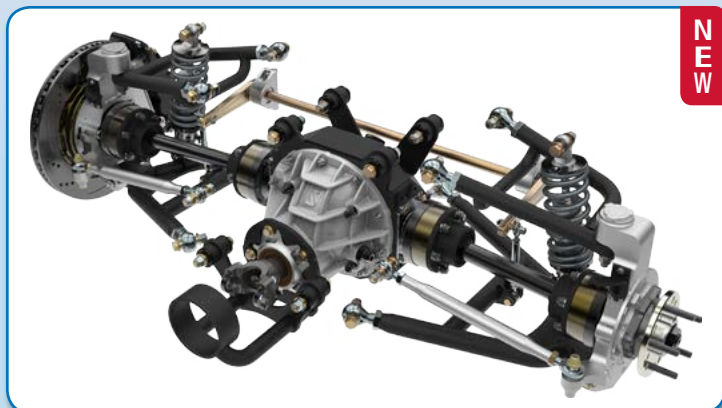
## Direct-Fit Chassis - Rear Suspensions



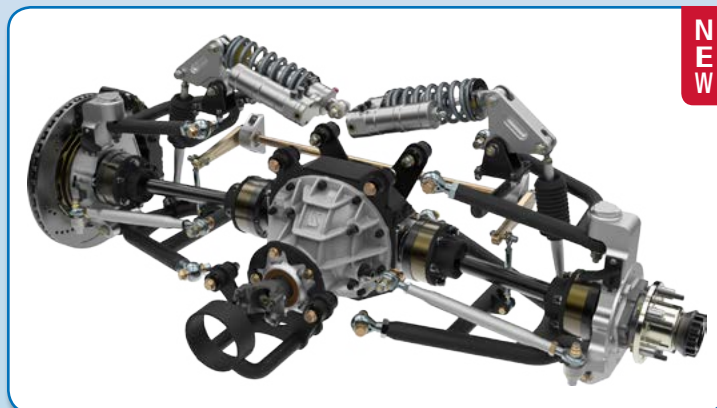
Canted 4-Link



Torque-Arm Watts-Link



Coil-Over IRS

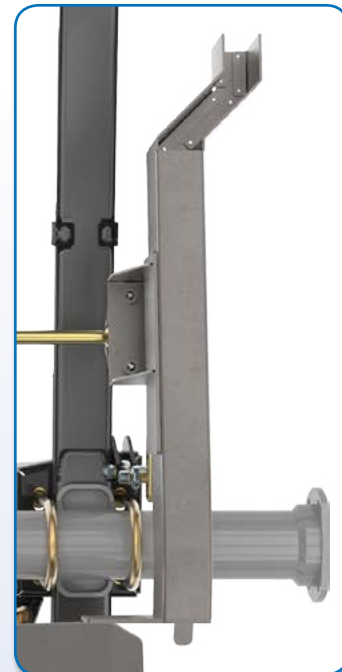


Rocker-Arm IRS

## Mini-Tub Leaf-Spring Suspensions



Mini-Tub Leaf Spring Suspension



Offset Frame Rail



Inboard Spring Mount



Shackle Trunk Support



Mini Wheel Tubs



Adjustable Anti-Roll Bar



Mini-Tub Leaf Spring with Panhard Bar



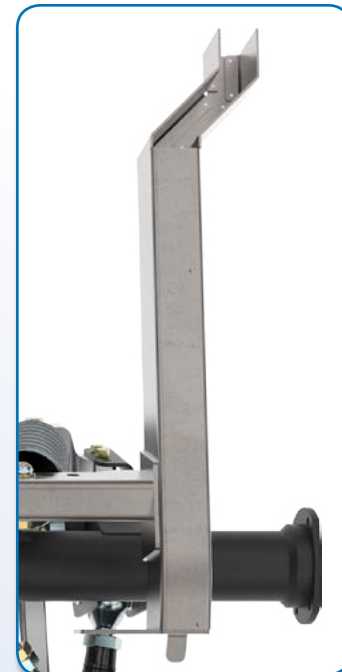
Panhard Bar Adjustments



## Mini-Tub g-Link Suspensions



Mini-Tub g-Link Suspension



Offset Frame Rail



Inboard Lower Arm Mount



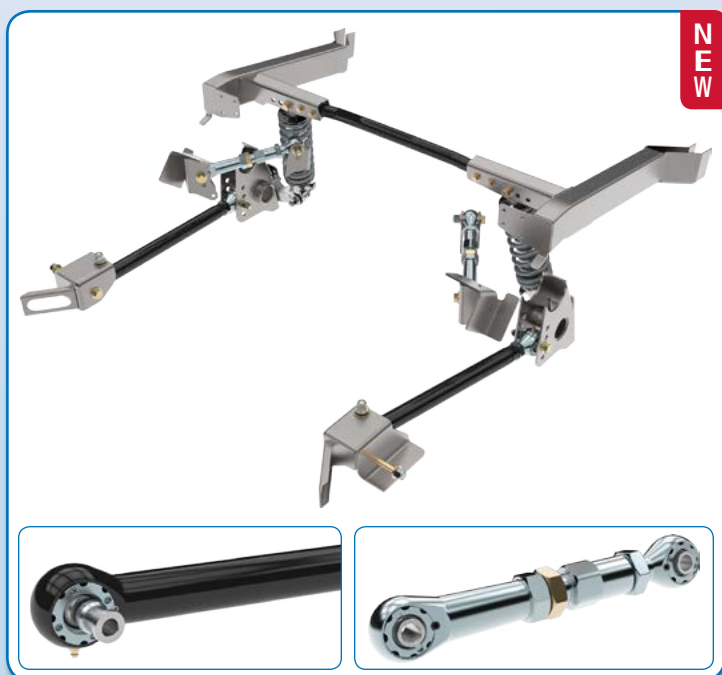
Adjustable Shock Mount



Mini Wheel Tubs



Adjustable Anti-Roll Bar



Mini-Tub g-Link Suspension



Mini-Tub Billet g-Link Suspension

# Total Control Products



## Rear Suspension, g-Bar and g-Link - Complete Systems



Coil-Over g-Link with FAB9 Housing



Air-Spring g-Bar with OEM Housing



g-Bar (Poly) Coil-Over



g-Link (Pivot) Coil-Over



Billet g-Link (Pivot) Coil-Over



g-Bar (Poly) Air-Spring



g-Link (Pivot) Air-Spring



Billet g-Link (Pivot) Air-Spring

## g-Bar Suspension - Individual Components



g-Bar Sliding Link ARB



g-Bar Splined End ARB



Upper Arm Weld Fixture



g-Bar FAB9 Housings

## Rear Suspension, Pushrod Torque Arm - Complete Systems



Pushrod Coil-Over Torque Arm Suspension



Coupe-Fastback g-Connector System



Convertible g-Connector System



Billet Watts Link Pivot



Billet Shock Rocker Arm



Laydown Shock Configuration

## Torque Arm Suspension and Individual Components



Leaf-Spring Torque Arm



Torque Arm FAB9s



Weld Fixture

## Leaf Spring Suspension - Complete Systems



Leaf Spring Suspension



Leaf Spring with Panhard Bar



Leaf Spring with Torque Arm



Panhard Bar with Torque Arm



NEW

Mini-Tub Leaf Spring Suspension



NEW

Mini-Tub Leaf Spring with Panhard Bar



Shock & Anti-Roll Bar System

## Leaf Spring Suspension - Individual Components



Leaf Springs



Panhard Bar System



Leaf-Spring Torque Arm



Leaf Spring Plates



VariShock Bolt-Ins



Anti-Roll Bar



Bushing and Shackle Sets



U-Bolt Sets



Leaf Spring Perches



Leaf Spring FAB9s

## Front Frame Clip System (Weld-In)



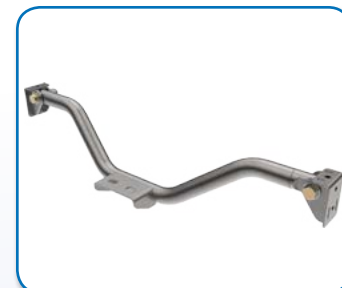
Complete Front Clip System



Front Clip to Firewall



Front Clip with Subframe



Transmission Crossmember



VS - Value Street System



RM - Restomod System



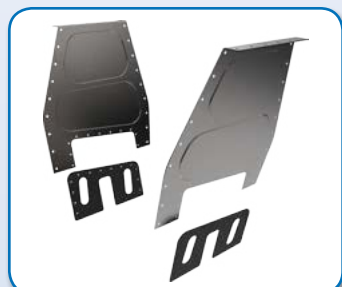
GP - G-Machine Performance



UP - Ultimate Pro-Touring



DR - Drag Race System



Shock Tower Delete



Windsor/Cleveland Small Block



FE Big Block



Coyote, Modular



Windsor/Cleveland Adjustable

## Direct-Fit Transmission Crossmember (Weld-In)



Transmission Crossmember



Late-Ford Transmission Adapter

## Front Suspension - Complete Systems



Coil-Over Conversion



Coil-Spring Suspension



Air-Spring Suspension



Upper A-Arm Coil-Over



Upper A-Arm Air-Spring

## Front Suspension - Individual Components



Coil-Spring Upper A-Arms



Coil-Over Upper A-Arms



Lower Control Arms



Strut Rods



Dropped Pivot Shafts



A-Arm Drill Jigs



Upper Balljoints



Replacement UCA Rod End



Eccentric Eliminators



Lower Balljoints



Tower Adapter Caps

## Front Anti-Roll Bars and Components



Shock and Swaybar Package



Anti-Roll Bar Kits

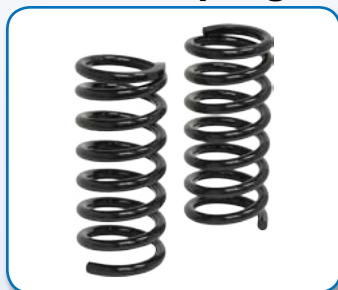


Billet ARB Mounts



Billet ARB Endlinks

## Front Coil-Spring Suspension Components



Lowering Springs



VariShock Bolt-Ins



Spring Perches



Urethane Isolators

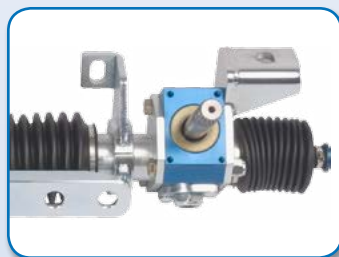
## Manual Rack and Pinion Systems



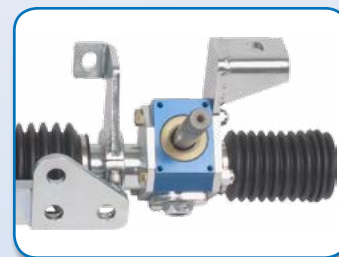
Small Block (LH Drive)



Big Block (LH Drive)



Small Block (RH Drive)



Big Block (RH Drive)

## Power Rack and Pinion Systems



Small Block (LH Drive)



Big Block (LH Drive)



Small Block (RH Drive)



Big Block (RH Drive)

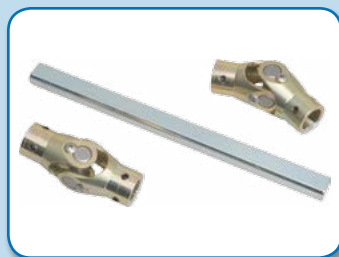
## Rack and Pinion Components



Column Shaft Kits



Column Mounts



Steering Shaft Kits



Tilt Columns

## Power Steering Pumps



Pro Pump Integral



Pro Pump Remote



Street Pump Integral



Street Pump Remote

## Power Steering Plumbing



Stainless Hose Kits



Billet Remote Reservoir



Aluminum Remote Reservoir



Hose Bracket

## Power Steering Pump Brackets



260, 289, 302



351W, 351C, 400M



390, 427, 428



Universal Blank

## Spindles and Hardware



Forged Spindles



Spindle Hardware

## Tie Rod and Bump Steer Sets



Tie-Rod Adjuster Sets



Bump-Steer/Tie-Rod Sets



Bump Steer Sets



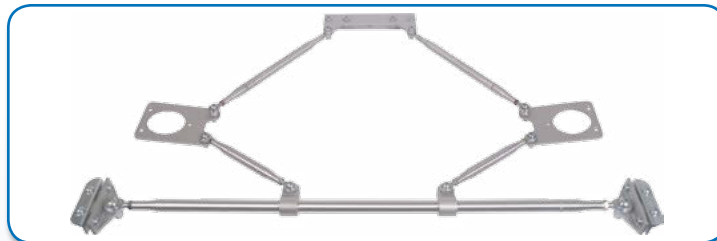
## Chassis Stiffening - Complete Systems



Hardtop Subframe



Convertible Subframe

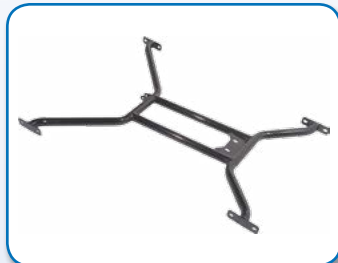


Shock Tower Brace

## Chassis Stiffening - Individual Subframe Components



Subframe Connectors



Hardtop Support

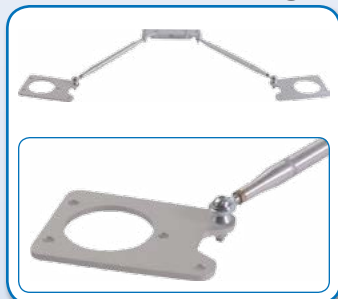


Convertible Support

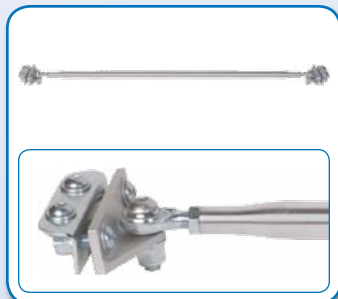


Driveshaft Loop

## Chassis Stiffening - Individual Tower Brace Components



Export Brace



Monte Carlo Bar



Truss Brace



Misalignment Spacers

## Billet Accessories



Hood Hinges



Hood Pins



Auto Pedal Covers



Manual Pedal Covers



Throttle Linkage Kits

## Motor Mounts, OEM Style



Windsor/Cleveland Small Block



Big Block FE Motor Mounts

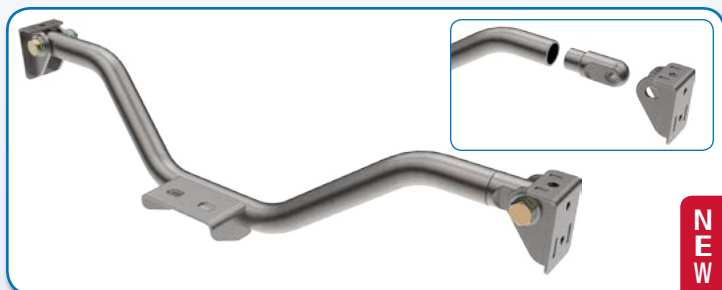


Windsor/Cleveland Adjustable



Motor Mount Bushings

## Direct-Fit Transmission Crossmember (Weld-In)



Transmission Crossmember



Late-Ford Transmission Adapter

## Rearend - Individual Components



ST Iron Package



HD Pro Aluminum



Pro-Iron Package



1350 Yoke U-Bolts



Street Axle Packages



Race Axle Packages



Wheel Studs



Wheel Bearings



Housing Ends



Housing End Studs

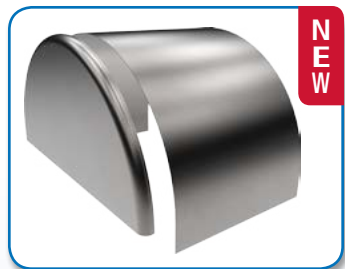


Pro-Touring Floater Axle



Brake Kit for Floater Axle

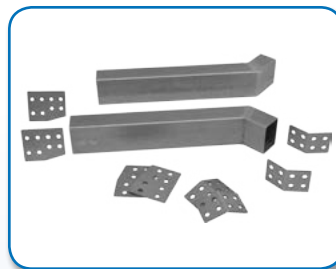
## Wheel Tubs and Accessories



Builder Wheel Tubs



Mini Wheel Tubs



Narrowed Rail Kit



Spot Weld Bits

## FAB9™ Rearend Housings



g-Bar FAB9 Housings



Leaf Spring FAB9s



Torque Arm FAB9s

## Wilwood Rear Disc Parking Brake Kits



11" Rotor



12.19" Rotor



13" Rotor



14" Rotor

## Complete Catalog



Total Control Products Catalog

# Chassisworks Drag Race

Chassisworks has created one of the largest selections of U.S. manufactured Drag-Race

chassis products in the industry. With products covering the full range of Street/Strip, Pro Street, Drag Radial, Outlaw, and Pro Mod cars...

**Chassisworks has it!**



Look for items tagged **NEW** and **UPDATED** to see what we've been working on.

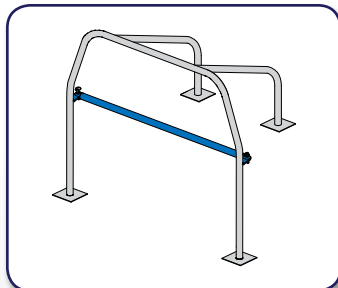
**NEW**

## Drag Race Contents

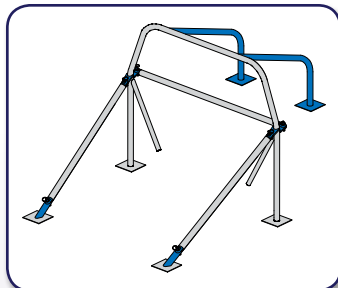
|  |    |
|--|----|
| Roll Bars and Cages.....                             | 53 |
| Pro 4-Link Suspensions, Clips - Pro.....             | 54 |
| Components, Rearend Housings, Wheelie Bars .....     | 54 |
| Shocks, Anti-Roll Bars, Lateral Locaters.....        | 55 |
| 4-Link Suspension, Clips - Sportsman.....            | 56 |
| Components, Rod End Sets .....                       | 56 |
| Rearend Housings, Shocks.....                        | 56 |
| Lateral Locaters, Anti-Roll Bars, Wheelie Bars ..... | 56 |
| Ladder Bar Suspensions, Clips .....                  | 59 |
| Components, Rearend Housings .....                   | 59 |
| Crossmembers, Lateral Locaters, Wheelie Bars.....    | 59 |
| Anti-Roll Bars, Shocks .....                         | 59 |
| Rearend Housings (Custom-Built FAB9).....            | 62 |
| Rearend Narrowing Jig System .....                   | 62 |
| Third-Members, Axles, Housing Ends.....              | 63 |
| Floater Axle Kits - Drag Race.....                   | 63 |
| Rear Disc Brake Kits .....                           | 63 |
| Sheet Metal and Tin Kits .....                       | 64 |
| Wheel Tubs, Floor Kits, Firewalls.....               | 64 |
| Fabrication Tools.....                               | 65 |
| Motor and Transmission Plates and Mounts.....        | 65 |
| Exhaust Header Kits and Components .....             | 66 |
| Nitrous Bottle Racks.....                            | 66 |
| Driver's Area Accessories.....                       | 66 |
| Gauge Mounts .....                                   | 66 |
| Switch Panels, Seats, Pedal Kits.....                | 67 |
| Door and Window Components.....                      | 68 |
| Parachute System .....                               | 68 |
| Chassis Accessories .....                            | 68 |
| Tow Point, Front-End Mount, Battery Boxes .....      | 68 |
| Steering Columns and Components .....                | 69 |
| Column Kits, Shafts, Adapters, U-Joints .....        | 69 |
| Rack and Pinions .....                               | 70 |
| Coil-Over Shock Packages and Components .....        | 70 |
| Front A-Arm Clips (Weld-In).....                     | 71 |
| Clips, Frames, Suspension Components.....            | 71 |
| Rack and Pinions, Spindles, Tie Rods .....           | 72 |
| Brake Kits.....                                      | 72 |

|   |    |
|---|----|
| Front Strut Clips (Custom-Fit, Weld-In).....              | 73 |
| Integral Spindle Struts, Brake Kits .....                 | 73 |
| Rack and Pinions.....                                     | 73 |
| Drag Race Chassis Kits .....                              | 74 |
| Front Strut Clips (Direct-Fit, Bolt-On) .....             | 75 |
| Struts and Brake Kits.....                                | 75 |
| Rack and Pinion, Bump Steer Kit.....                      | 75 |
| Engine and Transmission Mounts.....                       | 75 |
| Front A-Arm Clips (Direct-Fit Bolt-On).....               | 76 |
| '67-81 Camaro, '68-72 Nova, '62-67 Chevy II .....         | 76 |
| Front Crossmembers and Clips (Custom-Fit, Weld-In) ...    | 77 |
| Complete Frames (Custom-Fit, Weld-In) .....               | 77 |
| Front Suspension (Direct-Fit, Bolt-On).....               | 78 |
| Complete Systems, Components .....                        | 78 |
| Coil-Over Conversions.....                                | 78 |
| Transmission Crossmembers.....                            | 79 |
| Direct-Fit Motor Mounts.....                              | 79 |
| Catalog and Buyer's Guide .....                           | 79 |
| OEM 4-Link Coil-Over Suspensions.....                     | 80 |
| '64-72 Chevelle, '78-87 Monte Carlo, '79-04 Mustang... .. | 80 |
| OEM 4-Link Stock-Style Suspensions .....                  | 80 |
| '64-72 Chevelle, '78-87 Monte Carlo .....                 | 80 |
| Coil-Over Conversions .....                               | 80 |
| '64-72 Chevelle, '79-04 Mustang .....                     | 80 |
| Torque Arm Suspension Components .....                    | 80 |
| '82-02 Camaro .....                                       | 80 |
| Rear Control Arms and Components (Direct-Fit).....        | 81 |
| '64-72 Chevelle, '78-87 Monte Carlo, '79-04 Mustang... .. | 81 |
| FAB9 Rearend Housings (Direct-Fit) .....                  | 81 |
| Rear Disc Brake Kits .....                                | 82 |
| Rearend Components .....                                  | 82 |
| Third-Members, Axles, Housing Ends, Girdles.....          | 82 |

## Roll Bars - Complete Systems

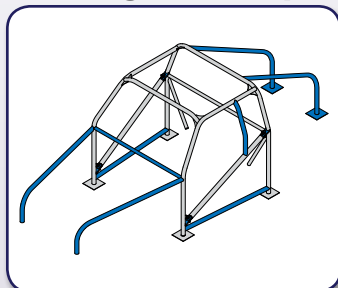


4-Point Roll Bar

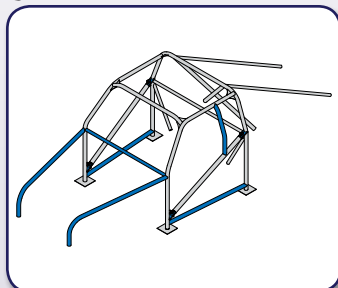


8-Point Roll Bar

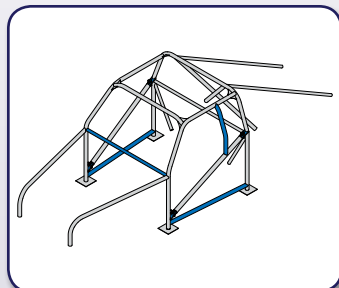
## Roll Cages - Complete Systems



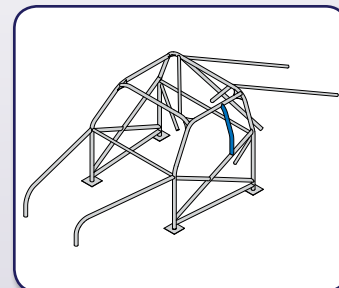
8-Point Roll Cage



10-Point Roll Cage



12-Point Roll Cage



14-Point Roll Cage

## Roll Bars and Cages - Optional Components



Roll Cage Swing-Out Kit



Swing-Out Single Extension



Swing-Out Dual Extension



Removable Back-Brace Kit



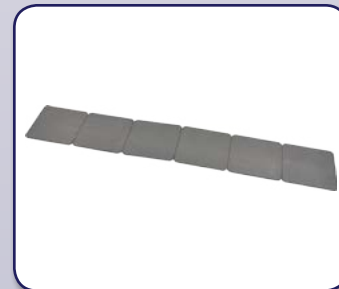
Roll-Bar Swing-Out with Tube



Roll Cage Gusset (8-Pack)



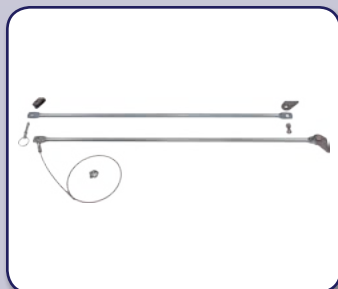
6x6 Floor Plates (4-Pack)



6x6 Floor Plates (6-Pack)



Subframe Connectors



Window-Net Mount

# Chassisworks Drag Race

## Weld-In Custom-Fit Pro 4-Link Suspensions - Complete Systems



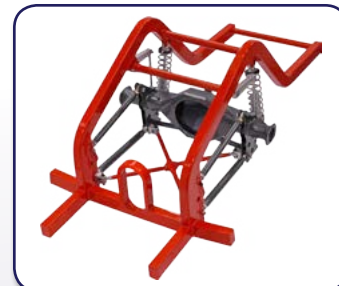
Pro Level 2 4130 (Rod End)



Pro Level 1 - Pro Street (Poly)



1-5/8" Pro Level 2



3x2" Pro Level 1

## Pro 4-Links - Individual Components



Pro 4130 (Rod End)



Pro Scalloped (Rod End)

## Rod End Sets Pro 4-Links - Individual Components



7/8"-Shank 4130 Body 1/2"-Bore



3/4"-Shank 4130 Body 1/2"-Bore

## FAB9 Rearend Housings Pro 4-Links - Individual Components



FAB9 Floater Axle



FAB9 Flanged Axle

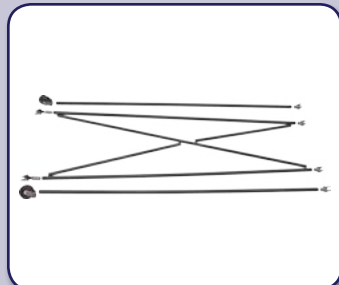
## Wheelie Bars - Common to All Rear Suspension Systems



Spring Loaded Bars



Unsprung Bars



84" Wheelie Bars



Spring Conversion Kit

# Chassisworks Drag Race

## Shocks and Springs - Common to All Rear Suspension Systems



SensiSet Poly



QuickSet 1 Poly



QuickSet 2 Poly



80-300 lb/in



SensiSet COM-8



QuickSet 1 COM-8



QuickSet 2 COM-8

## Shock Mounts Pro 4-Links - Individual Components



6-Degree Shock Mount



Offset Shock Mount



Bolts and Spacers

## Anti-Roll Bars - Common to All Rear Suspension Systems



Splined Bar Chassis Mount



Splined Bar Axle Mount

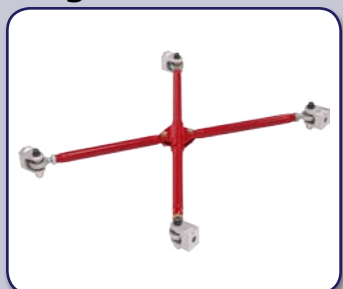


Through-Bolt Tubular ARB



ARB Endlink Tabs

## Drag Race Locaters Pro 4-Links - Individual Components



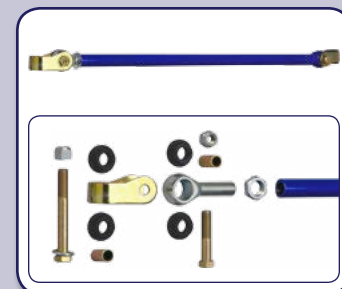
X-Style Locater



Wishbone Locater (Rod End)



Track Locater (Rod End)

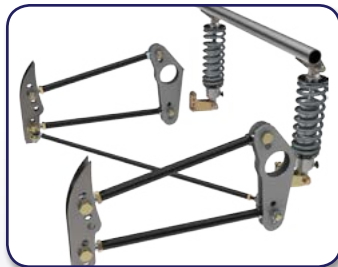


Poly Track Locater

## Weld-In Custom-Fit Sportsman 4-Link Suspensions - Complete Systems

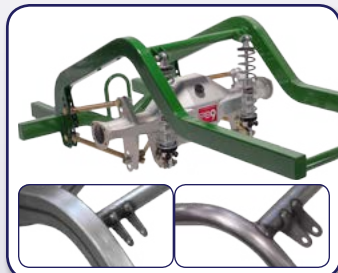


Crossmember Mounted



Chassis Mounted

## Weld-In Custom-Fit Sportsman 4-Link Clips- Complete Systems



3x2" Boxed or 1-5/8" Round



3x2" Truck Low Profile



4x2" Boxed

## Crossmember Mounted Sportsman 4-Links - Individual Components



Drag Race (Rod End)



Pro Street (Poly)

## Chassis Mounted Sportsman 4-Links - Individual Components



Drag Race (Rod End)



Pro Street (Poly)



Billet (Pivot-Ball)

## Sportsman 4-Link Rod Ends (Sets of 8) - Individual Components



4130 3/4-Bore x 3/4"



Mild Steel 3/4-Bore x 3/4"



Mild Steel 3/4 x 3/4" Teflon®



4130 and Mild Steel



# Chassisworks Drag Race

## FAB9™ Rearend Housings Sportsman 4-Links - Individual Components



FAB9 Sportsman 4-Link



## Shocks and Springs - Common to All Rear Suspension Systems



SensiSet Poly



QuickSet 1 Poly



QuickSet 2 Poly



SensiSet COM-8



QuickSet 1 COM-8



QuickSet 2 COM-8



80-300 lb/in



Rear Coil Spring Set



Bolts and Spacers

## Shock Mounts - Common to All Rear Suspension Systems



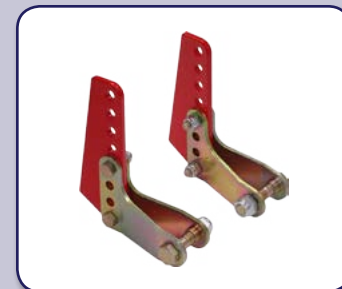
Upper Shock Crossmember



Axle Tube Mount



Axle with Back Brace Mount



Suspension Bracket Mount

## Drag Race Locaters Sportsman 4-Links - Individual Components

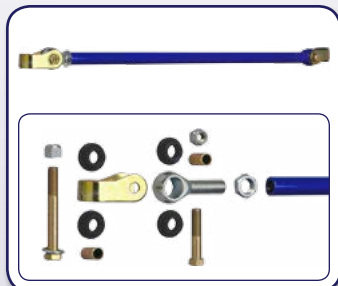


Wishbone Locater (Rod End)

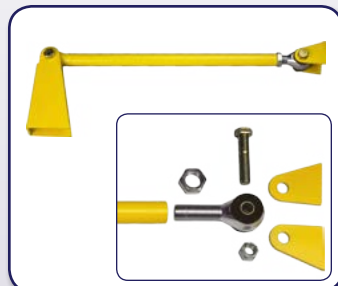


Track Locater (Rod End)

## Pro Street Locaters Sportsman 4-Links - Individual Components



Poly Track Locater



Poly Panhard Bar



Double-Adjustable Panhard

## Anti-Roll Bars - Common to All Rear Suspension Systems



Splined Bar Chassis Mount



Splined Bar Axle



Through Bolt Tubular ARB



Splined-Arm ARB

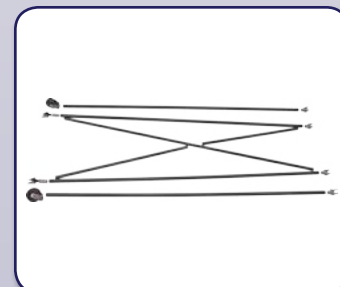
## Wheelie Bars - Common to All Rear Suspension Systems



Spring Loaded Bars



Unsprung Bars



84" Wheelie Bars



Spring Conversion Kit



Wheelie Bar Axle Brackets

## Weld-In Custom-Fit Ladder Bar Suspensions and Clips - Complete Systems



Leaf Spring 1-5/8"



Leaf Spring 3x2"



Coil-Over 1-5/8"



Coil-Over 3x2"



Pro Ladder Bar Coil-Over



Ladder Bar Clip 3x2"

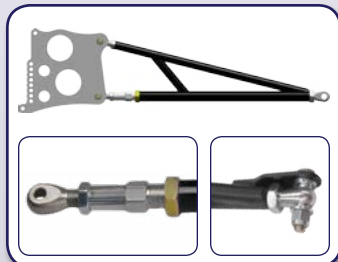


Ladder Bar Clip 1-5/8"

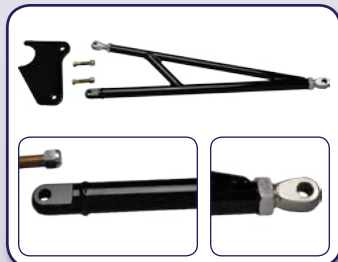


Ladder Bar Clip 4x2"

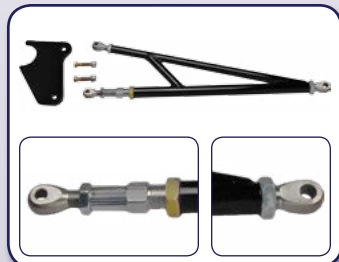
## Ladder Bars - Individual Components



Pro Ladder Bar



Sportsman Ladder Bar



Adjustable Sportsman



Adjustable Pro Street (Poly)

## Ladder Bars - Individual Components



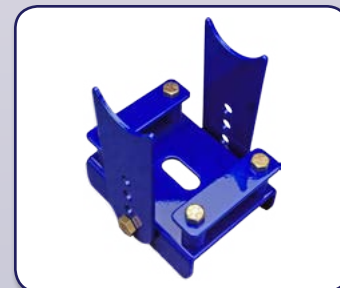
Single Safety Strap



Dual Safety Straps



Zero-Bind Mount Hardware



Leaf Spring Floater

## FAB9™ Rearend Housings for Ladder Bars - Individual Components

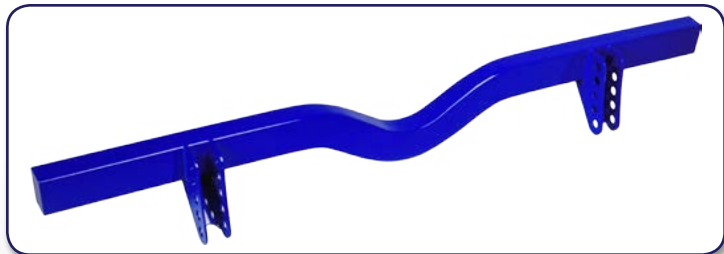


Pro Ladder Bar FAB9

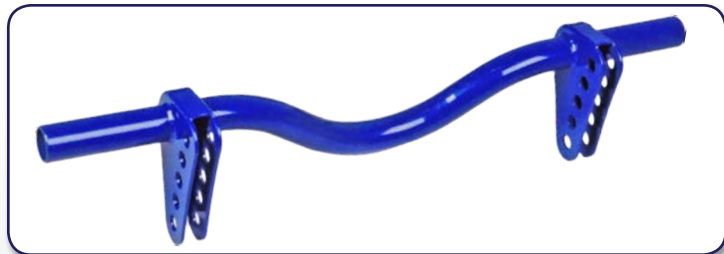


Sportsman Ladder Bar FAB9

## Ladder Bar Crossmembers - Individual Components

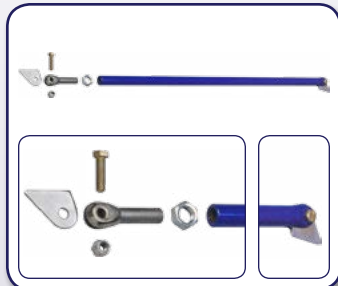


3x2" Boxed

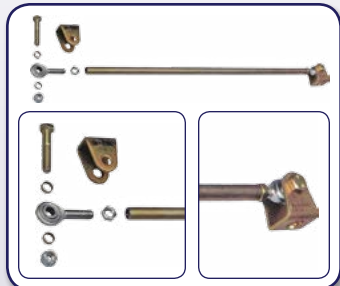


1-5/8" Round

## Drag Race Locaters Sportsman Ladder Bars - Individual Components



Weld-On Track Locator

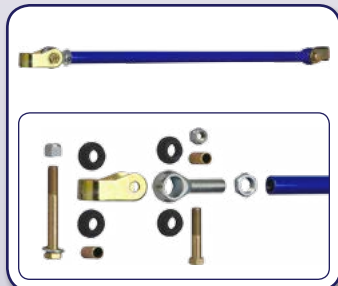


Track Locator (Rod End)

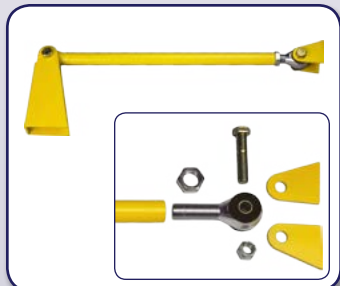


Pro X-Locator

## Pro Street Locaters Sportsman Ladder Bars - Individual Components



Poly Track Locator



Poly Panhard Bar



Double-Adjustable Panhard

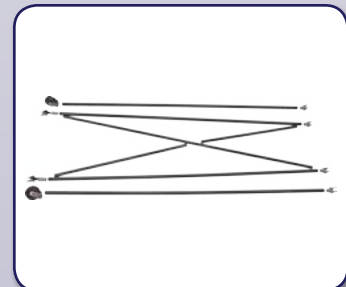
## Wheelie Bars - Common to All Rear Suspension Systems



Spring Loaded Bars



Unsprung Bars



84" Wheelie Bars



Spring Conversion Kit



Wheelie Bar Axle Brackets

## Anti-Roll Bars - Common to All Rear Suspension Systems



Splined Bar Chassis Mount



Splined Bar Axle



Through Bolt Tubular ARB



ARB Endlink Tabs

## Shocks and Springs - Common to All Rear Suspension Systems



SensiSet Poly



QuickSet 1 Poly



QuickSet 2 Poly



80-300 lb/in



SensiSet COM-8



QuickSet 1 COM-8



QuickSet 2 COM-8



Rear Coil Spring Set

## Shock Mounts Pro Ladder Bar - Individual Components



6-Degree Shock Mount



Offset Shock Mount



Bolts and Spacers

## Shock Mounts - Common to All Rear Suspension Systems



Upper Shock Crossmember



Axle Shock Mount



Axle with Back Brace Mount



Suspension Bracket Mount

# Chassisworks Drag Race

## Drag Race FAB9 Rearend Housings



Unassembled FAB9



No Brackets FAB9



Leaf Spring FAB9



Sportsman Ladder Bar FAB9



Pro Ladder Bar FAB9



Sportsman 4-Link FAB9



Pro 4-Link FAB9



Pro 4-Link FAB9 Floater

## Rearend Narrowing Jig System



Ford 9" Narrowing Jig



Ford 9" Faceplate Adapter



Rearend Narrowing Jig



Floater Spindle Adapter



Pinion Center-Line Gauge



## Rearend - Individual Components



ST Iron Package



HD Pro Aluminum



Pro-Iron Package



Ultra Case Package



Street Axle Packages



Race Axle Packages



Wheel Studs



Housing Ends



Wheel Bearings



Housing End Studs



1350 Yoke U-Bolts

## Drag Race Floater Kits



Drag Race Floater



Floater Axle



## Rear Disc Brake Kits



Drag 11.44" Rotor



Drag Dual Caliper

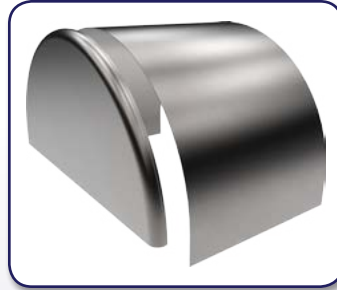


12.19" Rotor Parking Brake

## Sheet Metal and Tin Kits



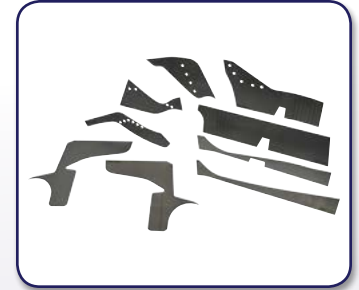
Wheel Tubs



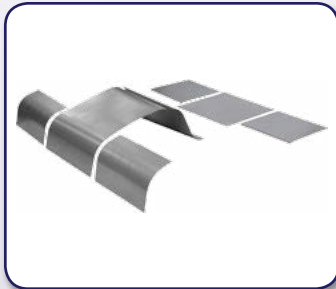
Builder Wheel Tubs



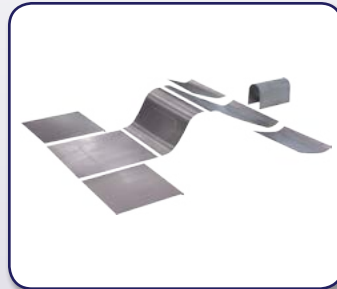
Mini Wheel Tubs



Mini Tub Frame Closeouts



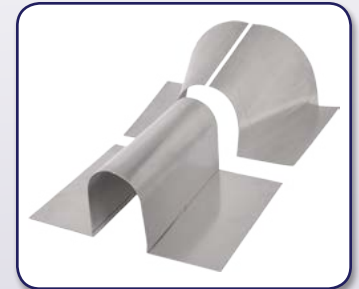
4-Link Floor Kits



Ladder Bar Floor Kits



Front Firewall



Transmission Tunnel



Door and Quarter Panels



Floor Panels



Rear Firewall



Driveshaft Tunnels



Fuel Tank Sump Cover



Rear Spoiler



Spoiler Flap Adjuster



Dashboard



Access Door 6x6"



Access Door 8x12"



Dzus Key and Fasteners



## Fabrication Tools



Tubing Notcher



Wheel Tub Contour Tracer



Spot Weld Removal Bits



Clevcos and Pliers

## Motor and Transmission Plates and Mounts - Individual Components



Aluminum Motor Plates



Profiled Motor Plates



Aluminum Mid Plates



Steel Mid Plates



Motor Plate Brackets



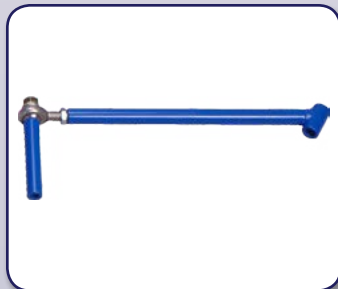
Motor/Mid Plate Brackets



Big-Block Adapters



LS A/C Motor Plate Adapters



Torque Limiter



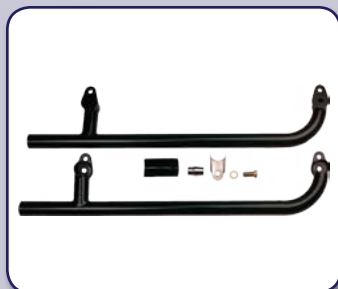
Removable Driveshaft Loop



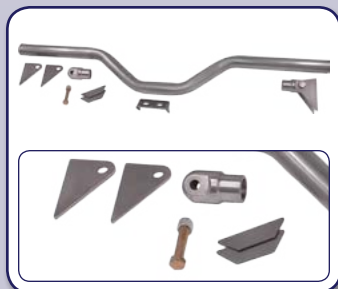
Round-Tube Driveshaft Loop



Shifter Platform



Lenco Mounting Rails



Transmission Crossmembers

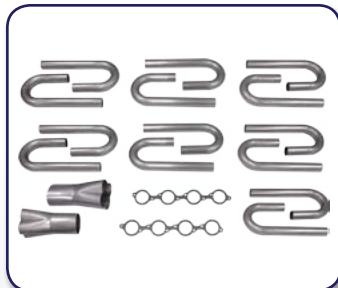


Removable SFI Crossmember



Transmission Mount

## Header Kits and Individual Components



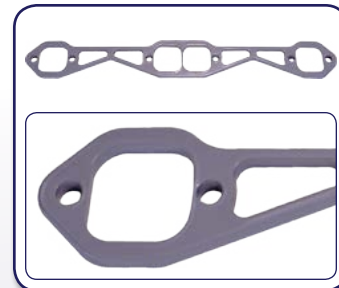
Header Kit



J-Bends (1-1/2 to 3")



Collectors (2-1/2 to 5")



Header Flanges

## Nitrous Bottle Racks and Accessories



Stand-Up Bolt-In



Angle Mount Bolts to Floor



Lay-Down Bolt-In



Angle Mount Weld-In



2-Bottle Trailer Rack



4-Bottle Trailer Rack



Bottle Handle



Bottle Wrench

## Gauge Mounts



5-1/4" with Quad 2-5/8"



5-1/4" with Triple 2-5/8"



5-1/4" with Dual 2-5/8"



Quad 2-5/8



Triple 2-5/8"



Dual 2-5/8"

## Switch Panels and Individual Components



Switch Panels



Starter Button



Toggle Switch

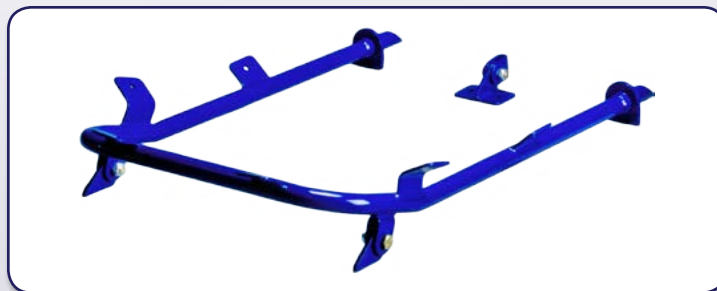


Disconnect Switch

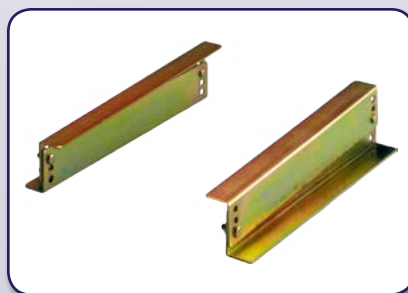
## Seats and Individual Components



Aluminum Seat



Seat Mount (Tube Style)



Seat Mounts (Stock Floor)



Seat Belt Bosses

## Pedal Kit and Components



Gas Pedal (bare)



Brake Pedal (bare)



Brake and Clutch Pedals



Master Cylinder



Master Cylinder Mount

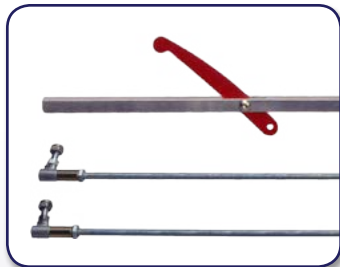


Brake Line Kit

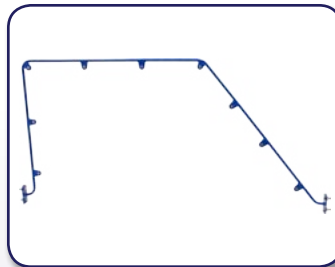
## Door and Window - Individual Components



Quick Release Door Hinges



Inner Door Handle Kit



Side Window Frames



Window Install Kit

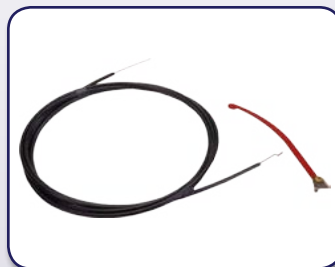
## Parachute Mount - Individual Components



Parachute Pack Mount

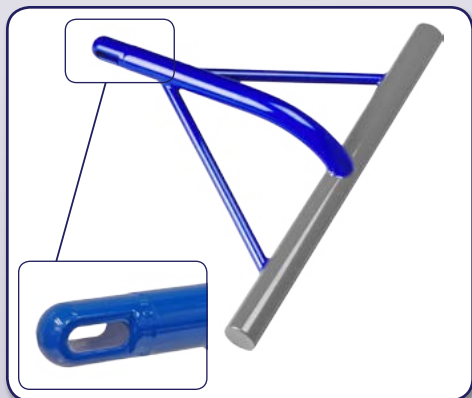


Parachute Strap Spool



Parachute Release

## Chassis Accessories - Individual Components



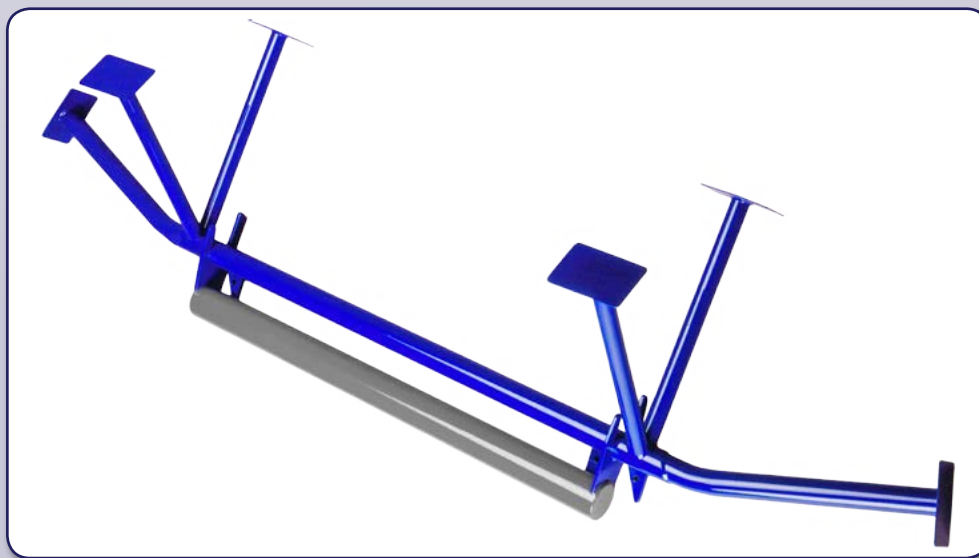
Tow Point



Battery Boxes



Fuel Cell Strap Chassis Mounts



Fiberglass Front-End Mount

## Drag Race Steering Columns - Complete Systems



Stainless Drag Race Column



Drag Race Steering Column

## Drag Race Steering Columns - Individual Components



Quick Release Steering Hubs



Column Tube Adapter



Steering Wheel Flange



Steering Shaft Support



Female Coupler



Male Coupler



3/4"-DD Shaft



Drag Race Column Tube Set

## Steering Universal Joints



Mil-Spec U-Joint



Pin and Block U-Joint



Aluminum U-Joint



Steel U-Joint

## Rack and Pinion - Individual Components



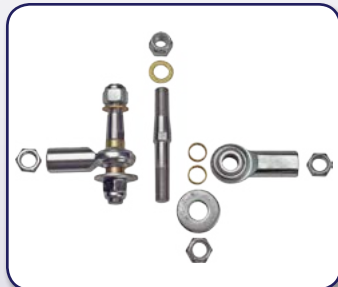
Pinto Rack and Pinion



Mustang II Rack and Pinion



Bump-Steer Tie Rods



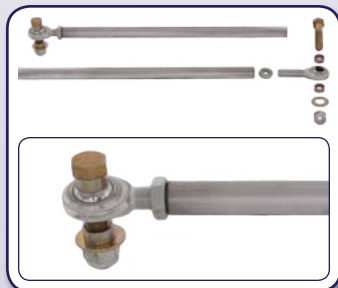
Pinto to Mustang II Spindle



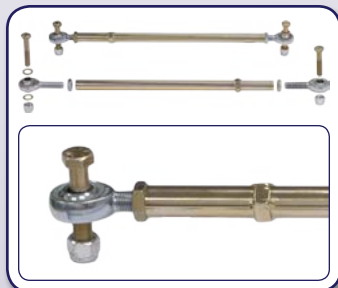
Weld-In Tie Rod Adapters



Mustang II Tie Rods



Pinto Rack Tie Rod Sets



Pro-Box Strut Tie Rod Set



Pinto Rack Clamp



Mustang II Rack Mount Set

## Coil-Over Shock Packages and Components



Coil-Over Shock Package



Coil Spring Shock Set



Upper Shock Crossmember



Axle Tube Mount



Axle with Back Brace Mount



Suspension Bracket Mount

## Drag Race A-Arm Clips and Suspension System - Complete Systems

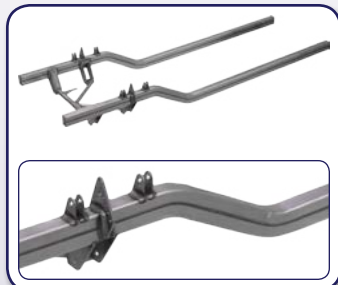


Drag Race A-Arm Suspension

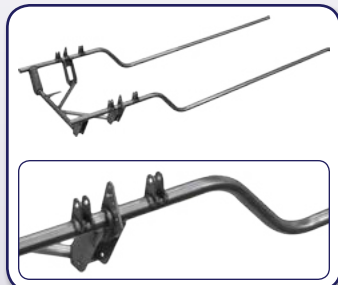


Drag Race A-Arm Clip System

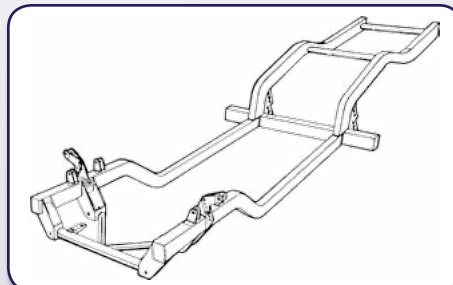
## Drag Race A-Arm Clips and Frames - Individual Components



3x2" A-Arm Clip



1-5/8" A-Arm Clip



A-Arm Full Frame

## Drag Race A-Arm Suspension - Individual Components



Upper A-Arm



Lower A-Arm



Screw-In Balljoints



Travel Limiter



A-Arm Weld Fixture



Chassis Shock Mounts

## Shocks and Springs Drag Race A-Arm Suspension - Individual Components



Coil-Over Shocks



400-650 lb/in



Front Coil Spring Set

## Rack and Pinions Drag Race A-Arm Suspension - Individual Components



Pinto Rack and Pinion



Mustang II Rack and Pinion

## Spindles and Tie Rods Drag Race A-Arm System - Individual Components



Mustang II Spindles



Fabricated Drag Race Spindles



Tie Rod Sets



Bump Steer Tie Rods

## Brakes Drag Race A-Arm Suspension - Individual Components



10" Slotted Rotor



11-3/4" Slotted Rotor



11-3/4" Vented Rotor





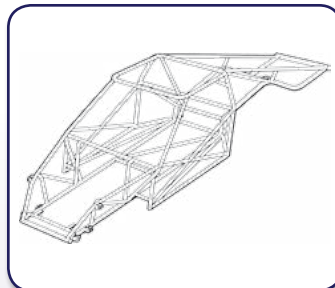
## Drag Race Strut Clips and Suspension System - Complete Systems



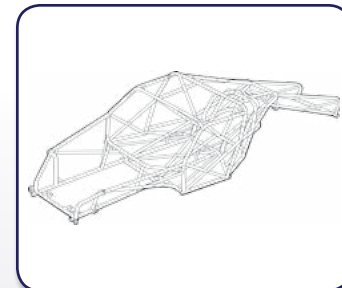
3x2" Strut Front Clip



1-5/8" Strut Front Clip



Eliminator I/II Strut Chassis



Avenger Strut Chassis

## Drag Race Integral Spindle Struts - Complete Systems



Stem Mount Strut



Eye Mount Strut



Piggyback High-Rebound Strut

## Drag Race Strut Mounts - Individual Components



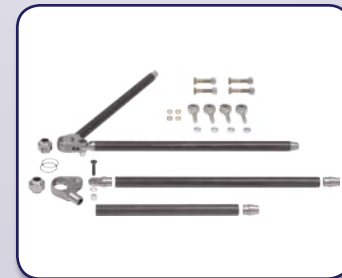
Stem Bushing Mount



Stem COM Mount



Adjustable COM Mount



Lower A-Arm Strut Mount

## Brakes for Drag Race Strut Suspension System



10" Spindle Mount



10" Light Duty



11-3/4" Medium Duty

## Rack and Pinions for Drag Race Strut Clips - Individual Components

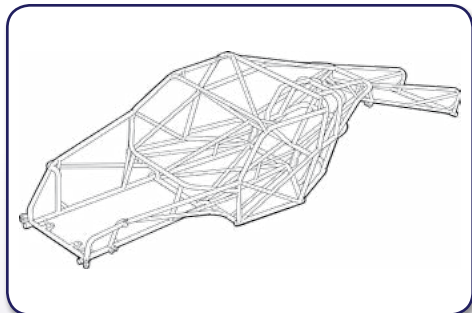


Pinto Rack and Pinion

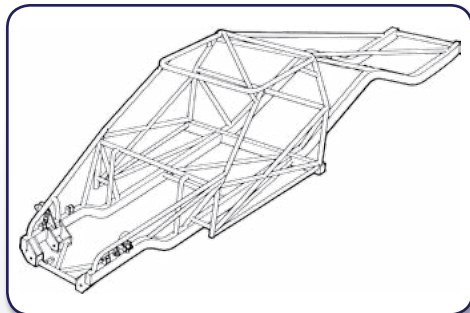


Mustang II Rack and Pinion

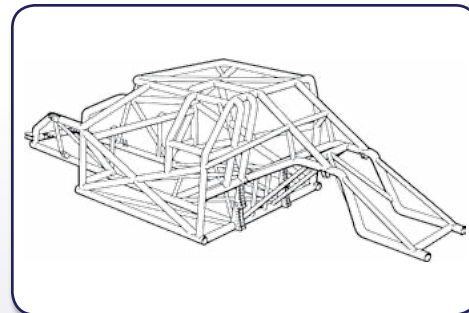
## Drag Race Chassis Kits



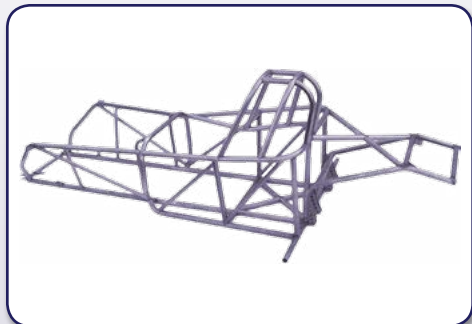
Avenger



Eliminator A-Arm



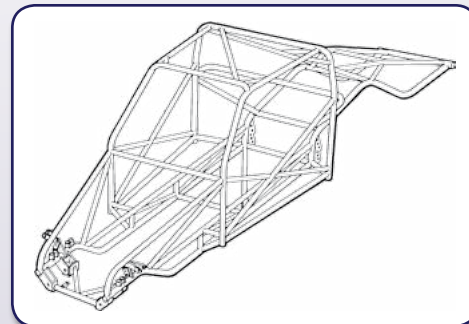
Eliminator II Strut



Roadster



Truck



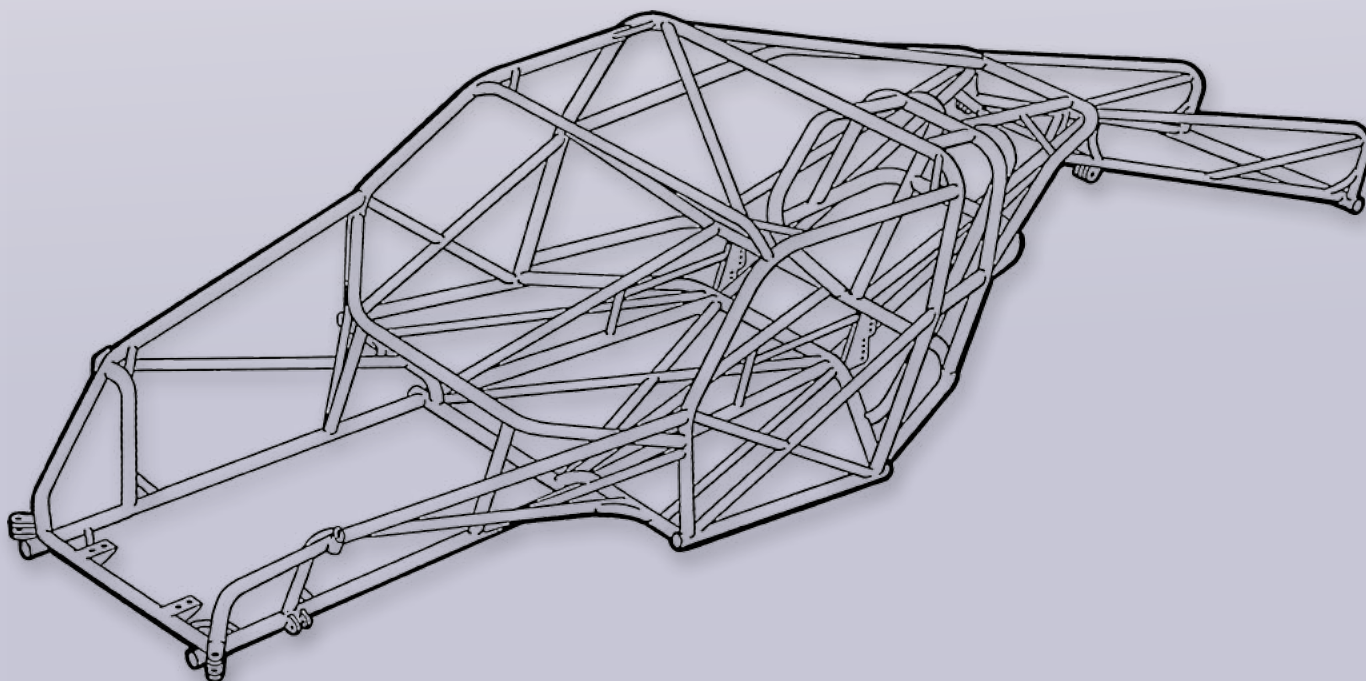
Nostalgia A-Arm

## Front Suspensions for Chassis Kits

A-Arm, shock, strut, spindle, and rack & pinion individual component images are listed on pages 71-73.

## Rear Suspensions for Chassis Kits

4-link, ladder bar, locator, anti-roll bar, and rearend housing individual component images are listed on pages 54-62 located at the beginning of the Chassisworks Drag Race section.



## Bolt-On Strut Clips - Complete Systems



'62-67 Chevy II / Nova



'67-69 Camaro (F-Body)

## Strut and Brakes - Common to Bolt-On Systems



6" Travel Double-Adj. Strut



Piggyback High-Rebound Strut



10" Spindle Mount



10" Light Duty



11-3/4" Medium Duty

## Steering Components - Common to Bolt-On Systems



Billet Manual Rack



Billet Rack Mounts



Bump Steer Kit

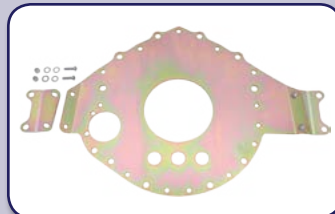
## Engine and Transmission Mounts - Common to Bolt-On Systems



Profiled Motor Plates



Big-Block Adapters



Mid Plates



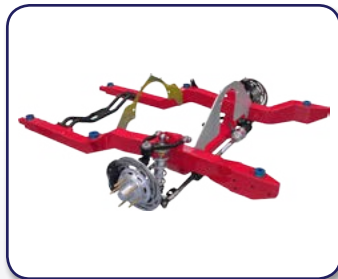
SFI Transmission Crossmember

# Chassisworks Drag Race

## Front Bolt-On A-Arm Clips - Complete Systems



'67-69 Camaro (F-Body)



'70-81 Camaro (F-Body)



'62-67 Chevy II / Nova



'68-72 Nova (X-Body)

## Clip Year Specific Components - '67-81 Camaro (F-Body), '68-72 Nova (X-Body)



Transmission Crossmembers



Splash Flaps



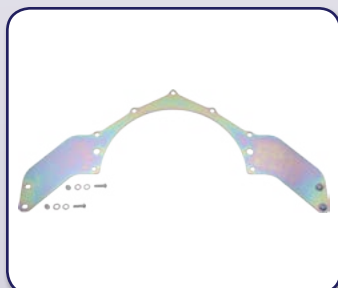
Billet Body Bushings



Steering Shaft Kits



Motor Plates



Mid Plates



Clutch Cross Shaft Bracket



Subframe Alignment Pin

## Clip Year Specific Components - '62-67 Chevy II / Nova



Inner Fender Panels



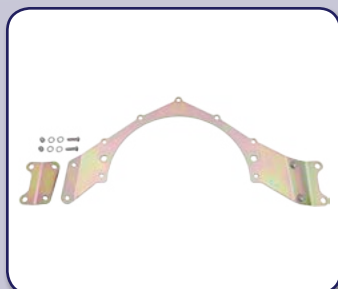
Hinge Mount Supports



Steering Shaft Kits



Motor Plates



Mid Plates



Column Support

## Pro Street Weld-In Custom-Fit Crossmembers and Clips - Complete Systems

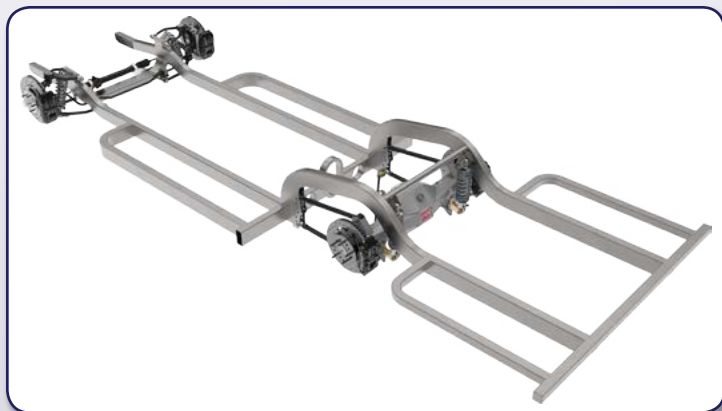


4x2" A-Arm Crossmember



4x2" A-Arm Front Clip

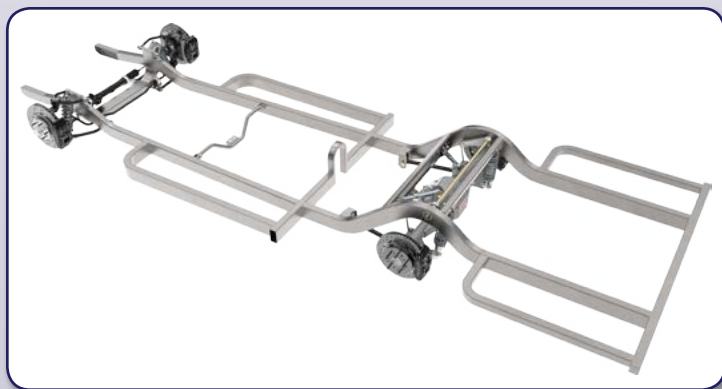
## Pro Street Weld-In Custom-Fit Full Frames - Complete Systems



4x2" A-Arm Battle Cruiser 4-Link Full Frame



4x2" A-Arm Ladder Bar Full Frame



4x2" A-Arm Canted 4-Bar Full Frame

## Front Suspensions for A-Arm Crossmembers, Clips and Full Frames

A-Arm, shock, spindle, rack and pinion, and anti-roll bar individual component images are listed on pages 9-10. **Common To Bolt-On and Weld-On Systems** located at the beginning of the Chassisworks Custom-Fit section.

## Rear Suspensions for A-Arm Crossmembers, Clips and Full Frames

4-link, ladder bar, locater, anti-roll bar, and rearend housing individual component images are listed on pages 54-62 located at the beginning of the Chassisworks Drag Race section.

## Front Suspension (Bolt-On) - Complete Systems



Coil-Over Suspension



Coil-Spring Suspension

## Front Suspension (Bolt-On) Coil-Over Conversions



'62-'67 Chevy II Coil-Over



'83-'92 Camaro Strut



'93-'02 Camaro Coil-Over



GM A-Arm Front Coil-Overs

## Front Suspension (Bolt-On) - Individual Components



Upper A-Arms



Coil-Over Lower Arms



Coil-Spring Lower Arms



VariShock Bolt-Ins



Forged Spindles



Bump Steer Tie Rods

# Chassisworks Drag Race

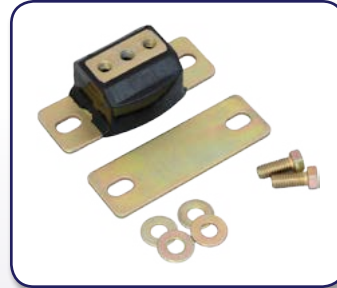
## Transmission Crossmembers and Individual Components



'67-69 Camaro



'70-81 Camaro



Poly Transmission Mount



Raised Trans Tunnel Cap

NEW

## Direct-Fit Aluminum and Steel Motor Mounts - A-, F-, and X-Bodies



BB/SB Chevy & Pontiac V8

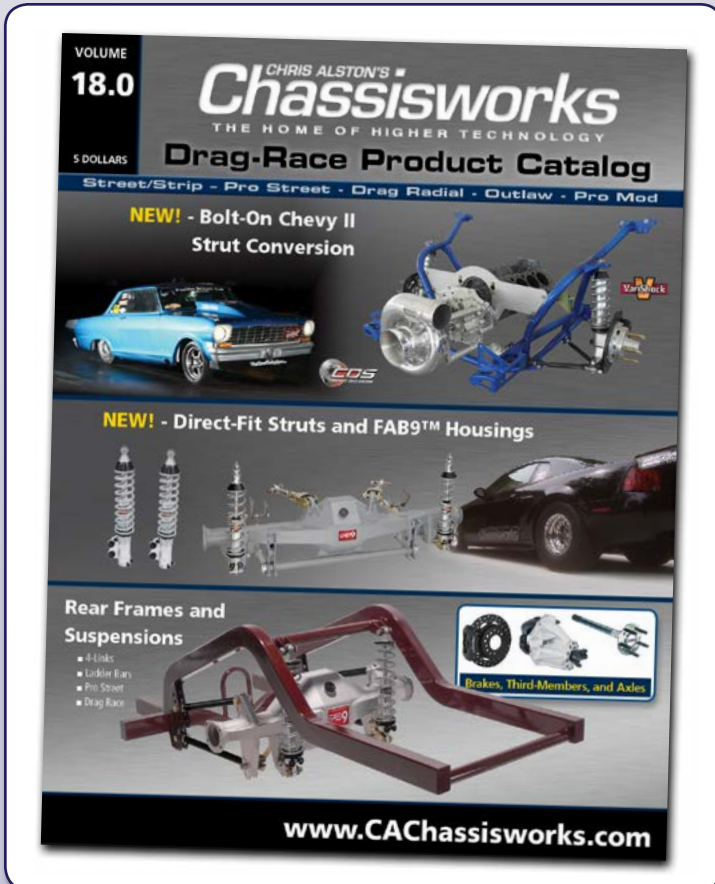


LS-Series

NEW

NEW

## Complete Catalog and Buyer's Guide

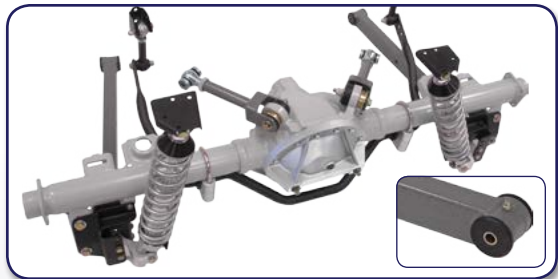


Drag Race Product Catalog



'79-04 Mustang Buyer's Guide

## A-Body 4-Link Coil-Over Systems - '64-72 Chevelle (A-Body)



g-Bar (Poly) Coil-Over



Billet g-Bar (Poly) Coil-Over

## Power-Link Systems - '64-72 Chevelle (A-Body), '78-87 Monte Carlo (G-Body), '79-04 Mustang



OEM Style (A-, G-Body)



Coil-Over (A-Body)



Coil-Over (Mustang)

## A- and G-Body 4-Link Smooth-Body Shock Systems - '64-72 Chevelle, '78-87 Monte Carlo



g-Bar (Poly)



Billet g-Bar (Poly)

## Coil-Over Conversions - '64-72 Chevelle (A-Body), '79-04 Mustang



Bolt-On Coil-Over (A-Body)



Weld-In Coil-Over (A-Body)



Coil-Over (Mustang)

## Torque Arm - '82-02 Camaro (F-Body)



Torque Arm



Torque Arm Crossmember



PRO Torque Arm Axle Mount



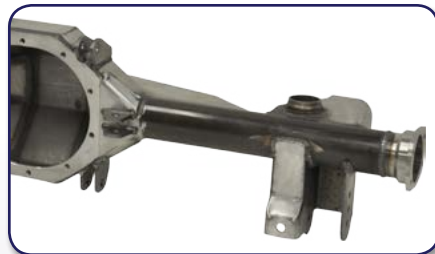
OEM Torque Arm Axle Mount



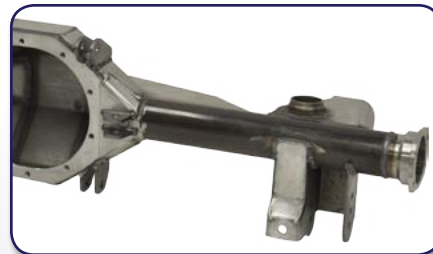
## Torque Arm - '82-02 Camaro (F-Body)



PRO Panhard Bar



'82-92 Torque Arm FAB9



'93-02 Torque Arm FAB9

## Rear Poly Control Arms - '64-72 A-Body, '78-87 G-Body, '82-02 F-Body



g-Bar (Poly) Upper



g-Bar (Poly) Lower



Billet g-Bar (Poly) Lower

## Rear Rod-End Control Arms - '64-72 A-Body, '78-87 G-Body, '79-04 Mustang, '82-02 F-Body



Competition Moly Upper



Competition Moly Lower



Pro Power Upper



Pro Power Lower

## Rear Control Arm - Individual Components - '64-72 A-Body, '78-87 G-Body



Control Arm Bushings



UCA Housing Bushings



UCA Housing Bearings



Control Arm Brace

## Direct-Fit FAB9™ Rearend Housings



Leaf Spring



OE 4-Link Poly



OE 4-Link ARB Poly



OE 4-Link ARB COM-8

## Wilwood Rear Disc Brake Kits



Drag 11.44" Rotor



Drag Dual Caliper



12.19" Rotor Parking Brake

## Rearend - Individual Components



ST Iron Package



HD Pro Aluminum



Pro-Iron Package



Ultra Case Package



Street Axle Packages



Race Axle Packages



Wheel Studs



Housing Ends



Wheel Bearings



Housing End Studs



1350 Yoke U-Bolts



# BIG Savings On Complete Systems

SEE IT,  
BUY IT -  
ONLINE!

## Professional Grade Bolt-On Strut Clips

We continue to raise the bar with our extremely lightweight direct bolt-on drag race strut suspension systems for '62-67 Chevy IIs, '67-69 Camaros and '68-72 Novas. Clips are factory-welded 1-5/8" 4130 tubing, with mount options for small-block, big-block, and LS-series engines.

See the Data Sheet and Complete Options in the E-Store!

New!  
Camaro,  
Nova  
\$6495-up  
Introductory  
Price!



## Frame Clips and More...

Purchase front or rear clips or complete frames in boxed- or round-rail configurations. Available as unassembled kit or factory welded.



## Cages, Roll Bars and Accessories

Available for any car or truck to meet rule requirements.

- Model Specific
- Custom Cages
- Swingout Sets
- Upgrade Kits



## Suspension Systems and Components

Choose from a broad range of 4-link and ladder bar systems for street/strip to professional levels of performance.



Browse our E-Store for Thousands of Products



FREE  
Catalogs, Data Sheets and Tech Guides...  
Click Today!

Don't See It Here?  
Click on the Web to see more components for  
your project plus detailed info and pricing.

KP Components' innovative engineering approach take Sport Truck suspension to a whole new realm. Accurate fit, exceptional performance and first-class appearance make our unique product solutions the perfect choice for unleashing your truck's full potential and looking good while doing it.

## KP COMPONENTS INNOVATIVE TRUCK SUSPENSIONS

Look for items tagged **NEW** and **UPDATED** to see what we've been working on.

**NEW**

### ✓ New Product Additions

**Front Dropmember System - Bolt-On**  
(Coil-Over and Air Bag)

**Short-Bed Rear Frame Clips - Weld-In**  
(Coil-Over and Air-Spring)

**Rear Trailing Am Suspensions - Bolt-On**  
(Coil-Over, Air-Spring, and Air Bag)

**Rear Parallel 4-Link Suspensions - Bolt-On**  
(Coil-Over, Air-Spring, and Air Bag)



### KP Components Contents

|   |    |
|---|----|
| Front Suspension - Complete Systems .....   | 85 |
| Front Suspension - Components.....  | 85 |
| A-Arms, Air-Bag Mounts, Shock Relocaters,<br>Anti-Roll Bars, Spindles .....                                   | 85 |
| Shock Absorbers .....   | 85 |
| Air-Springs, Coil-Overs, Bolt-Ins, Steel-Bodies .....   | 85 |
| 4-Link Rear Frame Clip Systems .....  | 86 |
| Thru-Bed Frame - Coil-Over, Air-Spring .....  | 86 |
| Under-Bed Frame - Coil-Over, Air-Spring .....   | 86 |
| Rear Suspension (Bolt-On) - Complete Systems.....   | 86 |
| Trailing Arm Suspensions .....  | 86 |
| Parallel 4-Links.....   | 86 |
| Cantilever 4-Links .....  | 87 |
| Rear Suspension (Bolt-On) - Individual Components .....   | 87 |
| Watts Links, Panhard Bars, Step Notches (Bolt-On), Drop Links,<br>Bushings, Sleeves .....                     | 87 |
| Chassis Components.....   | 87 |
| Step Notch (Weld-In), U-Bends, Exhaust Cutouts,<br>Driveshaft Loops, Battery Boxes, Sheet-Metal Tin Kits..... | 87 |
| Rear Suspension (Weld-In) - Complete Systems.....   | 88 |
| Parallel 4-Link, Triangulated 4-Link, 4-Link Frame System .....   | 88 |
| Rear Suspension (Weld-In) - Individual Components .....   | 88 |
| Panhard Bar, Air-Bag Mounts, Shock Mounts .....   | 88 |
| Disc Brake and Spindle Packages .....   | 88 |
| Air Management.....   | 89 |
| Controllers .....   | 89 |
| Compressor Systems and Components .....   | 89 |
| Air Tanks and Mounts .....  | 89 |
| Gauges.....   | 89 |
| Tube Fittings and Line .....  | 90 |
| Brass Fittings.....   | 90 |
| Switches and Relays.....  | 91 |
| Valves and Components.....  | 91 |
| Catalog .....   | 91 |



## Front Suspension - Complete Systems



Dropmember System



LayArm Air-Bag



LayArm Air-Spring

## Front Suspension - Individual Components



Lower Air-Spring Arms



Lower Air-Bag Arms



Stainless Lower Arm Clamps



Upper A-Arms



Air Bags



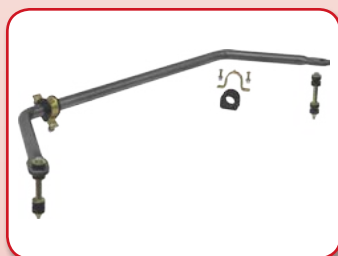
Air-Bag Mounts



Bolt-In Shock Relocaters



Weld-In Shock Relocaters



Anti-Roll Bars



Dropped ARB Brackets



Dropped Spindles

## Shock Absorbers



Air-Spring Shock



Coil-Over Shock



Bolt-In Replacement



Steel Bodied Shock

## 4-Link Rear Frame Clip Systems



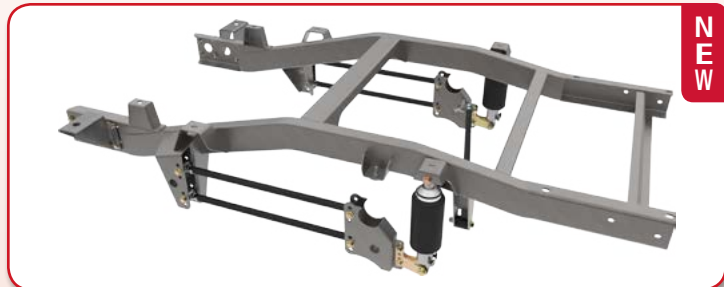
Thru-Bed Coil-Over Rear Frame Clip System



Thru-Bed Air-Spring Rear Frame Clip System



Under-Bed Coil-Over Rear Frame Clip System



Under-Bed Air-Spring Rear Frame Clip System

## Trailing Arm Rear Suspensions



Coil-Over Trailing Arm Suspension



Air-Spring Trailing Arm Suspension



Air-Bag Trailing Arm Suspension

## Parallel 4-Link Rear Suspensions (Bolt-On) - Complete Systems



Coil-Over 4-Link Suspension

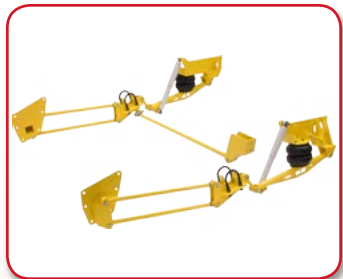


Air-Spring 4-Link Suspension



Air-Bag 4-Link Suspension

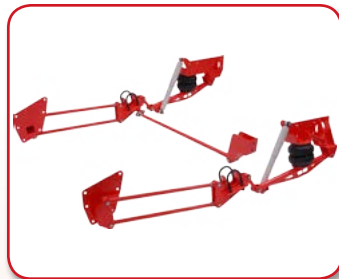
## Cantilever 4-Link Rear Suspensions (Bolt-On) - Complete Systems



Chevy C-Series Systems



Chevy S-10 System



Ford F-150 System



Ford Ranger System

## Rear Suspension (Bolt-On) - Individual Components



Watt's Links



Panhard Bars



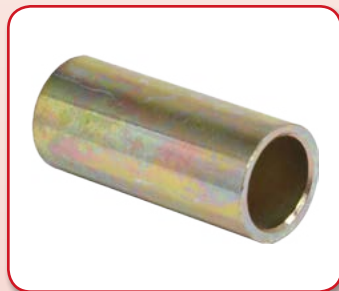
Bolt-On Step Notch



Canteliver Drop Links



Replacement Bushings



Bushing Sleeves

## Chassis Components



Weld-In Step Notch



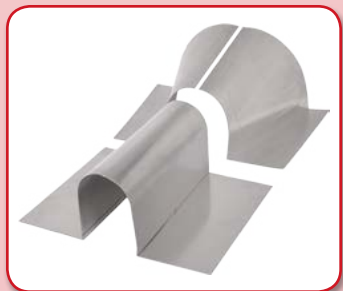
U-Bends



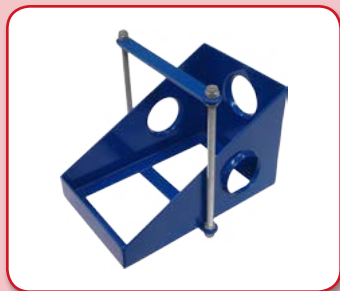
Exhaust Cutouts



Driveshaft Loops



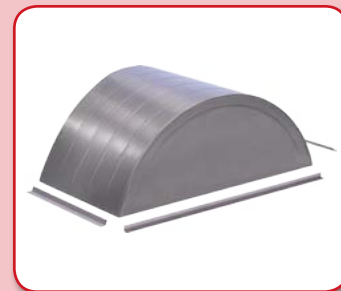
Transmission Tunnel



Battery Boxes

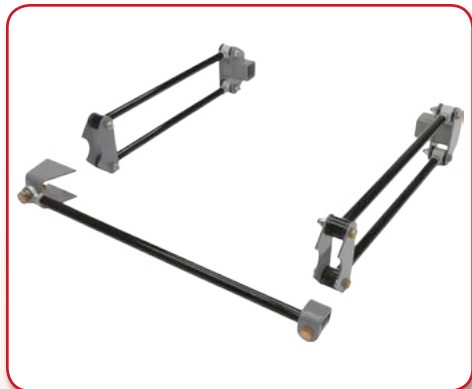


Driveshaft Tunnel



Wheel Tubs

## Rear Suspension (Weld-In) - Complete Systems



Parallel 4-Link



Triangulated 4-Link



4-Link Frame System

## Rear Suspension (Weld-In) - Individual Components



Panhard Bar



Over-Axle Bag Mounts



Behind-Axle Bag Mounts



Shock Crossmember



Lower Shock Mounts



Shock Mount Tabs



Shock Mount Set



Canteliver Link Mounts

## Disc Brake and Spindle Packages



16" Big Brakes (Front)



14" Big Brakes (Rear)



13" Kits (Front)



12" and 13" Kits (Rear)





## Controllers



Hand-held Switch Box

## Compressor Systems and Components



Compressor Systems



Compressors



Intake Filters



Cylinder Kits



Rod Rebuild Kits



Leader Hoses

## Air Tanks and Mounts



5-Gallon - Foot Mounts



7-Gallon - End Mounts



7-Gallon Frame Brackets

## Gauges



Analog Gauges



Digital Gauges



Gauge Panels

## Tube Fittings and Line



Male NPT, Straights



Female NPT, Straights



Male NPT, Elbows



Male NPT, Branch Tees



Male NPT, Run Tees



Tube Union, Straights



Tube, 90-Degrees



Tube, Tee Unions



Air Line

## Brass Fittings



Check Valves



Couplers



Nipples



Plugs



Reducers



Run Tees



Gauge Port Run Tees

## Switches and Relays



Pressure Switches



Relays



Momentary Toggles



Rocker Switches

## Valves and Components



Valve Manifold



Solenoid Valve



Solenoid Mount



Breather Vent



Exhaust Muffler



Silencer Muffler



Schrader Valve



Pneumatic Rocker

## Complete Catalog

VERSION 6.0 \$6.00

**KP COMPONENTS**  
INNOVATIVE TRUCK SUSPENSIONS  
A Cho Allen's Classics, Inc. Brand

**NEW WEBSITE AND E-STORE**  
The KP website is sporting a brand new look with an updated E-Store, complete with high-res product photos and downloadable installation guides. Suspension systems, control arms, brake kits, shock notches, compressors, replacement parts, and more!

See It All, Buy it All... Online!

**LOADS OF NEW PARTS INSIDE**

**KP DROPMEMBER SYSTEM**  
1980-87 CHEVY C10 AND GMC PICKUPS

Check us out on Facebook for your chance at KP freebies! Like Us on Facebook

(866) 575-4657 www.KPcomponents.com

VariShock was created as an in-house developed and manufactured line of shocks and struts, giving us absolute control over the feature sets, dimensions, and quality of the shocks. The VariShock product line offers an affordable and versatile, high-end performance improvement over the various markets that Chassisworks serves.



Look for items tagged **NEW** and **UPDATED** to see what we've been working on.

**NEW**

## VariShock Valve Adjustments

### SensiSet

Ride-sensitive valving that is factory-set.



### QuickSet 1

A single-adjustable shock with a 16-step knob that adjusts bump and rebound simultaneously.



### QuickSet 2

A double-adjustable shock with a 16-step adjustment on both bump (compression) and rebound (extension), allowing 256 combinations of control.



### QuickSet 4

Four-way shock tuning with separate 16-step high- and low-speed adjustment of bump (compression) and rebound (extension) for ultimate control of ride and handling.



### ✓ Product Line Versatility

Simple bolt-on replacements to road- and drag-race

### ✓ Custom Solutions

Builder Shock Program allows complete shock configuration

## VariShock Contents

|  |    |
|--|----|
| Coil-Over Shocks and Components .....                          | 93 |
| Remote Reservoir Coil-Over Shocks and Components.....          | 94 |
| Direct-Fit Front Shocks, Struts, Coil-Overs, Air-Springs ..... | 94 |
| Direct-Fit Rear Shocks, Coil-Overs, Air-Springs.....           | 95 |
| Custom-Fit Coil-Over and Air-Spring Conversions.....           | 95 |
| Drag Race Integral Spindle Struts .....                        | 95 |
| Coil Springs .....   | 96 |
| Tools .....  | 96 |
| Air-Spring Shocks .....  | 96 |
| Smooth Body Shocks.....  | 96 |
| Shock Mounts and Components.....                               | 97 |
| Catalog and Buyer's Guide .....                                | 97 |



## Coil-Over Shocks



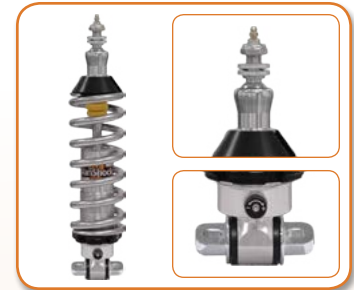
Poly Eye / Poly Base



COM-8 Eye / COM-8 Base



Swivel Ball / Poly Base



Swivel Ball / Poly Crossbar Base



Swivel Ball / COM-8 Base



Swivel Ball / Pivot Base



Swivel Ball / Pivot Crossbar Base

## Coil-Over Spring Seat Hardware and Components



Spring Seat Set



Extended Spring Seat Set



Spring Seat Thrust Bearings



Bump Stops

## Coil-Over Top Mount Eyes and Components



Extended COM-8 Eye



COM-8 Bearings



1/8"-Wide Bearing Spacers



1/2"-Wide Bearing Spacers



Extended Poly Eye



Poly Bushing Set



C/O to Stem Conversion

## Remote Reservoir Coil-Over Shocks and Components



NEW

Piggyback Reservoir



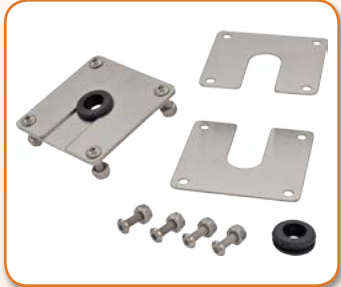
NEW

COM-8 Eye / COM-8 Long Base

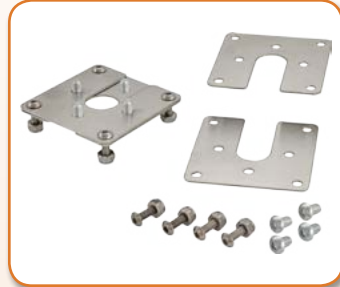


NEW

COM-8 Eye / COM-8 Base



Hose Passage Bulkhead



Single Reservoir Base Mount



Dual Reservoir Base Mount



Dual Reservoir Trunk Mount



Reservoir Surface Mount



Reservoir 1" Mount



Reservoir 1-5/8" Mount



3/4" Bore Hose Clamp

## Direct-Fit Front Shocks, Struts and Coil-Overs



'62-67 Chevy II / Nova



'62-67 Chevy II / Nova (Air)



'64-73 Mustang



'64-73 Mustang (Air)



'82-92 Camaro, '79-04 Mustang



'82-92 Camaro, '79-04 Mustang



'93-03 Camaro (F-Body)



OEM Replacement

## Direct-Fit Rear Shocks, Coil-Overs, Air-Springs and Components



'64-72 Chevelle (A-Body)



'64-72 Chevelle (A-Body)



'64-72 Chevelle (A-Body)



OEM Replacement



'79-04 Mustang



Ford 8.8 Lower Shock Mount

## Custom-Fit Coil-Over and Air-Spring Conversions



Coil-Over Shocks/Mounts



Air-Spring Shocks/Mounts



Front Coil Spring Package



Rear Coil Spring Package

## Drag Race Integral Spindle Struts - Complete Systems



Stem Mount Strut



Eye Mount Strut



Piggyback Reservoir

NEW

## Drag Race Strut Mounts - Individual Components



Stem Bushing Mount



Stem COM Mount



Adjustable COM Mount



Lower A-Arm Strut Mount

## VariSpring 2-1/2" ID Coil Springs



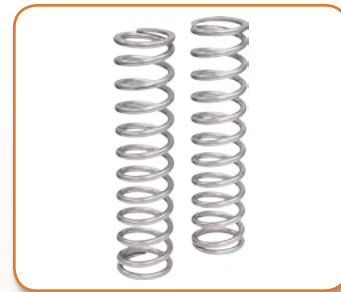
7" Coil-Springs



9" Coil-Springs



12" Coil-Springs



14" Coil-Springs

## Tools



Spring Compressor



Spanner Wrench



4.25" Shock Simulator

## Air-Spring Shocks



6" Double Convoluted Bag



5" Tapered Sleeve



4" Sleeve



Swivel Ball / Poly Crossbar Base



Swivel Ball / COM-8 Base



Swivel Ball / Pivot Base

## Smooth Body Custom-Fit Shocks



COM-8 Eye / COM-8 Base



Spool Eye / Spool Base



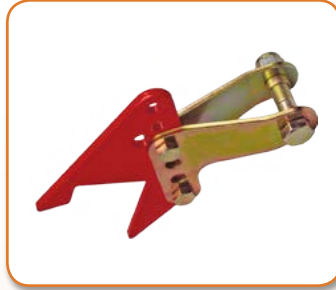
Poly Stem / Spool Base



## Shock Mounts and Individual Components



Shock Crossmember



Chassis Shock Mounts



Axle Shock Mounts



Stainless Spud Hardware



Billet Mount Clevis



Shock Mount Tabs

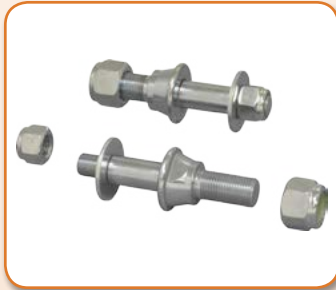


Tubular Arm Mounts



Stamped Arm Mounts

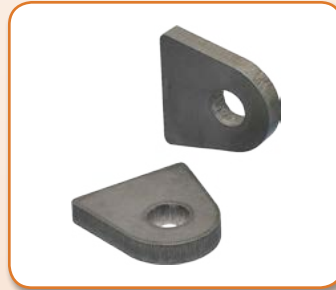
## Cantilever Pins Mounts and Individual Components



Cantilever Pins



Weld-In Pin Mount Bosses

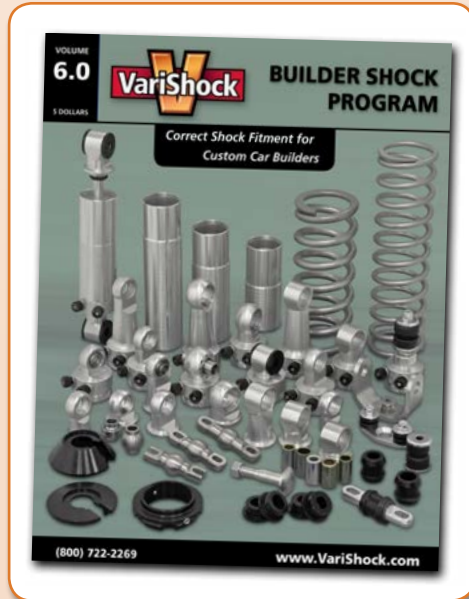


Weld-In Pin Mount Tabs

## Complete Catalogs and Buyer's Guides



VariShock Product Catalog



Builder Shock Program Guide

# Component Drive Systems



Component Drive Systems (CDS) is an exciting new line of products from Chris Alston's Chassisworks focused on offering the highest-quality, direct bolt-on, gear- and belt-driven accessory systems for popular racing and street-performance engines. Initially a selection of billet aluminum supercharger drives designed for single- or dual-configurations (gear-drive only), the CDS product line continues to expand with additional engine applications and accessory drives, as well as a selection of driven accessories. Product applications include ProCharger, Vortech, and Paxton superchargers, and popular aftermarket accessories, on a growing list of motors.



Look for items tagged **NEW** and **UPDATED** to see what we've been working on.

**NEW**



## Component Drive Systems Contents

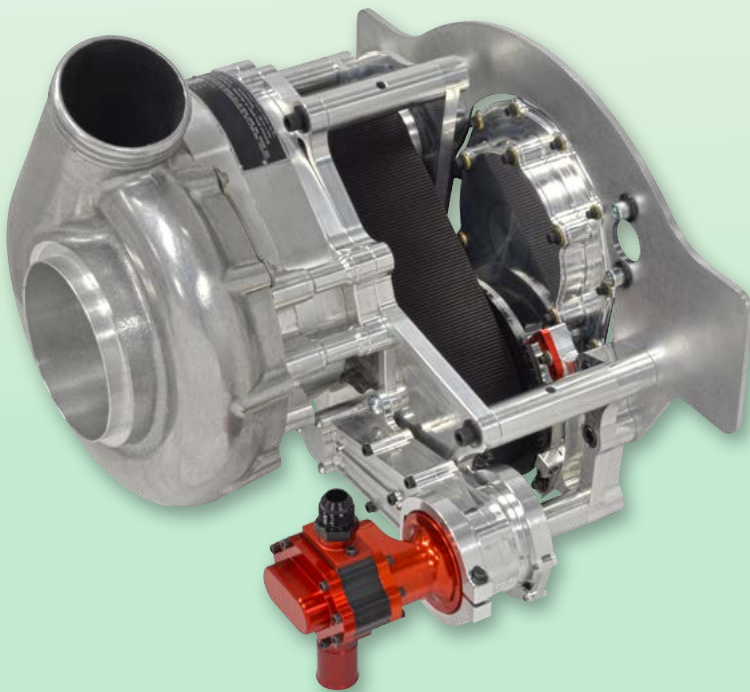
|                                       |     |
|---------------------------------------|-----|
| Gear and Belt Drives .....            | 100 |
| Driven Accessories and Adapters ..... | 101 |
| Distributor and Cam Drive .....       | 101 |
| Reduction and Line Drives.....        | 102 |

## ✓ Engine Applications

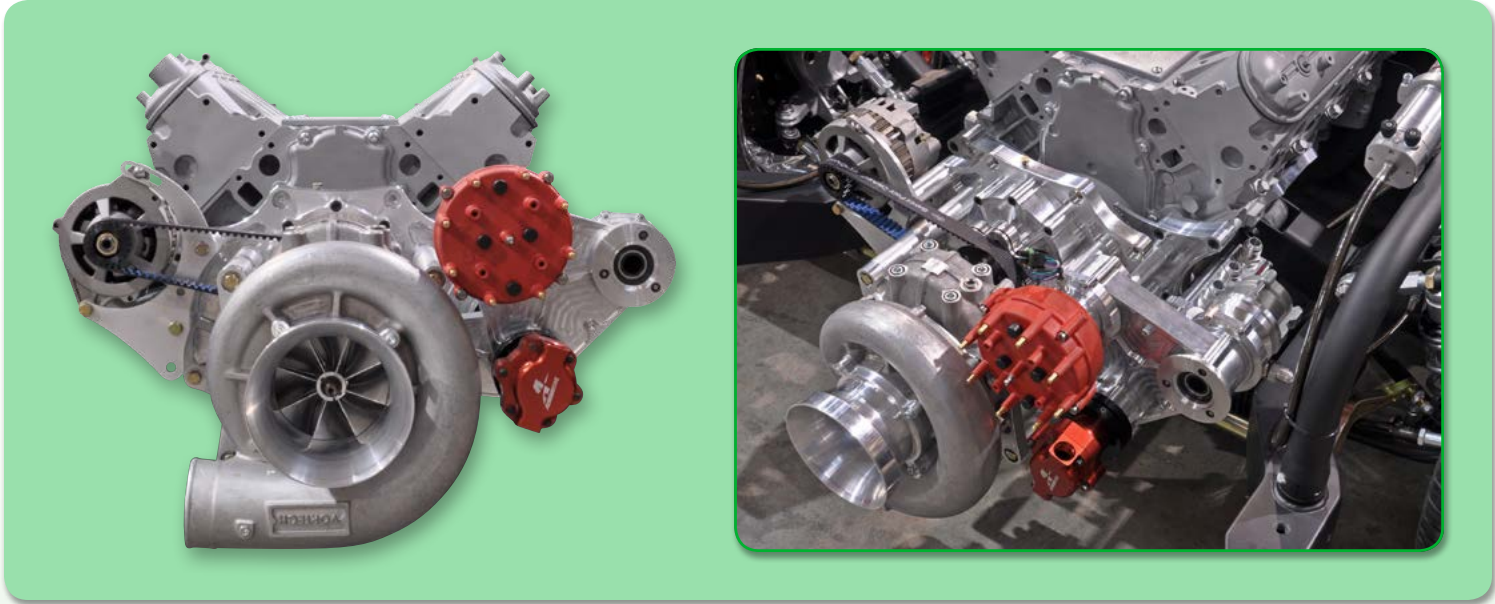
- Chevy Small Block
- Chevy Big Block
- Chevy LS-Series
- Ford Small Block
- Ford Big Block
- Ford Modular
- Oldsmobile V8
- Pontiac V8
- Studebaker V8
- More coming soon

## ✓ Supported Superchargers

- Vortech
- ProCharger
- Paxton



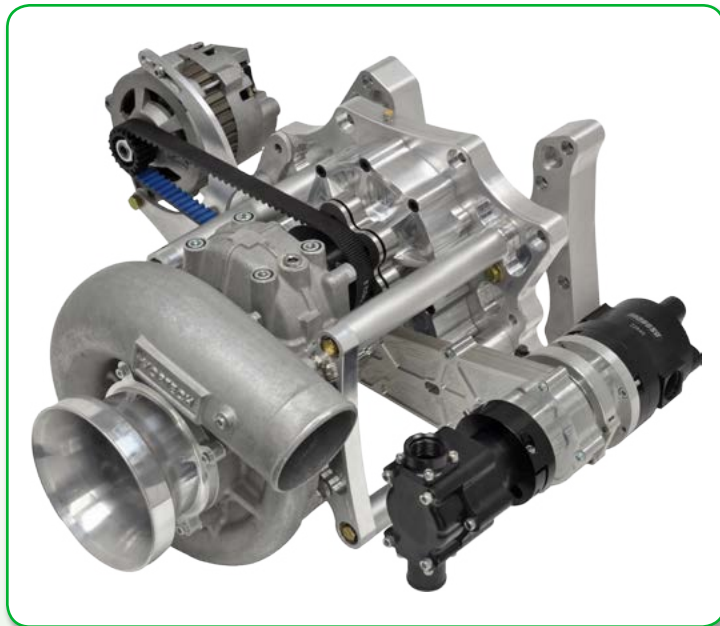
# Component Drive Systems



# Component Drive Systems



## Gear Drive with Accessory Drives



## Belt Drive with Accessory Drives



## Single Supercharger Gear Drives



## Dual Supercharger Gear Drives



## Drive Hubs and Bushings



6-Bushing Drive Hubs



12-Bushing Drive Hubs

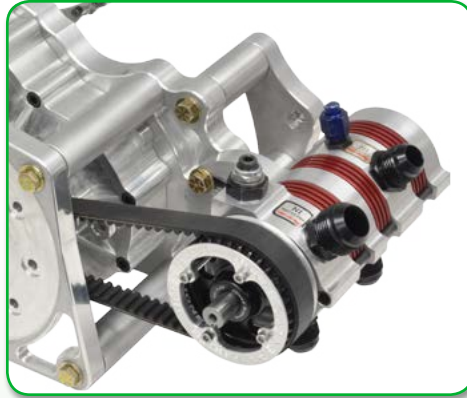
# Component Drive Systems



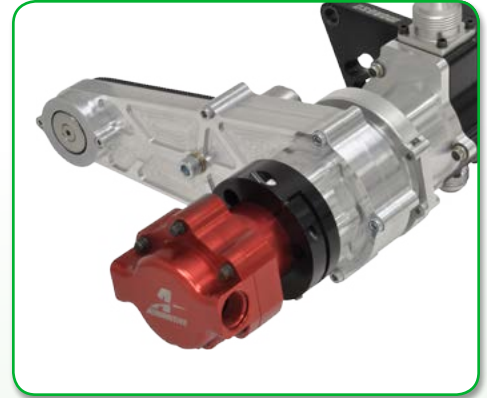
## Driven Accessories and Adapters



Alternator Drive



Open Oil Pump Drive



Aeromotive Fuel Pump



Peterson Dry Sump Pump



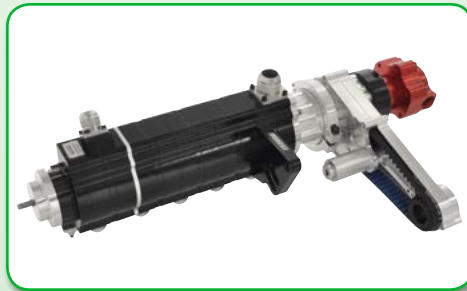
Star Vacuum Pump



Moroso Vacuum Pump



CDS Water Pump



Moroso Dry Sump Pump



Cable Drive

## Distributor and Cam Drive



Distributor and Cam Drive



CDS Distributor

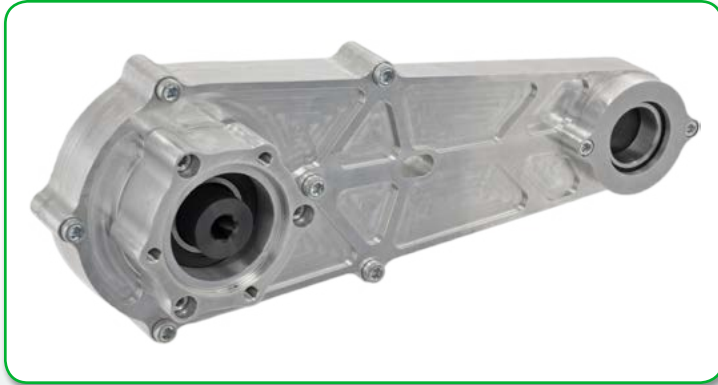


Cam Drive

# Component Drive Systems



## Reduction Drives, Line Drives and Components



Closed Reduction Drive



Open Reduction Drive



Line Drive



Reduction and Line Drive



Drive Cap



Drive Flange



Band Clamp

# Fourteen Individual Catalogs Available to Download



**1300+ pages!**

Website: [CChassisworks.com](http://CChassisworks.com)

Ordering: 1-888-388-0239

Facebook: [facebook.com/CChassisworks](https://facebook.com/CChassisworks)

Technical: 1-916-388-0288

Email: [sales@cachassisworks.com](mailto:sales@cachassisworks.com)

Fax: 1-916-388-0295

Address: 8661 Younger Creek Drive  
Sacramento, CA 95828

Dealer Info: 1-888-388-0239 ext. 233

[crobinson@cachassisworks.com](mailto:crobinson@cachassisworks.com)

# CHRIS ALSTON'S Chassisworks

8661 Younger Creek Drive  
Sacramento, CA 95828

1

## CHOOSE A BRAND

...in the Booklet or on the Web  
Go to page 2 to see our product groups



2

## FIND YOUR PRODUCT

Browse that section  
to find what you want



3

## CALL OR BROWSE BOOKLET ONLINE

Go to [CACHassisworks.com/Everything](http://CACHassisworks.com/Everything)  
for the clickable 'Everything' Booklet



### LINKED INFO

Pricing

Options

Testimonials

Applications

Instructions

Data Sheets

Tech Info

Images

Catalogs

Videos



**888.388.0239**  
[CACHassisworks.com/Everything](http://CACHassisworks.com/Everything)

Code: 0239

CHRIS ALSTON'S  
**Chassisworks**  
THE HOME OF HIGHER TECHNOLOGY

8631\_20190701