

**Forged Aluminum Four-Piston Caliper with
Vented Rotor and Billet Aluminum Hub**



SRP Series Rotor shown

Available with directional vaned, smooth surface, uncoated HP Series Rotor

Front Disc Brakes - Street

Our front disc brake kit features fixed, four-piston, forged aluminum calipers and 10.75", 11.00" or 11.75" x .81" vented rotors (size dependent upon application), with billet aluminum hats and hubs. The bolt together hat, hub, rotor assembly allows worn or damaged components to be replaced easily and economically. Standard HP rotors are uncoated and feature a smooth abrasion surface ideal for extended high temperature operation. Kits can also be upgraded to slotted, cross-drilled and zinc-washed SRP rotors. Our enhanced friction ceramic formula brake pads provide smooth engagement, long service life, with low noise and brake dust levels for performance driving applications. The kit is designed for use with OEM spindles and requires 14" (10.75" rotor), 15" (11.75" rotor) or larger wheels.

Forged Dynalite Caliper

Wilwood's Forged Dynalite (FDL) four-piston, aluminum, lug mount caliper is used for its superior rigidity, enhanced braking performance and pedal feel. The calipers use a closed end, internal fluid passage design that is further strengthened by four steel bridge bolts extending through the caliper body. Stress flow forging and smooth surface transitions help to eliminate stress points and reduce overall caliper deflection.



Optional red powder-coated caliper

FDL calipers use one-piece, 1.75" diameter, stainless steel pistons and high temperature, square faced bore seals. Stainless steel slows heat transfer to the brake fluid and improves the systems resistance to heat induced pedal fade. This reduction in heat also increases the service life of the fluid and seals. The four individual pistons apply pressure against both sides of the rotor. Caliper fluid requirements are matched to the output capabilities of commonly used factory master cylinders ensuring comfortable performance in a wide range of applications.

The Dynalite calipers are trouble-free and service friendly. Vibration dampening stainless steel bridge plate inserts protect the caliper body from wear caused by pad movement, greatly extending service life. Two-piece bleed screws are easily accessed at each corner of the caliper body and eliminate direct wear to the aluminum body. Brake pads are also easily changed by simply removing the retaining pin and sliding the pads out.

High Performance Rotors

The kit comes standard with HP series vented, smooth surface, rotors measuring 10.75", 11.00", or 11.75" x .81". HP rotors are uncoated and can withstand extreme operating temperatures for extended periods of time; ideal for high performance applications. For more eye-catching high-end street performance, rotors can be upgraded to SRP series vented, cross-drilled, slotted and black E-coated versions. To maximize cooling surface area, 32 individual air passages are cast internally into each rotor. Air passages or vents, offer increased airflow and cooling capability over standard solid rotor designs. The optional SRP rotor with slotted surface and cross-drilled holes improve pad to rotor contact by wiping the pad clean and allowing brake dust and gases to be easily exhausted.



HP Rotor

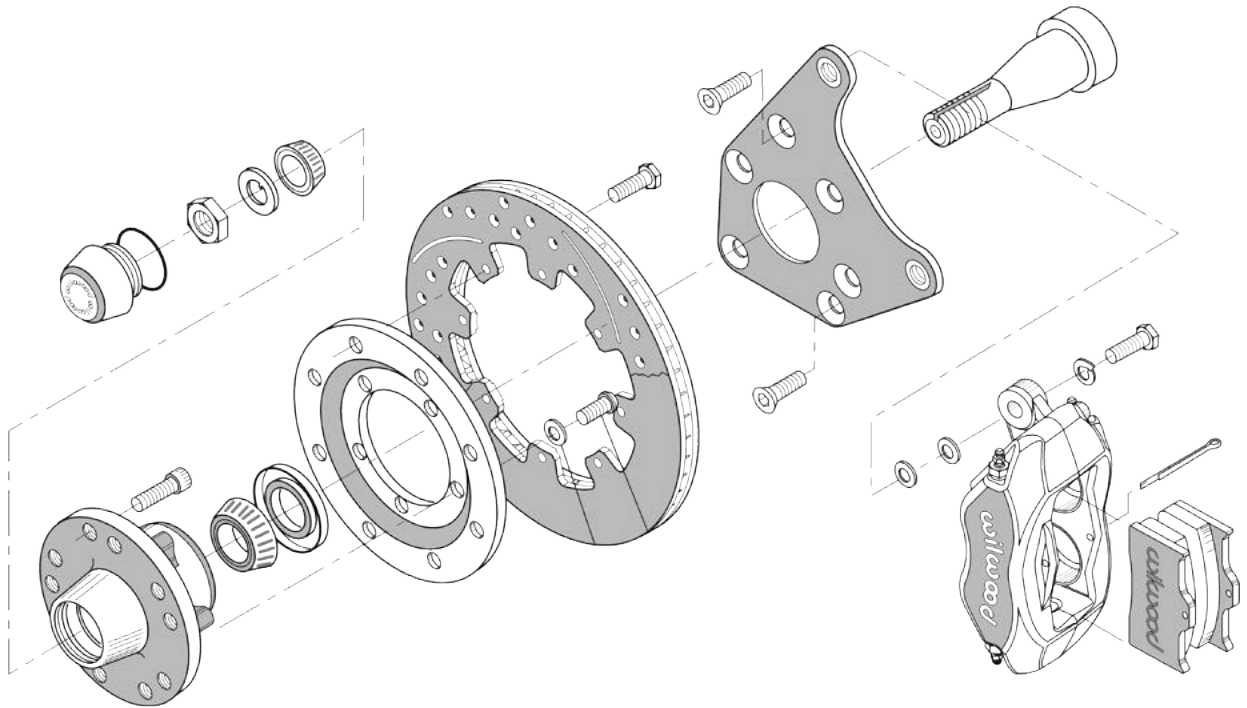


SRP Rotor

Billet Aluminum Hat and Hub

Separate billet aluminum hats and hubs reduce unnecessary weight and allow components to be easily replaced if damaged or worn. Hats use a solid wall, concave design to improve rotor stability. Their clear anodized finish prevents oxidation and resists scratching. Rotors and hats are secured by Grade 8, safety wire drilled, hex bolts in an 8-bolt configuration. Hubs are silver anodized machine finished with matching screw-on cap with O-ring seal. Assemblies include both 4-1/2" and 4-3/4" five lug bolt patterns with 1/2" x 1-3/4" wheel studs or optional 1/2" x 3" studs. Wheel bearings and seals also included.

Exploded Diagram



WW 140-4304 shown in illustration

Applications

Make	Model	Year	Notes	Spindle	Rotor Size	Solid Rotor	Drilled Rotor
Buick	Apollo	1973-1974	-	Disc/Drum	10.75	WW 140-2285	WW 140-2285-D
	Apollo	1975-1975	4	Disc	10.75	WW 140-3445	WW 140-3445-D
	Buick, rwd w/11" Rotor	1979-1985	3	Disc	10.75	WW 140-8174	WW 140-8174-D
	Buick, GN, Late	1979-1987	4, 8	Disc	10.75	WW 140-2508	WW 140-2508-D
	Century	1973-1977	4	Disc	10.75	WW 140-3445	WW 140-3445-D
	Century, Late	1979-1981	4, 8	Disc	10.75	WW 140-2508	WW 140-2508-D
	Regal	1973-1977	4	Disc	10.75	WW 140-3445	WW 140-3445-D
	Regal, Late	1979-1987	4, 8	Disc	10.75	WW 140-2508	WW 140-2508-D
	Skylark	1975-1978	4	Disc	10.75	WW 140-3445	WW 140-3445-D
	Skylark	1979-1979	4	Disc	10.75	WW 140-8174	WW 140-8174-D
	Special	1967-1972	-	Disc	10.75	WW 140-2285	WW 140-2285-D
	Special	1973-1974	4	Disc	10.75	WW 140-3445	WW 140-3445-D
Chevrolet	Belair	1955-1957	6	Drum	11.75	WW 140-3425	WW 140-3425-D
	Belair/Biscayne	1959-1964	6, 7	Drum	11.75	WW 140-5329	WW 140-5329-D
	Blazer, 4x2, 100.5" Wheel Base	1983-1990	4	Disc	10.75	WW 140-2508	WW 140-2508-D
	Camaro	1967-1969	-	Disc/Drum	10.75	WW 140-2285	WW 140-2285-D
	Camaro	1982-1987	4	Disc	10.75	WW 140-2992	WW 140-2992-D
	Camaro	1970-1978	4	Disc	10.75	WW 140-3445	WW 140-3445-D
	Camaro	1979-1981	4	Disc	10.75	WW 140-8174	WW 140-8174-D
	Camaro, Single Piston Caliper	1988-1992	4		10.75	WW 140-2992	WW 140-2992-D

Applications (continued)

Make	Model	Year	Notes	Spindle	Rotor Size	Solid Rotor	Drilled Rotor
Chevrolet (continued)	Caprice	1977-1978	4	Disc	10.75	WW 140-3445	WW 140-3445-D
	Chevelle	1967-1972	-	Disc/Drum	10.75	WW 140-2285	WW 140-2285-D
	Chevelle	1973-1977	4	Disc	10.75	WW 140-3445	WW 140-3445-D
	Chevelle, Modified	1964-1966	1	Drum	10.75	WW 140-2285	WW 140-2285-D
	Chevrolet, Full Size	1977-1978	4	Disc	10.75	WW 140-3445	WW 140-3445-D
	Chevrolet, Passenger w/11" Rotor	1979-1990	3, 4	Disc	10.75	WW 140-8174	WW 140-8174-D
	Chevy II/Nova	1967-1974	-	Disc/Drum	10.75	WW 140-2285	WW 140-2285-D
	Chevy S10	1982-1990	4	Disc	10.75	WW 140-2508	WW 140-2508-D
	Chevy II, Modified	1964-1966	1	Drum	10.75	WW 140-2285	WW 140-2285-D
	Corvette	1963-1964	6, 7	Drum	11.75	WW 140-5329	WW 140-5329-D
	El Camino	1967-1972	-	Disc/Drum	10.75	WW 140-2285	WW 140-2285-D
	El Camino	1973-1977	4	Disc	10.75	WW 140-3445	WW 140-3445-D
	El Camino, Modified	1964-1966	1	Drum	10.75	WW 140-2285	WW 140-2285-D
	El Camino, Late	1979-1987	4, 8	Disc	10.75	WW 140-2508	WW 140-2508-D
	Impala	1959-1964	6, 7	Drum	11.75	WW 140-5329	WW 140-5329-D
	Impala, w/11" Rotor	1977-1978	3, 4	Disc	10.75	WW 140-3445	WW 140-3445-D
	Malibu	1973-1977	4	Disc	10.75	WW 140-3445	WW 140-3445-D
	Malibu, Late	1979-1987	4, 8		10.75	WW 140-2508	WW 140-2508-D
	Monte Carlo	1970-1972	-	Disc/Drum	10.75	WW 140-2285	WW 140-2285-D
	Monte Carlo	1973-1977	8	Disc	10.75	WW 140-3445	WW 140-3445-D
Monte Carlo, Late	1979-1988	4, 8	Disc	10.75	WW 140-2508	WW 140-2508-D	
Nova	1975-1978	4	Disc	10.75	WW 140-3445	WW 140-3445-D	
Nova	1979-1979	3, 4	Disc	10.75	WW 140-8174	WW 140-8174-D	
Dodge/Chrysler	Aspen	1976-1980	13	Disc	10.75	WW 140-2729	WW 140-2729-D
	Challenger	1970-1972	13	Drum	10.75	WW 140-2721	WW 140-2721-D
	Challenger	1970-1972	13	Disc	10.75	WW 140-2726	WW 140-2726-D
	Challenger	1973-1974	9, 13	Disc	10.75	WW 140-2729	WW 140-2729-D
	Charger	1966-1972	13	Drum	10.75	WW 140-2721	WW 140-2721-D
	Charger	1970-1972	13	Disc	10.75	WW 140-2726	WW 140-2726-D
	Charger	1973-1978	13	Disc	10.75	WW 140-2729	WW 140-2729-D
	Chrysler F-Body Passenger	1979-1988	13	Disc	10.75	WW 140-2729	WW 140-2729-D
	Cordoba	1975-1983	13	Disc	10.75	WW 140-2729	WW 140-2729-D
	Coronet	1965-1972	13	Drum	10.75	WW 140-2721	WW 140-2721-D
	Coronet	1970-1972	13	Disc	10.75	WW 140-2726	WW 140-2726-D
	Coronet	1973-1976	13	Disc	10.75	WW 140-2729	WW 140-2729-D
	Dart	1963-1972	13	9" Drum	10.75	WW 140-2722	WW 140-2722-D
	Dart	1965-1972	13	10" Drum	10.75	WW 140-2723	WW 140-2723-D
	Dart	1973-1974	9, 13	Disc	10.75	WW 140-2729	WW 140-2729-D
	Diplomat	1977-1988	13	Disc	10.75	WW 140-2729	WW 140-2729-D
	Dodge Pass, except 880 series	1962-1964	13	Drum	10.75	WW 140-2721	WW 140-2721-D
	Dodge F-Body Passenger	1973-1981	13	Disc	10.75	WW 140-2729	WW 140-2729-D
	Imperial	1981-1983	13	Disc	10.75	WW 140-2729	WW 140-2729-D
	Lancer	1961-1962	13	9" Drum	10.75	WW 140-2722	WW 140-2722-D

Applications (continued)

Make	Model	Year	Notes	Spindle	Rotor Size	Solid Rotor	Drilled Rotor
Dodge/Chrysler (continued)	LeBaron	1977-1981	13	Disc	10.75	WW 140-2729	WW 140-2729-D
	Magnum	1978-1979	13	Disc	10.75	WW 140-2729	WW 140-2729-D
	Mirada	1980-1983	13	Disc	10.75	WW 140-2729	WW 140-2729-D
	R/T	1967-1970	13	Drum	10.75	WW 140-2721	WW 140-2721-D
	R/T	1970-1970	13	Disc	10.75	WW 140-2726	WW 140-2726-D
Ford	Early Ford Passenger, Car Spndl	1937-1948	11	Drum	10.75	WW 140-5883	WW 140-5883-D
	Early Ford Passenger, Car Spndl	1937-1948	-	Drum	10.75	WW 140-2260	WW 140-2260-D
	Fairlane	1966-1969	5	Disc/Drum	11.75	WW 140-4304	WW 140-4304-D
	Fairlane	1970-1971	-	Disc/Drum	11.75	WW 140-9054	WW 140-9054-D
	Falcon	1965-1969	5	Disc/Drum	11.75	WW 140-4304	WW 140-4304-D
	Falcon	1970-1971	-	Disc/Drum	11.75	WW 140-9054	WW 140-9054-D
	Maverick	1970-1973	-	Drum	11.75	WW 140-9054	WW 140-9054-D
	Mustang V8 Spindle	1965-1969	5	Disc/Drum	11.75	WW 140-4304	WW 140-4304-D
	Mustang Shelby, GT350, GT500	1970-1970	5	Disc	11.75	WW 140-4304	WW 140-4304-D
	Mustang II	1974-1978	-	Disc	10.75	WW 140-2129	WW 140-2129-D
	Mustang	1970-1973	-	Disc/Drum	11.75	WW 140-9054	WW 140-9054-D
	Mustang II - 11" Rotor Kit	1974-1978	12	Disc	11.00	WW 140-8652	WW 140-8652-D
	Mustang, 5 Lug	1987-1993	-	Disc	10.75	WW 140-7589	WW 140-7589-D
	Pinto	1971-1980	-	Disc/Drum	10.75	WW 140-2129	WW 140-2129-D
	Pinto	1971-1980	12	Disc/Drum	11.00	WW 140-8652	WW 140-8652-D
	Ranchero	1967-1969	5	Disc/Drum	11.75	WW 140-4304	WW 140-4304-D
GMC	GMC Sprint	1971-1972	-	Disc/Drum	10.75	WW 140-2285	WW 140-2285-D
	GMC Sprint	1979-1987	4	Disc	10.75	WW 140-2508	WW 140-2508-D
	GMC Sprint	1973-1977	4	Disc	10.75	WW 140-3445	WW 140-3445-D
	Jimmy, 4x2, 100.5" Wheel Base	1983-1990	4	Disc	10.75	WW 140-2508	WW 140-2508-D
	S15, 4x2	1982-1990	4	Disc	10.75	WW 140-2508	WW 140-2508-D
Mercury	Bobcat	1975-1980	-	Disc	10.75	WW 140-2129	WW 140-2129-D
	Bobcat - 11" Rotor Kit	1975-1980	12	Disc	11.00	WW 140-8652	WW 140-8652-D
	Comet	1965-1969	5	Disc/Drum	11.75	WW 140-4304	WW 140-4304-D
	Comet	1970-1973	-	Disc/Drum	11.75	WW 140-9054	WW 140-9054-D
	Cougar	1967-1969	5	Disc/Drum	11.75	WW 140-4304	WW 140-4304-D
	Cougar	1970-1973	-	Disc/Drum	11.75	WW 140-9054	WW 140-9054-D
	Montego	1970-1971	-	Disc/Drum	11.75	WW 140-9054	WW 140-9054-D
Oldsmobile	Cutlass	1973-1977	4	Disc	10.75	WW 140-3445	WW 140-3445-D
	Cutlass, Late, Rear Wheel Drive	1979-1988	4, 8		10.75	WW 140-2508	WW 140-2508-D
	F-85	1967-1972	-	Disc	10.75	WW 140-2285	WW 140-2285-D
	F-85	1970-1972	10	Drum	10.75	WW 140-2285	WW 140-2285-D
	F-85	1973-1977	4	Disc	10.75	WW 140-3445	WW 140-3445-D
	Oldsmobile w/ 11" Rotor	1977-1978	4	Disc	10.75	WW 140-3445	WW 140-3445-D
	Oldsmobile w/ 11" Rotor	1979-1985	4	Disc	10.75	WW 140-8174	WW 140-8174-D
	Omega	1973-1974	-	Disc/Drum	10.75	WW 140-2285	WW 140-2285-D
	Omega	1975-1978	4	Disc	10.75	WW 140-3445	WW 140-3445-D
	Omega	1979-1979	4	Disc	10.75	WW 140-8174	WW 140-8174-D

Applications (continued)

Make	Model	Year	Notes	Spindle	Rotor Size	Solid Rotor	Drilled Rotor
Plymouth	Barracuda	1964-1969	13	9" Drum	10.75	WW 140-2722	WW 140-2722-D
	Barracuda	1965-1969	13	10" Drum	10.75	WW 140-2723	WW 140-2723-D
	Barracuda	1970-1972	13	Drum	10.75	WW 140-2721	WW 140-2721-D
	Barracuda	1970-1972	13	Disc	10.75	WW 140-2726	WW 140-2726-D
Plymouth (continued)	Barracuda	1973-1974	9, 13	Disc	10.75	WW 140-2729	WW 140-2729-D
	Belvedere	1965-1970	13	Drum	10.75	WW 140-2721	WW 140-2721-D
	Belvedere	1970-1970	13	Disc	10.75	WW 140-2726	WW 140-2726-D
	Fury (except Gran)	1975-1977	13	Disc	10.75	WW 140-2729	WW 140-2729-D
	GTX	1967-1971	13	Drum	10.75	WW 140-2721	WW 140-2721-D
	GTX	1970-1971	13	Disc	10.75	WW 140-2726	WW 140-2726-D
	Plymouth	1962-1964	13	Drum	10.75	WW 140-2721	WW 140-2721-D
	Plymouth F-Body Passenger	1976-1988	13	Disc	10.75	WW 140-2729	WW 140-2729-D
	Road Runner	1968-1972	13	Drum	10.75	WW 140-2721	WW 140-2721-D
	Road Runner	1970-1972	13	Disc	10.75	WW 140-2726	WW 140-2726-D
	Satellite	1965-1972	13	Drum	10.75	WW 140-2721	WW 140-2721-D
	Satellite	1970-1972	13	Disc	10.75	WW 140-2726	WW 140-2726-D
	Satellite	1973-1975	13	Disc	10.75	WW 140-2729	WW 140-2729-D
	Superbee	1968-1970	13	Drum	10.75	WW 140-2721	WW 140-2721-D
	Superbee	1970-1970	13	Disc	10.75	WW 140-2726	WW 140-2726-D
	Valiant	1960-1972	13	9" Drum	10.75	WW 140-2722	WW 140-2722-D
	Valiant	1965-1972	13	10" Drum	10.75	WW 140-2723	WW 140-2723-D
	Valiant	1973-1974	9, 13		10.75	WW 140-2729	WW 140-2729-D
	Volare	1976-1980	13	Disc	10.75	WW 140-2729	WW 140-2729-D
	Pontiac	Bonneville	1982-1986	4	Disc	10.75	WW 140-2508
Firebird		1982-1987	4	Disc	10.75	WW 140-2992	WW 140-2992-D
Firebird		1970-1978	4	Disc	10.75	WW 140-3445	WW 140-3445-D
Firebird		1979-1981	4	Disc	10.75	WW 140-8174	WW 140-8174-D
Firebird, Single Piston Caliper		1988-1992	4		10.75	WW 140-2992	WW 140-2992-D
Grand Prix		1973-1977	4	Disc	10.75	WW 140-3445	WW 140-3445-D
Grand Prix, Late		1979-1987	4, 8	Disc	10.75	WW 140-2508	WW 140-2508-D
LeMans		1973-1977	4	Disc	10.75	WW 140-3445	WW 140-3445-D
LeMans, Late		1979-1981	4, 8	Disc	10.75	WW 140-2508	WW 140-2508-D
Phoenix		1977-1978	4	Disc	10.75	WW 140-3445	WW 140-3445-D
Phoenix		1979-1979	4	Disc	10.75	WW 140-8174	WW 140-8174-D
Pontiac Full Size, w/ 11" Rotor		1977-1978	3, 4	Disc	10.75	WW 140-3445	WW 140-3445-D
Pontiac Full Size, w/ 11" Rotor		1979-1981	3, 4	Disc	10.75	WW 140-8174	WW 140-8174-D
Tempest		1973-1977	4	Disc	10.75	WW 140-3445	WW 140-3445-D
Ventura II		1971-1974	-	Disc/Drum	10.75	WW 140-2285	WW 140-2285-D
Ventura II		1975-1977	4	Disc	10.75	WW 140-3445	WW 140-3445-D

Applications (continued)

Notes:	
*	Red caliper option, add \$100
1	Mid 1965 and earlier models require spindle modifications
2	Caliper brackets not included
3	Disc spindles with 11" OEM rotor only
4	Factory caliper mounting ears and backing plate bolt holes must be modified
5	Backing plate mount holes must be redrilled and tapped on disc brake spindles
6	Front track width becomes approximately 1" wider per side. 15" disc brake offset wheels required.
7	Standard brakes only, no Z-11 or HD
8	Late spindle uses a torque nut to retain hub and bearing
9	Spindle must be modified
10	With O.A.I. drum spindle
11	360° bracket
12	Kit fits most aftermarket drop spindles
13	Hubs come drilled for 5 x 4.00" / 5 x 4.50" wheel lug patterns. However, the 5 x 4.00" pattern does not guarantee fitment with all 5 x 4.00" wheels, either OEM or aftermarket. Reference individual data sheets for wheel center hole clearance.

Notes:

All prices subject to change. Current pricing available at www.cachassisworks.com.



Chris Alston's Chassisworks, Inc.
8661 Younger Creek Drive
Sacramento, CA 95828

Order: 800-722-2269
Tech: 916-388-0288
Fax: 916-388-0295

sales@cachassisworks.com
www.cachassisworks.com