

**Drag Race Solid Rotor with Forged Aluminum
Four-Piston Caliper and Billet Aluminum Hub**



Drilled rotor shown

Available with smooth surface, non-drilled rotors

Front Disc Brakes - Drag Race

Our front drag race application disc brake kits feature fixed, four-piston, forged aluminum calipers and lightweight, 10-3/4" x .35" solid or drilled, black oxide finish rotors* with billet aluminum hats and hubs. The bolt together hat, hub, rotor assembly allows worn or damaged components to be replaced easily and economically. Our enhanced friction ceramic formula brake pads provide smooth engagement with consistent response from a flat torque curve throughout its entire effective temperature range. The kit is designed for use with OEM spindles and requires 14" or larger wheels*. Performance applications should be limited to drag race vehicles under 2,800 lbs. A parachute is also required on any vehicle exceeding 150 mph.

* - Kits 'WW 140-4307' and 'WW 140-4307-D' packaged with 11-3/4" x .35" rotors and require 15" or larger wheels.

Forged Dynalite Caliper

Wilwood's Forged Dynalite (FDL) four-piston, aluminum, lug mount caliper is used for its superior rigidity, enhanced braking performance and pedal feel. The calipers use a closed end, internal fluid passage design that is further strengthened by four steel bridge bolts extending through the caliper body. Stress flow forging and smooth surface transitions help to eliminate stress points and reduce overall caliper deflection.



Optional red powder-coated caliper

FDL calipers use one-piece, 1.75" diameter, stainless steel pistons and high temperature, square faced bore seals. Stainless steel slows heat transfer to the brake fluid and improves the systems resistance to heat induced pedal fade. This reduction in heat also increases the service life of the fluid and seals. The four individual pistons apply pressure against both sides of the rotor. Caliper fluid requirements are matched to the output capabilities of commonly used factory master cylinders ensuring comfortable performance in a wide range of applications.

The Dynalite calipers are trouble-free and service friendly. Vibration dampening stainless steel bridge plate inserts protect the caliper body from wear caused by pad movement, greatly extending service life. Two-piece bleed screws are easily accessed at each corner of the caliper body and eliminate direct wear to the aluminum body. Brake pads are also easily changed by simply removing the retaining pin and sliding the pads out.

Lightweight Performance Rotors

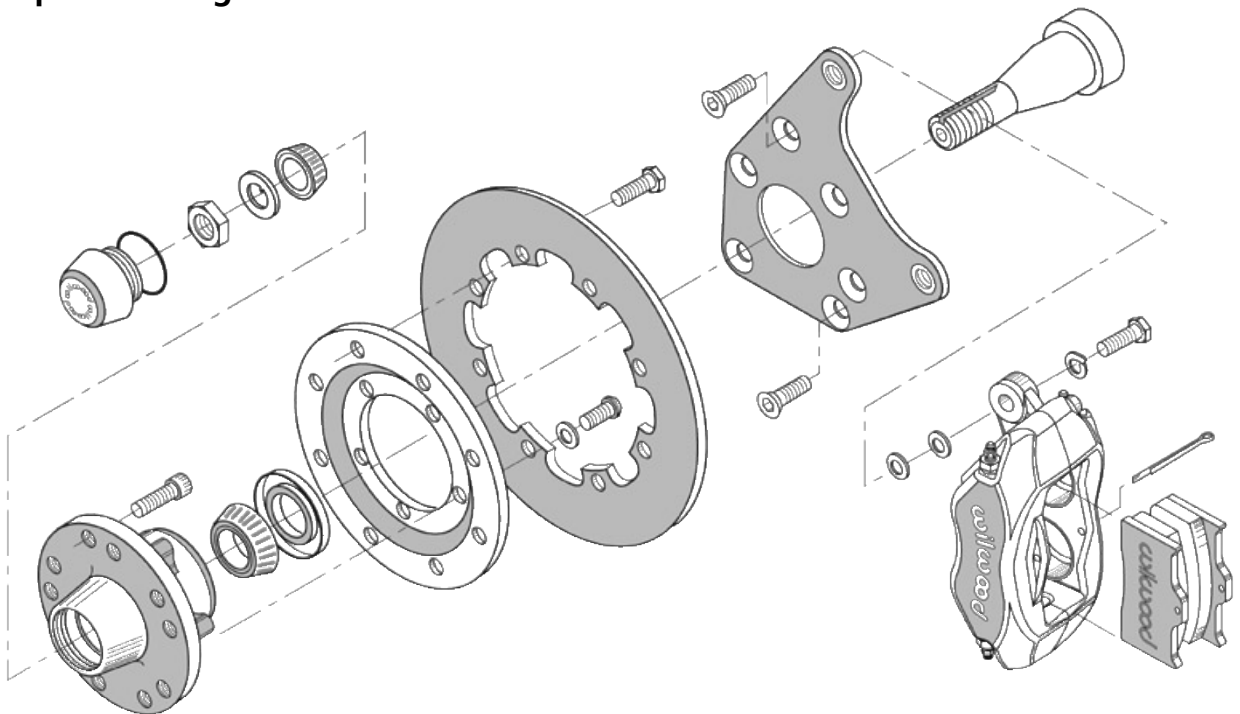
The kit comes standard with black oxide coated, solid rotors, constructed from special alloy steel for its high thermal stability and resistance to distortion. These lightweight performance rotors are designed specifically for drag racing applications under 2,800 pounds. Rotors measure 10.75" or 11.75" x .35" and weigh in at a mere 5.9 lbs or less. For more catching performance and reduced weight, rotors can be upgraded to a drilled version.



Billet Aluminum Hat and Hub

Separate billet aluminum hats and hubs reduce unnecessary weight and allow components to be easily replaced if damaged or worn. Hats use a solid wall, concave design to improve rotor stability. Their clear anodized finish prevents oxidation and resists scratching. Rotors and hats are secured by grade 8, safety wire drilled, hex bolts in an 8-bolt configuration. Hubs are silver anodized, machine finished with matching screw-on cap with O-ring seal. Assemblies include both 4-1/2" and 4-3/4" five lug bolt patterns with 1/2" x 3" wheel studs. Wheel bearings and seals also included.

Exploded Diagram



WW 140-4307 shown in illustration

Applications

Make	Model	Year	Notes	Spindle	Rotor Size	Solid Rotor	Drilled Rotor
						\$605.00*	\$625.00*
Buick	Apollo	1973-1974	-	Disc/Drum	10.75	WW 140-1017	WW 140-1017-D
	Apollo	1975-1975	3	Disc	10.75	WW 140-1019	WW 140-1019-D
	RWD w/11" Rotor	1979-1985	-	Disc	10.75	WW 140-8175	WW 140-8175-D
	Grand National, Late	1979-1987	3, 5	Disc	10.75	WW 140-1033	WW 140-1033-D
	Century	1973-1977	3	Disc	10.75	WW 140-1019	WW 140-1019-D
	Century, Late	1979-1981	3, 5	Disc	10.75	WW 140-1033	WW 140-1033-D
	Regal	1973-1977	3	Disc	10.75	WW 140-1019	WW 140-1019-D
	Regal, Late	1979-1987	3, 5	Disc	10.75	WW 140-1033	WW 140-1033-D
	Skylark	1975-1978	3	Disc	10.75	WW 140-1019	WW 140-1019-D
	Skylark	1979-1979	-	Disc	10.75	WW 140-8175	WW 140-8175-D
Chevrolet	Blazer, 4x2, 100.5" Wheel Base	1983-1990	3	Disc	10.75	WW 140-1033	WW 140-1033-D
	Camaro	1967-1969	-	Disc/Drum	10.75	WW 140-1017	WW 140-1017-D
	Camaro	1982-1987	3	Disc	10.75	WW 140-1035	WW 140-1035-D
	Camaro	1979-1981	3	Disc	10.75	WW 140-8175	WW 140-8175-D
	Camaro	1970-1978	3	Disc	10.75	WW 140-1019	WW 140-1019-D
	Camaro, Single Piston Caliper	1988-1992	3		10.75	WW 140-1035	WW 140-1035-D
	Caprice	1977-1978	3	Disc	10.75	WW 140-1019	WW 140-1019-D
	Chevelle	1967-1972	-	Disc/Drum	10.75	WW 140-1017	WW 140-1017-D
	Chevelle	1973-1977	3	Disc	10.75	WW 140-1019	WW 140-1019-D
	Chevelle, Modified	1964-1966	7	Drum	10.75	WW 140-1017	WW 140-1017-D
	Full Size	1977-1978	3	Disc	10.75	WW 140-1019	WW 140-1019-D

Applications (continued)

Make	Model	Year	Notes	Spindle	Rotor Size	Solid Rotor	Drilled Rotor
						\$605 ^{00*}	\$625 ^{00*}
Chevrolet (continued)	Passenger w/11" Rotor	1979-1990	2, 3	Disc	10.75	WW 140-8175	WW 140-8175-D
	Chevy II/Nova	1967-1974	-	Disc/Drum	10.75	WW 140-1017	WW 140-1017-D
	Chevy S10	1982-1990	3	Disc	10.75	WW 140-1033	WW 140-1033-D
	Chevy II, Modified	1964-1966	7	Drum	10.75	WW 140-1017	WW 140-1017-D
	El Camino	1967-1972	-	Disc/Drum	10.75	WW 140-1017	WW 140-1017-D
	El Camino	1973-1977	3	Disc	10.75	WW 140-1019	WW 140-1019-D
	El Camino, Modified	1964-1966	7	Drum	10.75	WW 140-1017	WW 140-1017-D
	El Camino, Late	1979-1987	3, 5	Disc	10.75	WW 140-1033	WW 140-1033-D
	Impala, w/11" Rotor	1977-1978	2, 3	Disc	10.75	WW 140-1019	WW 140-1019-D
	Malibu	1973-1977	3	Disc	10.75	WW 140-1019	WW 140-1019-D
	Malibu, Late	1979-1987	3, 5		10.75	WW 140-1033	WW 140-1033-D
	Monte Carlo	1970-1972	-	Disc/Drum	10.75	WW 140-1017	WW 140-1017-D
	Monte Carlo	1973-1977	3	Disc	10.75	WW 140-1019	WW 140-1019-D
	Monte Carlo, Late	1979-1988	3, 5	Disc	10.75	WW 140-1033	WW 140-1033-D
	Nova	1975-1978	3	Disc	10.75	WW 140-1019	WW 140-1019-D
	Nova	1979-1979	3	Disc	10.75	WW 140-8175	WW 140-8175-D
Dodge/Chrysler	Aspen	1976-1980	9	Disc	10.75	WW 140-2719	WW 140-2719-D
	Challenger	1970-1972	9	Drum	10.75	WW 140-2711	WW 140-2711-D
	Challenger	1973-1974	6, 9	Disc	10.75	WW 140-2719	WW 140-2719-D
	Charger	1966-1972	9	Drum	10.75	WW 140-2711	WW 140-2711-D
	Charger	1973-1978	9	Disc	10.75	WW 140-2719	WW 140-2719-D
	F-Body Passenger	1979-1988	9	Disc	10.75	WW 140-2719	WW 140-2719-D
	Cordoba	1975-1983	9	Disc	10.75	WW 140-2719	WW 140-2719-D
	Coronet	1965-1972	9	Drum	10.75	WW 140-2711	WW 140-2711-D
	Coronet	1973-1976	9	Disc	10.75	WW 140-2719	WW 140-2719-D
	Dart	1963-1972	9	Drum (9")	10.75	WW 140-2712	WW 140-2712-D
	Dart	1965-1972	9	Drum (10")	10.75	WW 140-2713	WW 140-2713-D
	Dart	1973-1974	6, 9	Disc	10.75	WW 140-2719	WW 140-2719-D
	Diplomat	1977-1988	9	Disc	10.75	WW 140-2719	WW 140-2719-D
	Passenger (excludes 880 series)	1962-1964	9	Drum	10.75	WW 140-2711	WW 140-2711-D
	F-Body	1973-1981	9	Disc	10.75	WW 140-2719	WW 140-2719-D
	Imperial	1981-1983	9	Disc	10.75	WW 140-2719	WW 140-2719-D
	Lancer	1961-1962	9	Drum (9")	10.75	WW 140-2712	WW 140-2712-D
	LeBaron	1977-1981	9	Disc	10.75	WW 140-2719	WW 140-2719-D
	Magnum	1978-1979	9	Disc	10.75	WW 140-2719	WW 140-2719-D
	Mirada	1980-1983	9	Disc	10.75	WW 140-2719	WW 140-2719-D
R/T	1967-1970	9	Drum	10.75	WW 140-2711	WW 140-2711-D	
Ford	Early Passenger, Spindle	1937-1948	-		10.75	WW 140-1501	WW 140-1501-D
	Fairlane	1966-1969	-	Drum	11.75	WW 140-4307	WW 140-4307-D
	Fairlane	1967-1969	4	Disc	11.75	WW 140-4307	WW 140-4307-D
	Falcon	1965-1969	4	Disc/Drum	11.75	WW 140-4307	WW 140-4307-D
	Mustang SVO	1984-1986	3	Disc	10.75	WW 140-4503	WW 140-4503-D
	Mustang V8	1987-1993	3		10.75	WW 140-4503	WW 140-4503-D

Applications (continued)

Make	Model	Year	Notes	Spindle	Rotor Size	Solid Rotor	Drilled Rotor
						\$605 ^{00*}	\$625 ^{00*}
Ford (continued)	Mustang II	1974-1978	-	Disc	10.75	WW 140-1013	WW 140-1013-D
	Mustang V8	1965-1969	4	Disc/Drum	11.75	WW 140-4307	WW 140-4307-D
	Mustang Shelby, GT350, GT500	1970-1970	4	Disc	11.75	WW 140-4307	WW 140-4307-D
	Pinto	1971-1980	-	Disc/Drum	10.75	WW 140-1013	WW 140-1013-D
	Ranchero	1967-1969	4	Disc/Drum	11.75	WW 140-4307	WW 140-4307-D
	Thunderbird, Turbo Coupe	1987-1988	3	Disc	10.75	WW 140-4503	WW 140-4503-D
GMC	Sprint	1971-1972	-	Disc/Drum	10.75	WW 140-1017	WW 140-1017-D
	Sprint	1979-1987	3	Disc	10.75	WW 140-1033	WW 140-1033-D
	Sprint	1973-1977	3	Disc	10.75	WW 140-1019	WW 140-1019-D
	Jimmy, 4x2, 100.5" Wheel Base	1983-1990	3	Disc	10.75	WW 140-1033	WW 140-1033-D
	S15, 4x2	1982-1990	3	Disc	10.75	WW 140-1033	WW 140-1033-D
Mercury	Bobcat	1975-1980	-	Disc	10.75	WW 140-1013	WW 140-1013-D
	Comet	1965-1969	4	Disc/Drum	11.75	WW 140-4307	WW 140-4307-D
	Cougar	1967-1969	4	Disc/Drum	11.75	WW 140-4307	WW 140-4307-D
Oldsmobile	Cutlass	1973-1977	3	Disc	10.75	WW 140-1019	WW 140-1019-D
	Cutlass, Late, RWD	1979-1988	3		10.75	WW 140-1033	WW 140-1033-D
	F-85	1967-1972	-	Disc	10.75	WW 140-1017	WW 140-1017-D
	F-85	1970-1972	8	Drum	10.75	WW 140-1017	WW 140-1017-D
	F-85	1973-1977	3	Disc	10.75	WW 140-1019	WW 140-1019-D
	Oldsmobile w/ 11" Rotor	1977-1978	2, 3	Disc	10.75	WW 140-1019	WW 140-1019-D
	Oldsmobile w/ 11" Rotor	1979-1985	2, 3	Disc	10.75	WW 140-8175	WW 140-8175-D
	Omega	1973-1974	-	Disc/Drum	10.75	WW 140-1017	WW 140-1017-D
	Omega	1975-1978	3	Disc	10.75	WW 140-1019	WW 140-1019-D
Omega	1979-1979	3	Disc	10.75	WW 140-8175	WW 140-8175-D	
Plymouth	Barracuda	1964-1969	9	Drum (9")	10.75	WW 140-2712	WW 140-2712-D
	Barracuda	1965-1969	9	Drum (10")	10.75	WW 140-2713	WW 140-2713-D
	Barracuda	1970-1972	9	Drum	10.75	WW 140-2711	WW 140-2711-D
	Barracuda	1973-1974	6, 9	Disc	10.75	WW 140-2719	WW 140-2719-D
	Belvedere	1965-1970	9	Drum	10.75	WW 140-2711	WW 140-2711-D
	Fury (excludes Gran)	1975-1977	9	Disc	10.75	WW 140-2719	WW 140-2719-D
	GTX	1967-1971	9	Drum	10.75	WW 140-2711	WW 140-2711-D
	Plymouth	1962-1964	9	Drum	10.75	WW 140-2711	WW 140-2711-D
	F-Body Passenger	1976-1988	9	Disc	10.75	WW 140-2719	WW 140-2719-D
	Road Runner	1968-1972	9	Drum	10.75	WW 140-2711	WW 140-2711-D
	Satellite	1965-1972	9	Drum	10.75	WW 140-2711	WW 140-2711-D
	Satellite	1973-1975	9	Disc	10.75	WW 140-2719	WW 140-2719-D
	Superbee	1968-1970	9	Drum	10.75	WW 140-2711	WW 140-2711-D
	Valiant	1960-1972	9	Drum (9")	10.75	WW 140-2712	WW 140-2712-D
	Valiant	1965-1972	9	Drum (10")	10.75	WW 140-2713	WW 140-2713-D
	Valiant	1973-1974	6, 9		10.75	WW 140-2719	WW 140-2719-D
Pontiac	Bonneville	1982-1986	3	Disc	10.75	WW 140-1033	WW 140-1033-D
	Firebird	1982-1987	3	Disc	10.75	WW 140-1035	WW 140-1035-D
	Firebird	1970-1978	3	Disc	10.75	WW 140-1019	WW 140-1019-D

Applications (continued)

Make	Model	Year	Notes	Spindle	Rotor Size	Solid Rotor	Drilled Rotor
						\$605.00*	\$625.00*
Pontiac (continued)	Firebird	1979-1981	3	Disc	10.75	WW 140-8175	WW 140-8175-D
	Firebird, Single Piston Caliper	1988-1992	3		10.75	WW 140-1035	WW 140-1035-D
	Grand Prix	1973-1977	3	Disc	10.75	WW 140-1019	WW 140-1019-D
	Grand Prix, Late	1979-1987	3, 5	Disc	10.75	WW 140-1033	WW 140-1033-D
	LeMans	1973-1977	3	Disc	10.75	WW 140-1019	WW 140-1019-D
	LeMans, Late	1979-1981	3, 5	Disc	10.75	WW 140-1033	WW 140-1033-D
	Phoenix	1977-1978	3	Disc	10.75	WW 140-1019	WW 140-1019-D
	Phoenix	1979-1979	3	Disc	10.75	WW 140-8175	WW 140-8175-D
	Full Size, w/ 11" Rotor	1977-1978	2, 3	Disc	10.75	WW 140-1019	WW 140-1019-D
	Full Size, w/ 11" Rotor	1979-1981	2, 3	Disc	10.75	WW 140-8175	WW 140-8175-D
	Tempest	1973-1977	3	Disc	10.75	WW 140-1019	WW 140-1019-D
	Ventura II	1971-1974	-	Disc/Drum	10.75	WW 140-1017	WW 140-1017-D
	Ventura II	1975-1977	3	Disc	10.75	WW 140-1019	WW 140-1019-D

Notes:

*	Red caliper option, add \$100
1	Caliper brackets not included
2	Disc spindles with 11" OE rotor only
3	Factory caliper mounting ears and backing plate bolt holes must be modified
4	Backing plate mount holes must be redrilled and tapped on disc brake spindles
5	Late spindle uses a torque nut to retain hub and bearing
6	Spindle must be modified
7	Mid 1965 and earlier require spindle modifications
8	With O.A.I. drum spindle
9	Hubs come drilled for 5 x 4.00" / 5 x 4.50" wheel lug patterns. However, the 5 x 4.00" pattern does not guarantee fitment with all 5 x 4.00" wheels, either OEM or aftermarket. Reference individual data sheets for wheel center hole clearance.

All prices subject to change. Current pricing available at www.cachassisworks.com.



Chris Alston's Chassisworks, Inc.
8661 Younger Creek Drive
Sacramento, CA 95828

Order: 800-722-2269
Tech: 916-388-0288
Fax: 916-388-0295

sales@cachassisworks.com
www.cachassisworks.com