

Tandem Chamber Master Cylinder

The Wilwood master cylinder is a direct mount, high quality upgrade designed for use with aftermarket brake systems. Master cylinder bodies are die cast using premium aluminum alloy for increased durability with minimal weight. Exterior finishes are available 'as-cast' or 'bright finished' using a media burnishing technique. Caps are black anodized machined aluminum and secured by four fasteners to provide a leak-proof seal. Units are available with .88", 1.00" (manual) and 1.12" (power) bore sizes and feature a 2:1 volume ratio between the primary and secondary chambers. Includes tube adapter set.

Die Cast Construction

High-pressure die casting of a premium alloy produces a high-capacity body that is lightweight, looks great, and has the durability for competition. Die casting has the benefit of producing a detailed components with excellent dimensional tolerance and surface finish without the need for expensive machine time of an equivalent billet part. You end up with a lightweight, great looking part that performs and at a fraction of the cost. And for those wanting a show car look, a bright finish, media burnished version is available and guaranteed to catch the eye of the most discriminating enthusiasts.



Tandem Master Cylinder

100% Fluid Seal

A black anodized, machined billet lid captures a pressure balanced bellows gasket with 100% sealing against moisture invasion or fluid leakage. The aluminum lid is vented allowing the bellows to react to chamber vacuum independently without disruption of the seal.



Fluid Volumes

A total piston stroke of 1.10" is distributed at a 2:1 volume ratio between the primary and secondary chambers. A choice of either .88", 1.00" or 1.13" bore sizes provides the necessary options to match the volume and pressure requirements of nearly any application. Generally the 1.00" bore is used for manual brakes and 1.13" for power brakes.

Bolt-on Installation

The mounting flange is slotted to accommodate installation on bolt centers between 3.22" and 3.40". That makes it a simple bolt-on to many OE mounts including the popular Chrysler, Corvette, GM, and Ford Mustang master cylinder bolt patterns. The body also features two through-hole mounts on 6.40" centers for side mounting to frame members or other secure elements of the chassis.

Plumbing Versatility

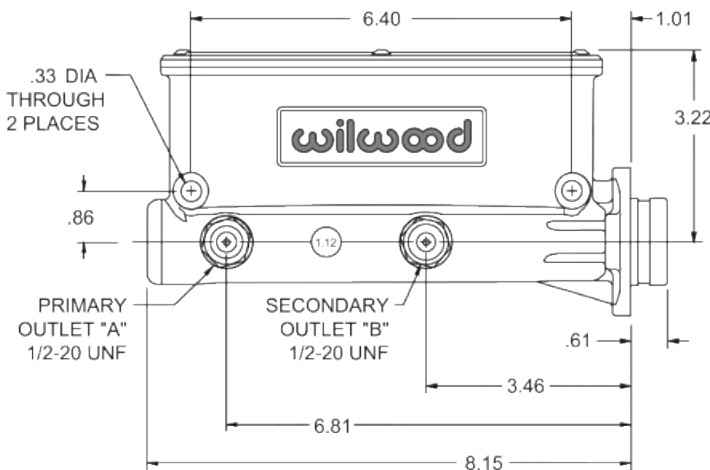
Each master cylinder is configured with full separation between the front and rear reservoir chambers and fluid outlets. There is pressure access on both sides of the piston bore for right or left hand plumbing based on mount location. Included with the master cylinder are fittings for various installation configurations. They include one (1) tube adapter, 1/2-20 x 9/16-18 IF, P/N 220-8575, one (1) tube adapter, 1/2-20 x 1/2-20 IF, P/N 220-8574 and two (2) tube adapters, 1/2-20 x 3/8-24 IF. (IF - Inverted Flare)

Dimensions

Dimensions are provided to verify clearance for your particular application. Fabrication or modification of the pedal pushrod may be required to adapt this master cylinder to some applications.

Part Numbers

Finish	.88" Bore (manual)	1.00" Bore (manual)	1.13" Bore (power)	Price
Standard	260-9439	260-8555	260-8556	\$200 ⁰⁰
Bright	260-9439-P	260-8555-P	260-8556-P	240 ⁰⁰



All prices subject to change. Current pricing available at www.cachassisworks.com.



Chris Alston's Chassisworks, Inc.
8661 Younger Creek Drive
Sacramento, CA 95828

Order: 800-722-2269
Tech: 916-388-0288
Fax: 916-388-0295

sales@cachassisworks.com
www.cachassisworks.com