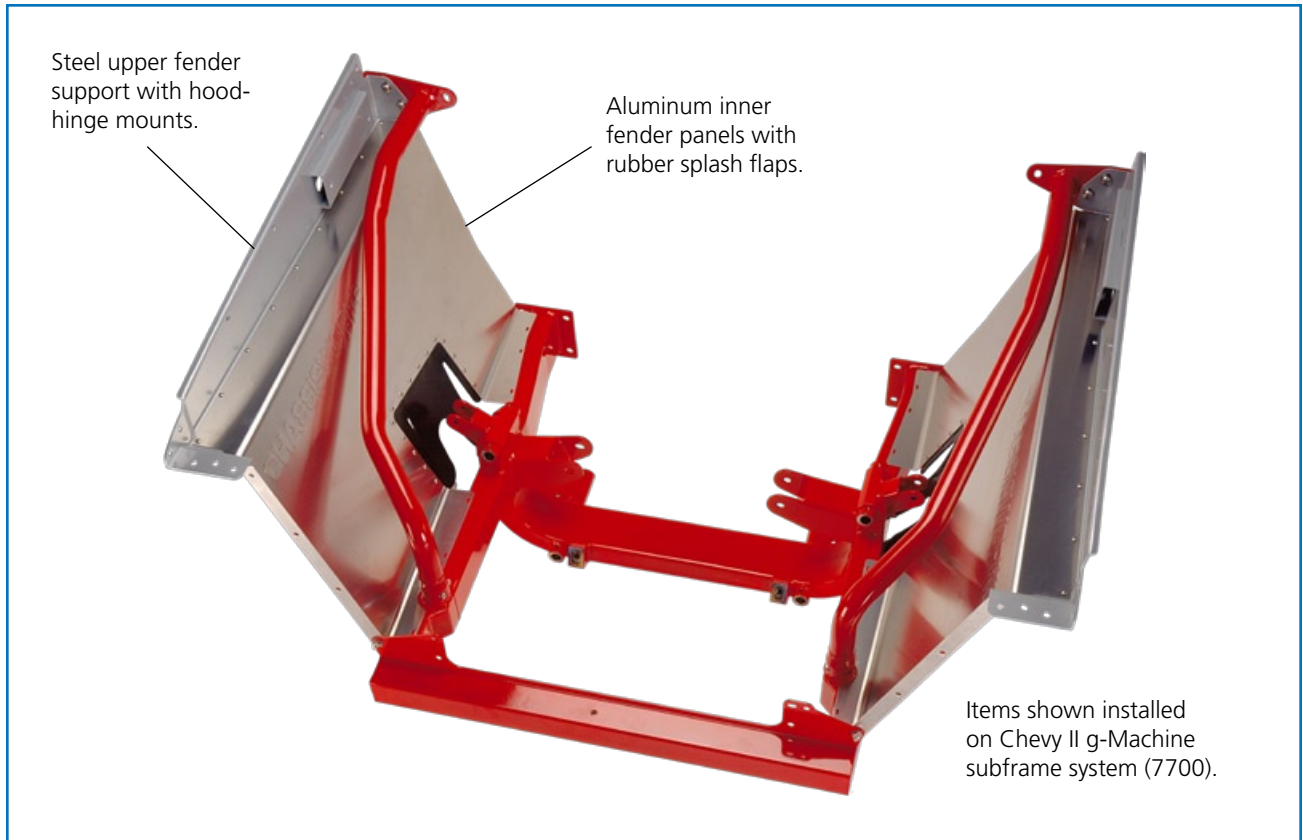


Chevy II g-Machine Inner Fender Panel and Fender Support with Hood-Hinge Mounts



Chevy II g-Machine Inner Fender Components

Aluminum Inner Fender Panels

To provide a clean, finished appearance and prevent debris from entering the engine compartment, high-quality, aluminum, inner fender panels with durable rubber splash flaps and stainless-steel hardware are available. Panels bolt directly to the g-Machine welded subframe, upper fender support, and factory core-support panel. The panel edge closest to the firewall is specially designed for a close fit and is specific to 1962-65 (P/N 6651) and 1966-67 (P/N 6653) models. Panels are available with or without embossed Chassisworks logo and ship with a protective PVC-film coating that easily peels off just prior to final installation. Rubber splash flaps use included stainless hardware to fasten to the inner fender, establishing an easily replaceable seal that fits neatly around the suspension components.

Fender Supports with Hood-Hinge Mounts

Our exclusive steel fender supports feature built-in, weld-nut-equipped, hood-hinge mounts for ease of installation, and they have a specially curved top flange that enables bolt-on installation of factory hood hinges and fenders without distorting the fender, which is unavoidable with flat-flange designs. Chassisworks is the only company to offer fender supports at this level of quality and fit, due to the complication in designing and accurately manufacturing the component. Supports are laser-cut from steel to nearly twice the OEM thickness, receive multiple bends on our fully automated fabrication press, and are spray-arc welded, ground, and powder-coated silver, completing the engine compartment's finished appearance.



6650



6652



6651/6653



6654/6655

Part Number	Description	Year	Price
6650	Upper Fender Supports with Hinge Mounts, '62-65 Chevy II (pair)	1962-65	\$219 ⁰⁰
6651	Inner Fender Panels, "Chassisworks" Embossed, '62-65 Chevy II (pair)	1962-65	199 ⁰⁰
6654	Inner Fender Panels, Blank, '62-65 Chevy II (pair)	1962-65	250 ⁰⁰
6652	Upper Fender Supports with Hinge Mounts, '66-67 Chevy II (pair)	1966-67	219 ⁰⁰
6653	Inner Fender Panels, "Chassisworks" Embossed, '66-67 Chevy II (pair)	1966-67	199 ⁰⁰
6655	Inner Fender Panels, Blank, '66-67 Chevy II (pair)	1966-67	250 ⁰⁰

Note:

Package pricing is available at time of initial Chevy II g-Machine system (7700) purchase.

All prices subject to change. Current pricing available at www.cachassisworks.com.



Chris Alston's Chassisworks, Inc.
8661 Younger Creek Drive
Sacramento, CA 95828

Order: 800-722-2269
Tech: 916-388-0288
Fax: 916-388-0295

sales@cachassisworks.com
www.cachassisworks.com