

READ ALL INSTRUCTIONS COMPLETELY AND THOROUGHLY UNDERSTAND THEM BEFORE DOING ANYTHING.
CALL CHASSISWORKS TECH SUPPORT (916) 388-0288 IF YOU NEED ASSISTANCE.

INSTALLATION GUIDE



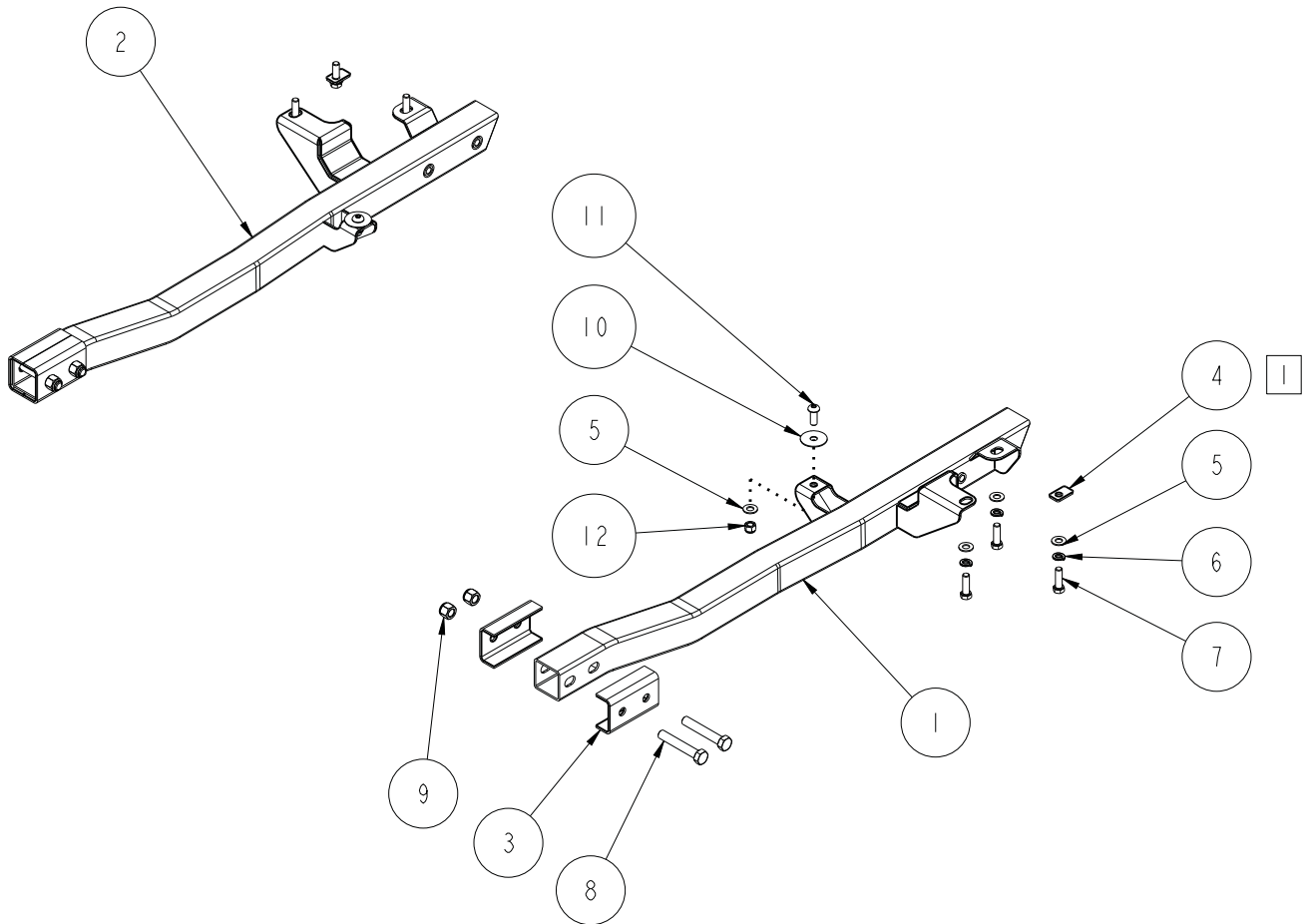
5903-F21 g-Connector Bolt-in 1970-73 Camaro/Firebird with OEM Rear Frame



Description: g-Connector bolt-in for cars with OEM rear frame and Chassisworks or OEM front subframe. OEM subframe requires weld-on adapters.

Applications: Camaro '70-73 and Firebird '70-73

ITEM	QTY	PART NO.	DESCRIPTION
1	1	7962-0098	SUBFRAME CONNECTOR, BOLT-ON, DRIVER, 70-73 CAMARO/FIREBIRD
2	1	7962-0099	SUBFRAME CONNECTOR, BOLT-ON, PSGR, 70-73 CAMARO/FIREBIRD
3	4	230140	CLAMPING BRKT, SBFRM CNCTR, 67-69 CMRO/FBIRD, 68-72 NOVA, S/M CLIP
4	2	2055	SPACER WASHER, SBFRM CNCTR 67-69 CMRO/FBIRD, 69-72 NOVA
5	8	3157-038S-C	WASHER, 3/8 SAE, ZINC PLATED, 13/32 ID x 13/16 OD x 1/16 THICK,
6	6	3108-038L-C	LOCK WASHER, HELICAL SPRING \varnothing 3/8, STEEL, ZINC
7	6	3100-038CI.25Y	HEX BOLT, 3/8-16 x 1 1/4, GRADE 8, YELLOW ZINC
8	4	3100-050F3.00Y	HEX BOLT, 1/2-20 x 3, GRADE 8, YELLOW ZINC
9	4	3101-050-20C	LOCKNUT, 1/2-20, GRADE 5, NYLON INSERT, CLEAR ZINC
10	2	3157-038F-C	FENDER WASHER, 3/8 x 1 1/2, ZINC PLATED
11	2	3104-038FI.00C	BUTTON HEAD CAP SCREW, 3/8-24 x 1, CLEAR ZINC
12	2	3101-038-24C	LOCKNUT, 3/8-24, GRADE 5, NYLON INSERT, CLEAR ZINC



NOTES:
 1. OUTBOARD SPRING MOUNT
 SHIM AND HARDWARE

DESCRIPTION **SUBFRAME CONNECTORS, BOLT-ON,
 70-73 CAMARO/FIREBIRD**

Chris Aston's **CHASSISWORKS INC.**
 8661 YOUNGER CREEK DRIVE
 SACRAMENTO, CA 95828
 (916) 388-0288 FAX 388-0295

PART NO.

5903-F21

2/23/15

DWG: 7951-5903F21

PARTS LIST

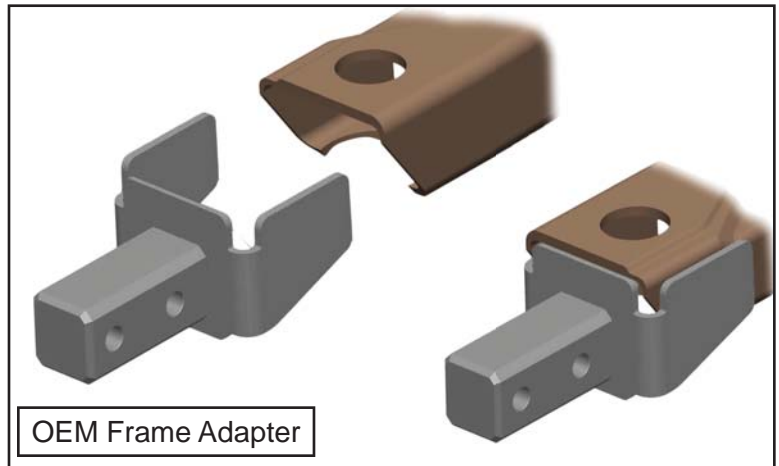
5903-F21 - g-Connector Bolt-in 70-73 Camaro/Firebird

Qty	Part Number	Description
1	7962-0098	Frame connector bolt-in driver side F21
1	7962-0099	Frame connector bolt-in passenger side F21
1	7952-5903F21	Hardware Bag

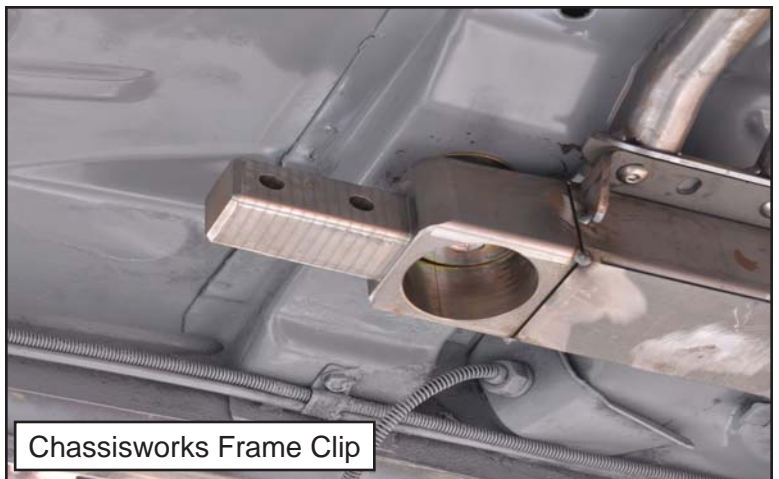
7952-5903F21 - Hardware Bag

4	230140	Clamping bracket subframe connector
6	3100-038C1.25Y	Bolt 3/8-16 x 1-1/4" hex head cap screw
4	3100-050F3.00Y	Bolt 1/2-20 x 3" hex head cap screw
2	3101-038-24C	Locknut 3/8-24 nylon insert
4	3101-050-20C	Locknut 1/2-20 nylon insert
2	3104-038F1.00C	Button head 3/8-24 x 1" cap screw
6	3108-038L-C	Lock washer 3/8" regular
2	3157-038F-C	Fender washer 3/8 x1-1/2"
8	3157-038S-C	Flat washer 3/8" SAE
2	7959-0098	Outboard shim spring mount F20

INSTRUCTIONS



The new Chassiswork front frame clip or OEM frame clip with the adapters must be installed before proceeding.



1. Raise and safely support the vehicle at the rocker panels.
2. Remove the rear leaf spring and spring pocket on the driver side.



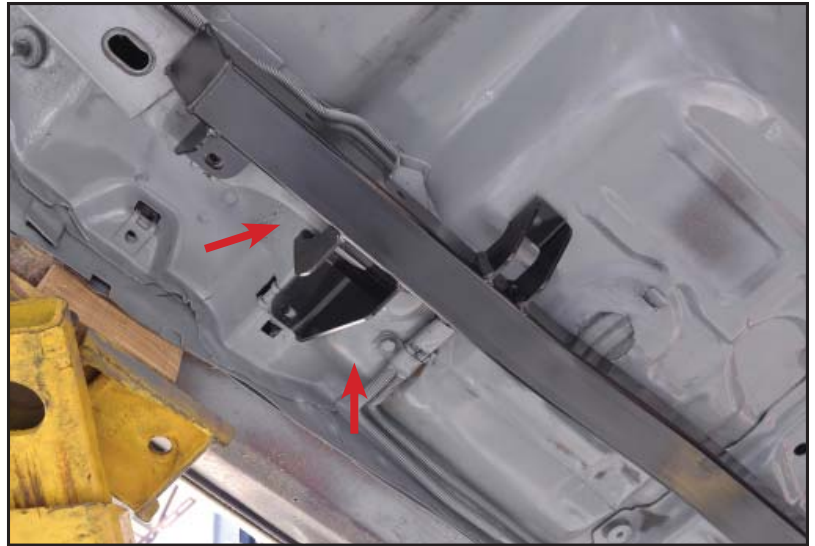
3. Slide the driver side subframe connector over the front-clip frame rail. The slotted holes allow for slight length differences from car to car.



4. Slide the two clamping brackets over the subframe connector. These are used to support the attachment between the subframe boss and the subframe connector.
5. Install the 1/2-20 x 3" hex bolts and locknuts. Do not fully tighten them at this time.



6. Raise the rear of the connector until it seats tight against the floor.
7. Line up the outside two holes of the frame connector bracket with the holes for the leaf spring pocket.



8. Put the leaf spring pocket in place and attach with 3/8-16-1-1/4" hex bolts, lockwashers and flat washers through the two holes as shown.
9. Insert the shim (7959-0098) between the floor and connector bracket. Secure with a third 3/8" hex bolt, lockwasher and flat washer. Tighten the three bolts to the factory specifications.



10. Remove the rear seat from the car. Using the hole in the frame connector bracket as a guide, drill a 3/8" diameter hole through the floor under the rear seat.



11. Slide a 3/8" fender washer over the button head bolt and insert the bolt through the hole from inside the car.



12. Place a 3/8" flat washer over the bolt followed by the locknut and tighten to 30 lb-ft.



13. Tighten the bolts at the front of the connector and torque to 45 lb-ft.



14. The driver side is complete, reattach the leaf spring or g-Link arm to the housing before proceeding with the passenger side of the car.
15. The install should look like this.



WARRANTY NOTICE:

There are NO WARRANTIES, either expressed or implied. Neither the seller nor manufacturer will be liable for any loss, damage or injury, direct or indirect, arising from the use or inability to determine the appropriate use of any products. Before any attempt at installation, all drawings and/or instruction sheets should be completely reviewed to determine the suitability of the product for its intended use. In this connection, the user assumes all responsibility and risk. We reserve the right to change specification without notice. Further, Chris Alston's Chassisworks, Inc., makes **NO GUARANTEE** in reference to any specific class legality of any component. **ALL PRODUCTS ARE INTENDED FOR RACING AND OFF-ROAD USE AND MAY NOT BE LEGALLY USED ON THE HIGHWAY.** The products offered for sale are true race-car components and, in all cases, require some fabrication skill. **NO PRODUCT OR SERVICE IS DESIGNED OR INTENDED TO PREVENT INJURY OR DEATH.**

Chris Alston's Chassisworks
8661 Younger Creek Drive
Sacramento, CA 95828
Phone: 916-388-0288
Technical Support: sales@cachassisworks.com

