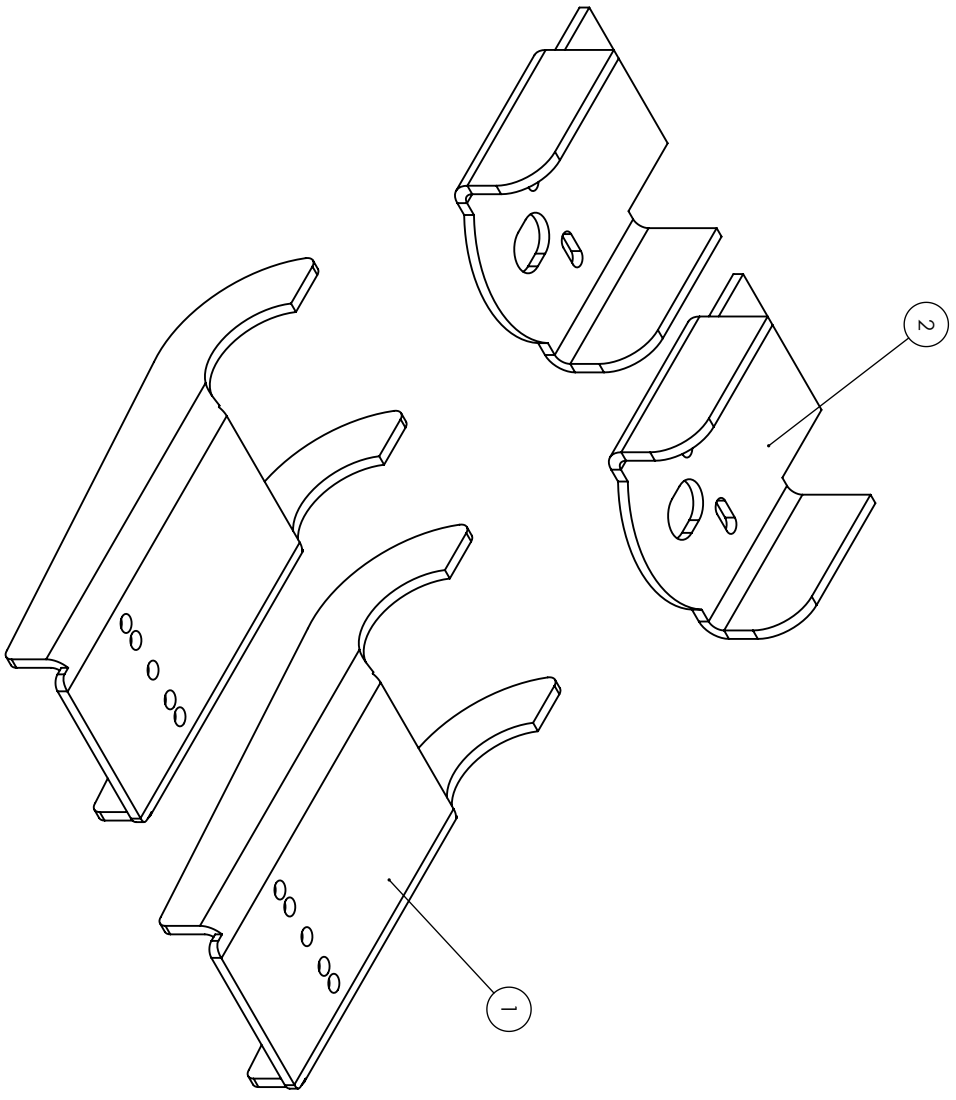


ITEM NO.	PART NUMBER	DESCRIPTION	QTY.
1	7928-010	BAG PLATE FORMED # 10	2
2	7829-011	BAG PLATE FORMED # 11	2

WAS - UTB-1



DESCRIPTION
**UNDER BED BEHIND OR FRONT OF
 AXLE WELD ON BAG MOUNTS**

KP Components
 8661 Younger Creek Drive
 Sacramento, CA 95828
 KPrech@cachassisworks.com

PART NO
KPC CBRW-UTB

SHEET 1 OF 1

WARRANTY NOTICE:

There are NO WARRANTIES, either expressed or implied. Neither the seller nor manufacturer will be liable for any loss, damage or injury, direct or indirect, arising from the use or inability to determine the appropriate use of any products. Before any attempt at installation, all drawings and/or instruction sheets should be completely reviewed to determine the suitability of the product for its intended use. In this connection, the user assumes all responsibility and risk. We reserve the right to change specification without notice. Further, Chris Alston's Chassisworks, Inc., makes **NO GUARANTEE** in reference to any specific class legality of any component. **ALL PRODUCTS ARE INTENDED FOR RACING AND OFF-ROAD USE AND MAY NOT BE LEGALLY USED ON THE HIGHWAY.** The products offered for sale are true race-car components and, in all cases, require some fabrication skill. **NO PRODUCT OR SERVICE IS DESIGNED OR INTENDED TO PREVENT INJURY OR DEATH.**

KP Components
A Chris Alston's Chassisworks Inc., Brand
8661 Younger Creek Drive
Sacramento, CA 95828
Technical Support: KPtech@cachassisworks.com

