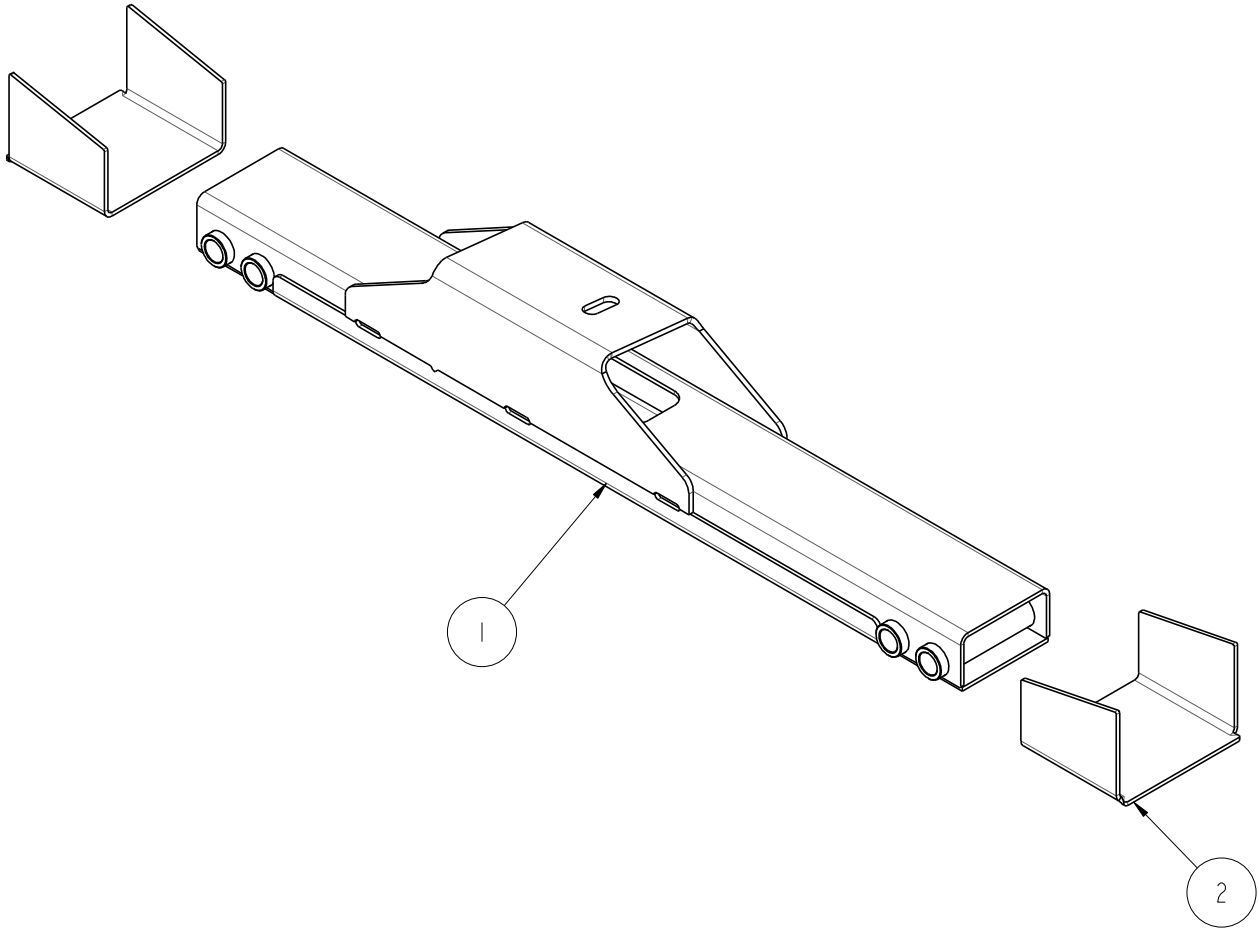


ITEM	QTY	PART NO.	DESCRIPTION
1	1	7933-004	TRANSMISSION CROSSMEMBER WELDMENT, 99-06 GM
2	2	7933-005	REINFORCING BRACKET, TRANSMISSION CROSSMEMBER, 99-06 GM



DESCRIPTION		<b>TRANSMISSION CROSSMEMBER, BOLT ON, 99-06 1500 CHEVY/GMC PICKUP</b>	
KP Components 8661 Younger Creek Drive Sacramento, CA 95828 KPtech@cachassisworks.com		PART NO. <b>KPC TCB-C71</b>	
		4/8/08	DWG: 7927-TCBC71

**WARRANTY NOTICE:**

There are NO WARRANTIES, either expressed or implied. Neither the seller nor manufacturer will be liable for any loss, damage or injury, direct or indirect, arising from the use or inability to determine the appropriate use of any products. Before any attempt at installation, all drawings and/or instruction sheets should be completely reviewed to determine the suitability of the product for its intended use. In this connection, the user assumes all responsibility and risk. We reserve the right to change specification without notice. Further, Chris Alston's Chassisworks, Inc., makes **NO GUARANTEE** in reference to any specific class legality of any component. **ALL PRODUCTS ARE INTENDED FOR RACING AND OFF-ROAD USE AND MAY NOT BE LEGALLY USED ON THE HIGHWAY.** The products offered for sale are true race-car components and, in all cases, require some fabrication skill. **NO PRODUCT OR SERVICE IS DESIGNED OR INTENDED TO PREVENT INJURY OR DEATH.**

KP Components  
A Chris Alston's Chassisworks Inc., Brand  
8661 Younger Creek Drive  
Sacramento, CA 95828  
Technical Support: [KPtech@cachassisworks.com](mailto:KPtech@cachassisworks.com)

