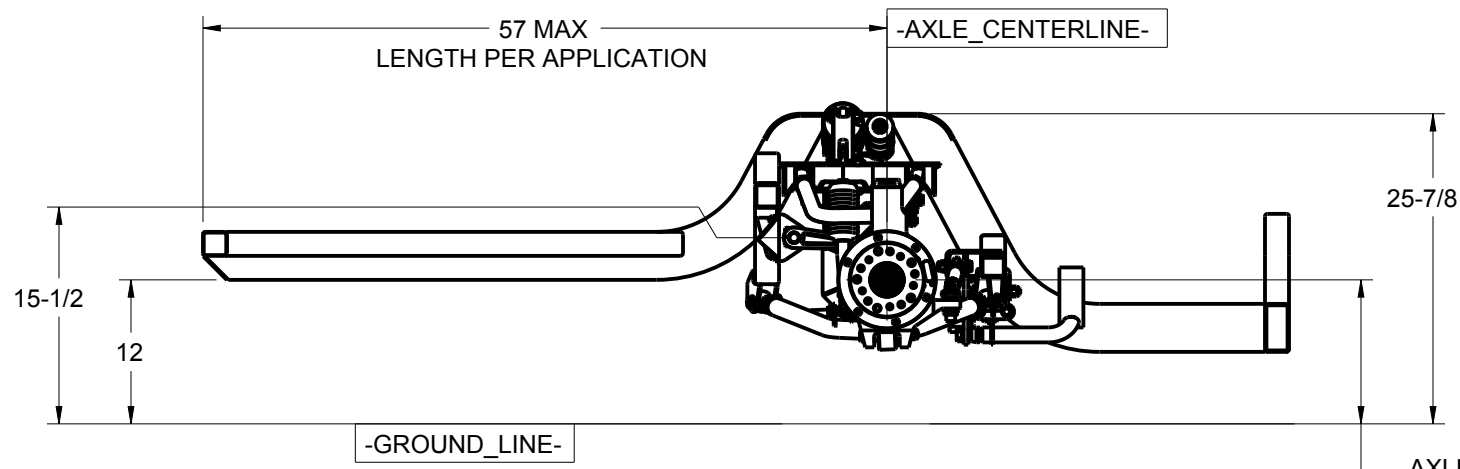
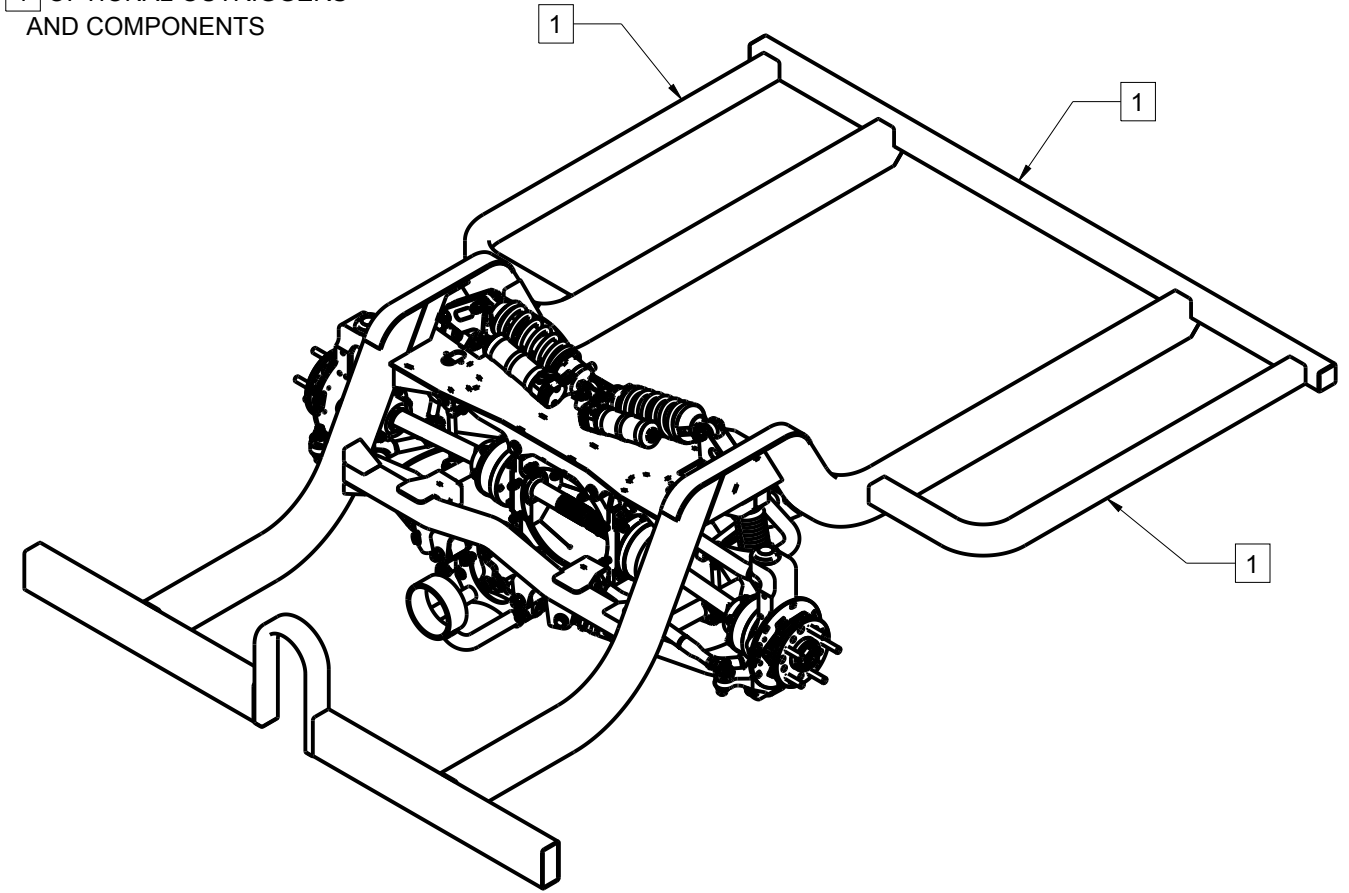
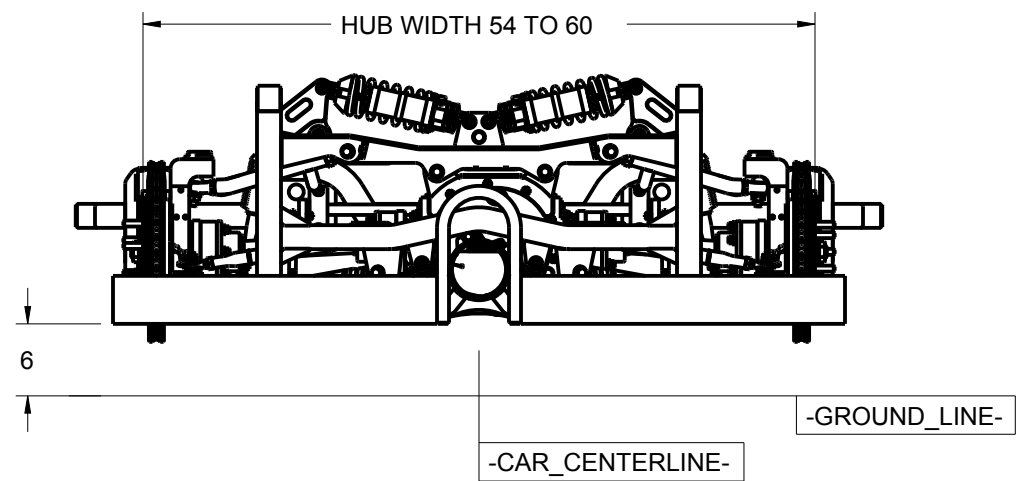


NOTES:
1 OPTIONAL OUTRIGGERS
AND COMPONENTS

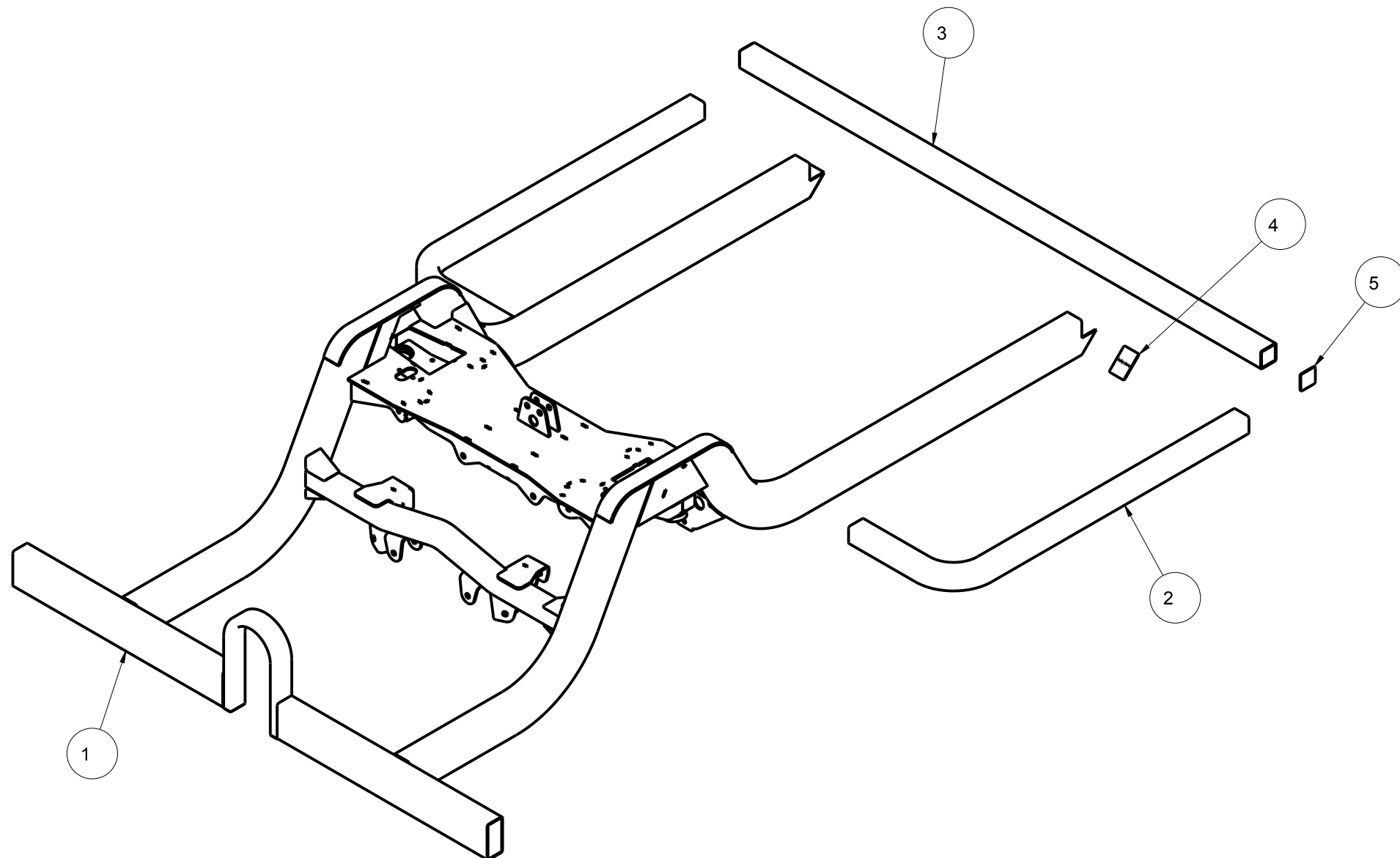


AXLE HEIGHT ABOVE
GROUND = 12 WITH
A 25" DIAMETER TIRE



DESCRIPTION	4 x 2 REAR FRAME, IRS, ROCKER	
Chris Alston's CHASSISWORKS INC. 8661 YOUNGER CREEK DRIVE SACRAMENTO, CA 95828 (916) 388-0288 FAX 388-0295	PART NO.	7723-U01
	6/25/18	DWG: 7951-7723U01

ITEM	QTY	PART NO.	DESCRIPTION
1	1	7972-2577-37	4 x 2 REAR CLIP, 37" WIDE, ROCKER SHOCK, PERIMETER FRAME
2	2	4564	OUTRIGGER, REAR FRAME RAILS, PERIMETER CHASSIS
3	1	B3216.120-67.00	TUBE, 2 x 2 x .120 WALL ERW x 67.00 LONG
4	2	7972-5014	TUBE CAP, REAR CLIP, 2 x 4 PERIMETER FRAME
5	2	7972-5015	TUBE CAP, 2 x 2, 12 GA



DESCRIPTION	4 x 2 REAR FRAME, IRS, ROCKER	
<i>Chris Alston's</i> CHASSISWORKS INC. 8661 YOUNGER CREEK DRIVE SACRAMENTO, CA 95828 (916) 388-0288 FAX 388-0295	PART NO.	7723-U01
	6/25/18	DWG: 7951-7723U01