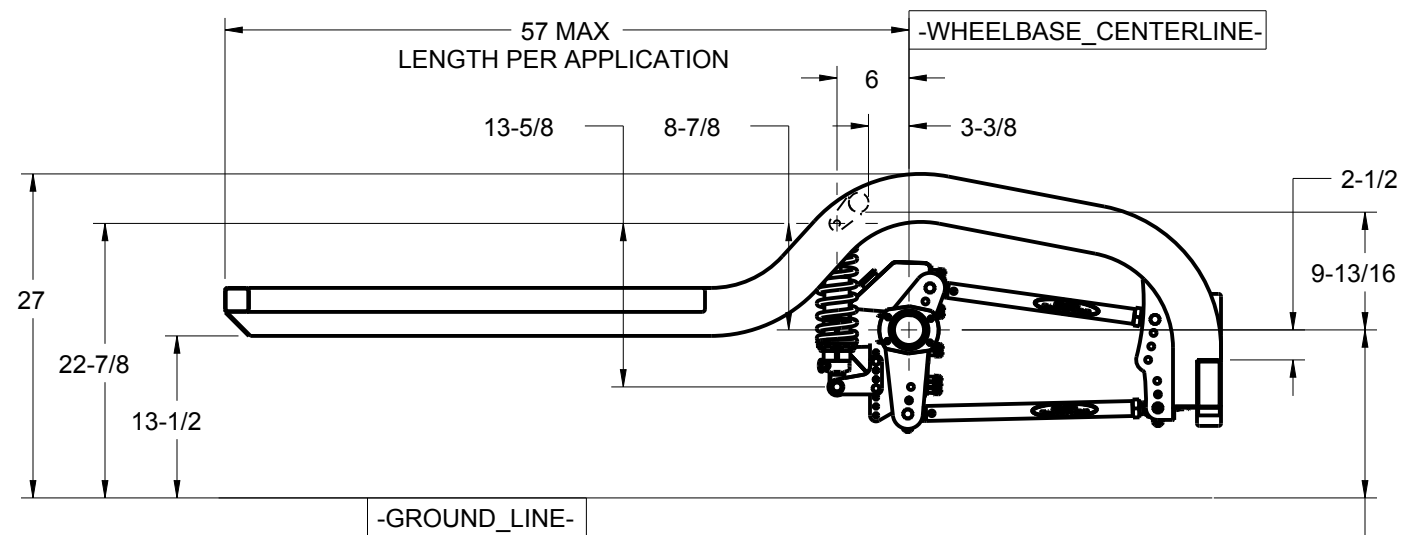
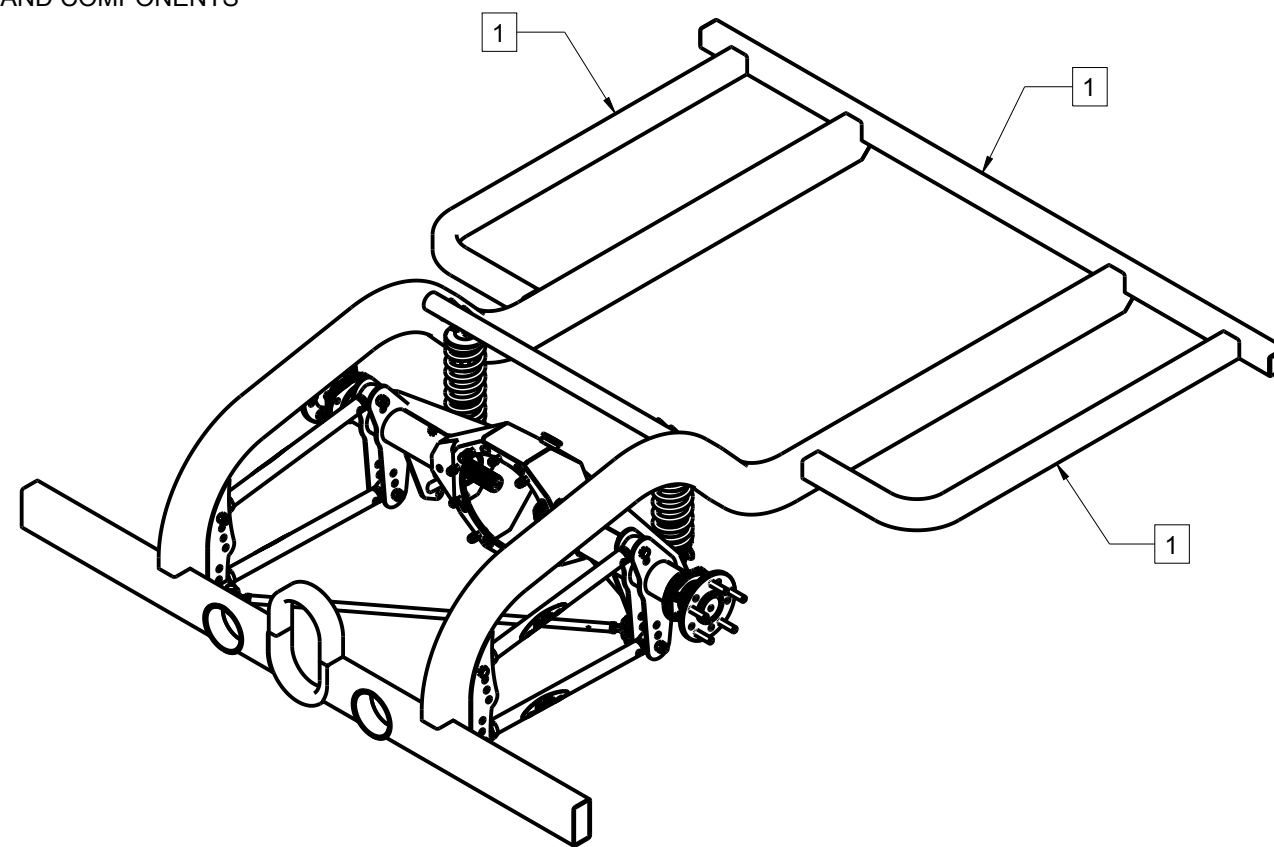
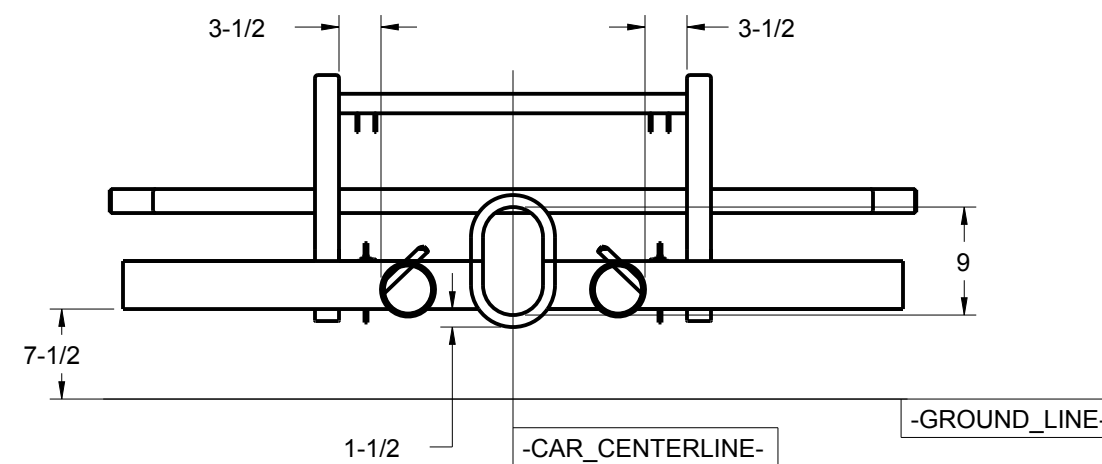


NOTES:
 1 OPTIONAL OUTRIGGERS
 AND COMPONENTS

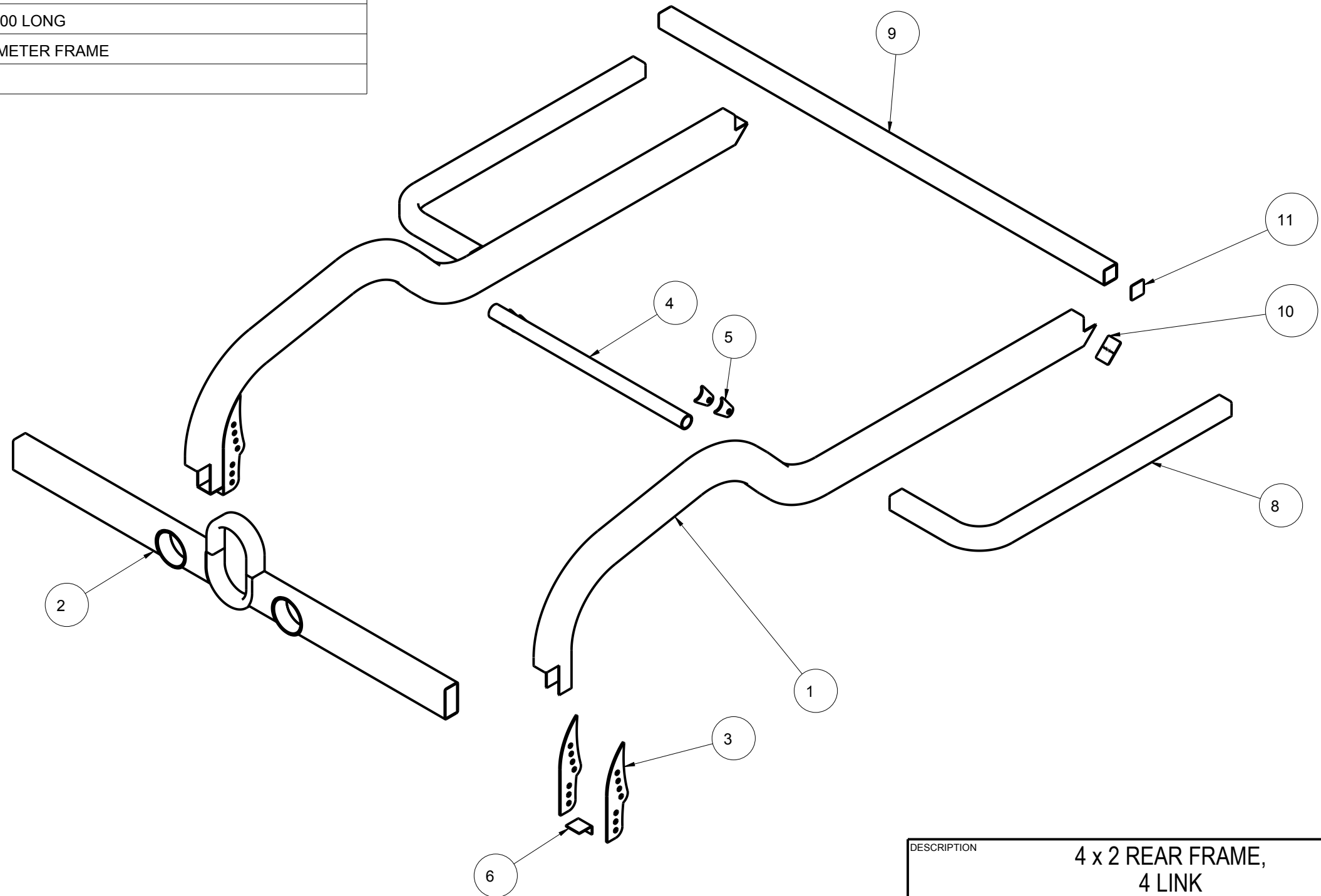


AXLE HEIGHT ABOVE
 GROUND = 14 WITH
 A 29" DIAMETER TIRE



DESCRIPTION	4 x 2 REAR FRAME, 4 LINK	
<i>Chris Alston's</i> CHASSISWORKS INC. 8661 YOUNGER CREEK DRIVE SACRAMENTO, CA 95828 (916) 388-0288 FAX 388-0295	PART NO.	7726-U01
	7/13/18	DWG: 7951-7726U01

ITEM	QTY	PART NO.	DESCRIPTION
1	2	4552	4 x 2 REAR RAIL 4-LINK
2	1	5408	9 OVAL, EXHST PORTS, 4 x 2 XMEMBER, 65 LONG, 1 1/2 DROP ASSEMBLY
3	4	2158	PRO STREET 4 LINK, 2 x 4 FRAME MOUNT, 1/2 HOLES
4	1	0001-030-000	STEEL TUBE \varnothing 1 5/8 x 30
5	4	2101	SUSPENSION TAB 1/2 INCH HOLE
6	2	2355	LOWER CAP 4 LINK 2x4 FRAME
7	1	E26.134-036.000	STEEL TUBE \varnothing 1 5/8 x 36
8	2	4564	OUTRIGGER, REAR FRAME RAILS, PERIMETER CHASSIS
9	1	B3216.120-67.00	TUBE, 2 x 2 x .120 WALL ERW x 67.00 LONG
10	2	7972-5014	TUBE CAP, REAR CLIP, 2 x 4 PERIMETER FRAME
11	2	7972-5015	TUBE CAP, 2 x 2, 12 GA



DESCRIPTION		4 x 2 REAR FRAME, 4 LINK	
Chris Alston's CHASSISWORKS INC. 8661 YOUNGER CREEK DRIVE SACRAMENTO, CA 95828 (916) 388-0288 FAX 388-0295		PART NO.	7726-U01
		7/13/18	DWG: 7951-7726U01