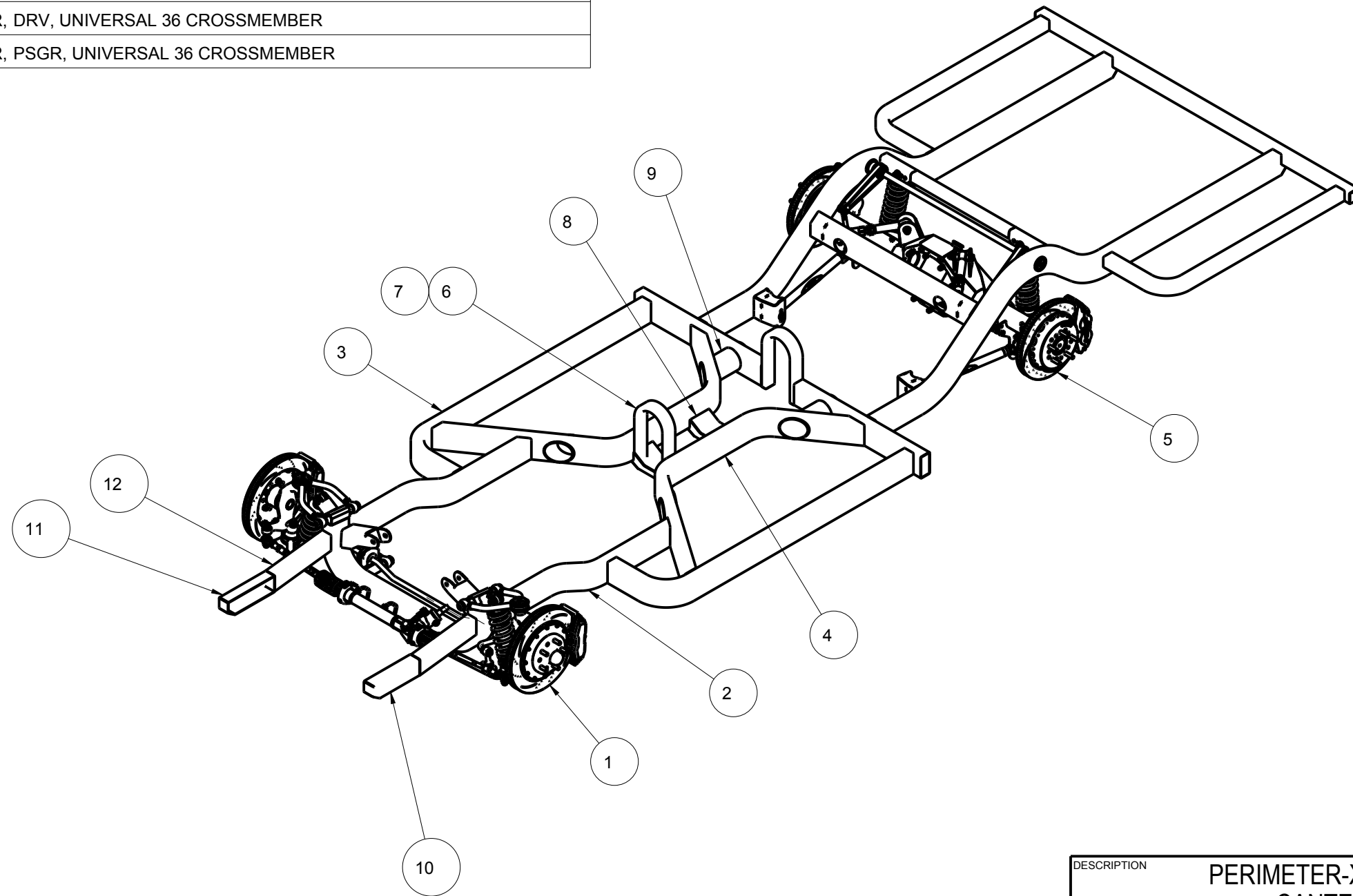


| | | |
|---|---|----------|
| DESCRIPTION | PERIMETER-X 4 x 2 FRAME, CANTED 4 LINK | |
| Chris Alston's CHASSISWORKS INC. 8661 YOUNGER CREEK DRIVE SACRAMENTO, CA 95828 (916) 388-0288 FAX 388-0295 | PART NO. | 7760-U01 |
| 6/4/18 | DWG: 7951-7760U01 | |

| | | | |
|----|---|-----------------|---|
| 1 | 1 | 5762 | FRONT SUSPENSION, STREET MACHINE |
| 2 | 2 | 4563 | 4 x 2 A-ARM SHORT RAIL 6" GROUND CLEARANCE |
| 3 | 2 | 4558 | ROCKER SUPPORT TUBE, 2 x 4 A-ARM FRAME |
| 4 | 2 | 4561-112 | V-TUBE, 112 WHEELBASE, X-BRACE, PERIMETER CHASSIS |
| 5 | 1 | 7720-U01-38 | 4 x 2 REAR FRAME, CANTED 4-LINK, 38 OUTSIDE WIDTH |
| 6 | 1 | 4516 | BEND 180° 2 x 1 |
| 7 | 2 | 7972-5001 | TUBE CAP, 1 x 2 x 12 GA (.100) |
| 8 | 2 | 7972-5011 | ASSY, CENTER GUSSET, PERIMETER FRAME |
| 9 | 4 | D60.125-24.000 | TUBE, EXHAUST PORT, Ø 3 3/4 x .125 WALL DOM, 24.00 LONG |
| 10 | 1 | 7972-5012 | BUMPER MOUNT, DRIVER, PERIMETER FRAME |
| 11 | 1 | 7972-5013 | BUMPER MOUNT, PASSENGER, PERIMETER FRAME |
| 12 | 2 | B3224.120-30.00 | TUBE, 3 x 2 x .120 WALL ERW x 30.00 LONG |
| 13 | 1 | 7972-2608 | ENGINE FRAME ADAPTER, DRV, UNIVERSAL 36 CROSSMEMBER |
| 14 | 1 | 7972-2609 | ENGINE FRAME ADAPTER, PSGR, UNIVERSAL 36 CROSSMEMBER |



| | | |
|---|---|-------------------|
| DESCRIPTION | PERIMETER-X 4 x 2 FRAME, CANTED 4 LINK | |
| Chris Alston's CHASSISWORKS INC. 8661 YOUNGER CREEK DRIVE SACRAMENTO, CA 95828 (916) 388-0288 FAX 388-0295 | PART NO. | 7760-U01 |
| | 6/4/18 | DWG: 7951-7760U01 |