

READ ALL INSTRUCTIONS COMPLETELY AND THOROUGHLY UNDERSTAND THEM BEFORE DOING ANYTHING.
CALL CHASSISWORKS TECH SUPPORT (916) 388-0288 IF YOU NEED ASSISTANCE.

INSTALLATION GUIDE



5921-F10-343 Fuel Tank for gStreet Chassis '67-81 Camaro

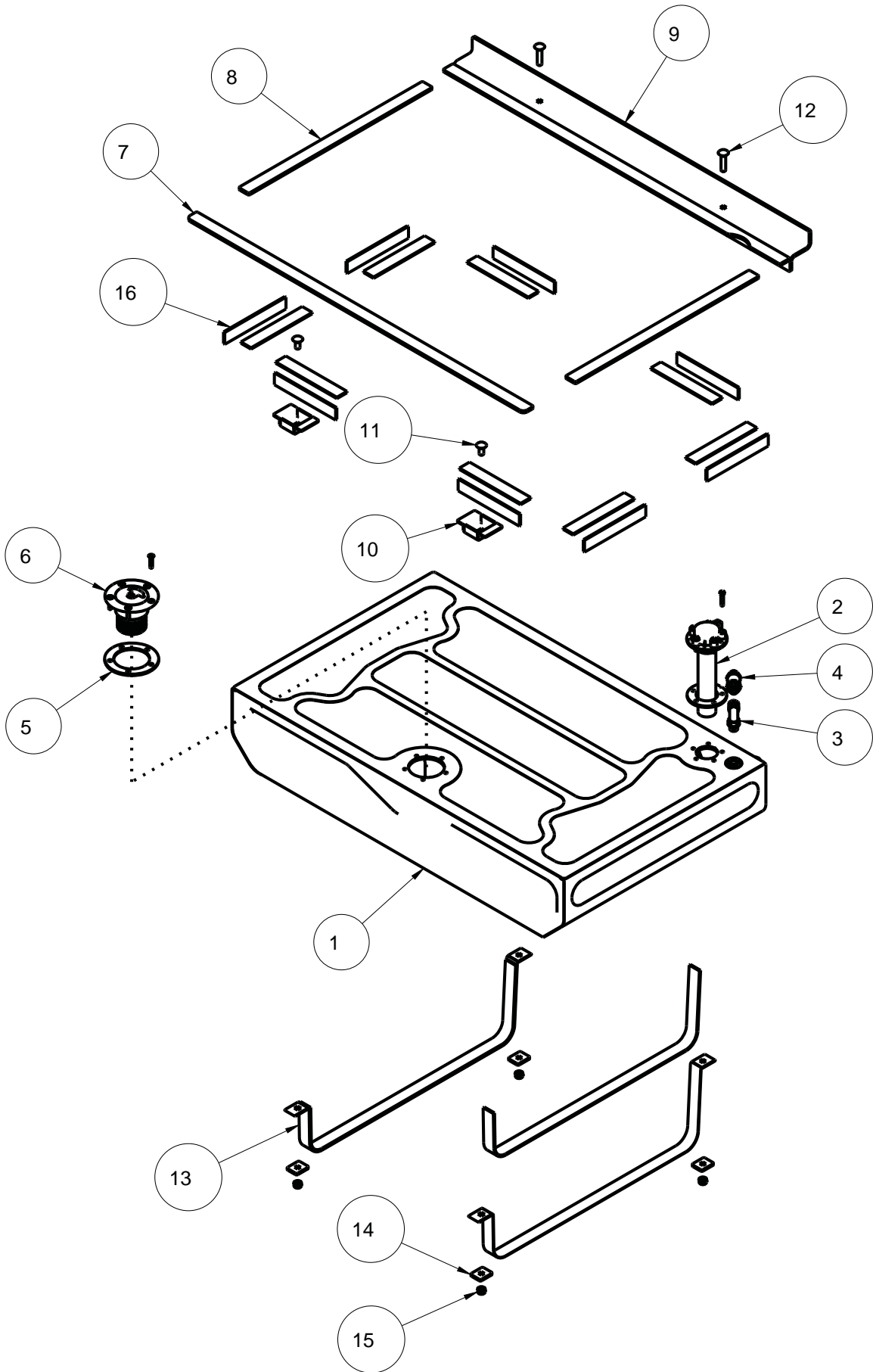


Description: Fuel tank for first and second generation Camaro gStreet chassis; 17-gallon capacity.

Requires: Chassis mounts, fill kit and vent.

- SPECIAL ORDER PART NOT RETURNABLE FOR ANY REASON -

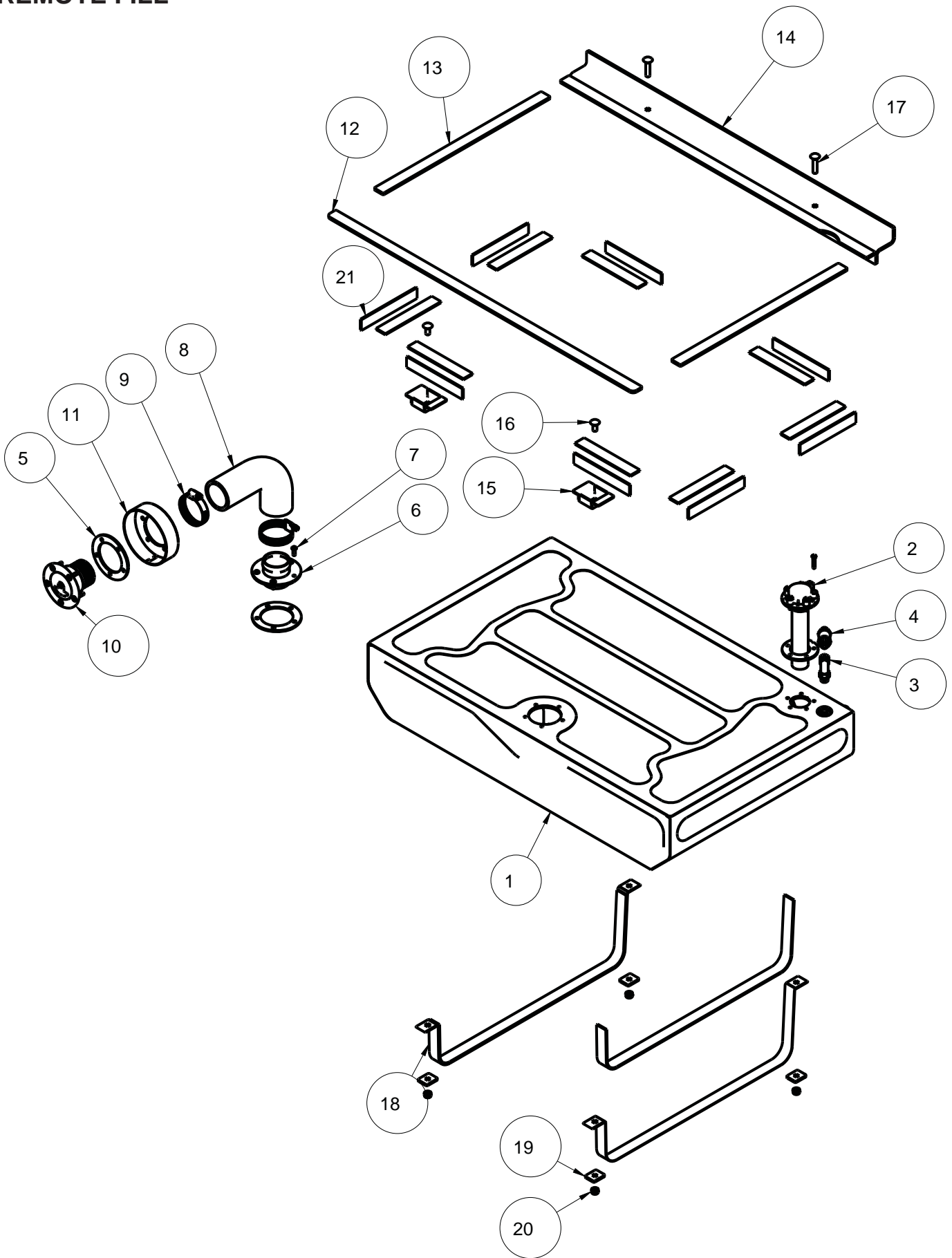
DIRECT FILL



ITEM	QTY	PART NO.	DESCRIPTION
1	1	7972-2541	FUEL TANK, FLUSH FILLER, AN/JIC-10 x -8, gSTREET REAR CLIP
2	1	3241-SN35T06	SENDING UNIT, FUEL TANK, FLOATLESS, 5-BOLT SAE MOUNT (not included)
3	1	3220-990-0606	90° ELBOW, -6 37° JIC x -6 SAE O-RING SWIVEL (optional item)
4	1	3223-CVP-06	CHECK VALVE, AN/JIC-6 (optional item)
5	1	7972-2543	GASKET, FUEL FILLER, 3 3/4 OD x 2 1/2 ID, 5X 1/4 ON 3.032 BC
6	1	3232-FN-AIR	FILLER CAP, 5 BOLT FLANGE, 3 3/4 OD, NON-VENTED, 2" INTERGAL NECK
7	1	7972-2520	SUPPORT, FUEL TANK, REAR, 33 LONG, gSTREET CHASSIS
8	2	7972-2521	SUPPORT, FUEL TANK, SIDE, 18 LONG, gSTREET CHASSIS
9	1	7972-2524	WELDMENT, FUEL TANK SUPPORT, FRONT, 33 LONG, NOTCHED, gSTREET CHASSIS
10	2	7972-2563	MOUNT, FUEL TANK STRAP, 1 3/4 x 2 3/4, .325 SQ
11	2	3167-031C0.75C	CARRIAGE BOLT, 5/16-18 x 3/4, GRADE 5, CLEAR ZINC
12	2	3167-031C1.50C	CARRIAGE BOLT, 5/16-18 x 1 1/2, GRADE 5, CLEAR ZINC
13	2	7972-2533	ASSY, STRAP, FUEL TANK, 20 LONG x 1 WIDE, NEOPRENE
14	4	7972-2534	BOLT PLATE, FUEL TANK STRAP, 1.00 x 1.20, .325 SQ
15	4	3101-031-18C	LOCKNUT 5/16-18, GRADE 5, NYLON INSERT, CLEAR ZINC
16	16	0208-06.00	NEOPRENE STRIP, ADHESIVE BACKED, 1/8 THICK x 1 WIDE x 6.00 LONG

DESCRIPTION		FUEL TANK ASSEMBLY, FLUSH FILLER, AN/JIC-10 x -8, gSTREET REAR CLIP	
Chris Alston's CHASSISWORKS INC. 8661 YOUNGER CREEK DRIVE SACRAMENTO, CA 95828 (916) 388-0288 FAX 388-0295		PART NO. 5921-F10-343	
		3/23/18	DWG: 7951-5921F10343

REMOTE FILL



ITEM	QTY	PART NO.	DESCRIPTION
1	1	7972-2541	FUEL TANK, FLUSH FILLER, AN/JIC-10 x -8, gSTREET REAR CLIP
2	1	3241-SN35T06	SENDING UNIT, FUEL TANK, FLOATLESS, 5-BOLT SAE MOUNT (not included)
3	1	3220-990-0606	90° ELBOW, -6 37° JIC x -6 SAE O-RING SWIVEL (optional item)
4	1	3223-CVP-06	CHECK VALVE, AN/JIC-6 (optional item)
5	2	7972-2543	GASKET, FUEL FILLER, 3 3/4 OD x 2 1/2 ID, 5X 1/4 ON 3.032 BC
6	1	7972-2592	ASSY, FUEL FILLER, 2 OD x 2" LONG, 5 x \varnothing .190 ON 3.032 BC
7	5	3104-M05C-16S	BUTTON HEAD CAP SCREW, M5-.8 x 16MM, GRADE A2, STAINLESS
8	1	3232-NE-90	ELBOW, FUEL HOSE, 90 DEGREES, 2 ID x 7/32 WALL, 6 LEGS
9	2	3239-1.56-2.50	HOSE CLAMP, SAE #32, 1 9/16 TO 2 1/2 x 9/16 WIDE
10	1	3232-FN-AIR	FILLER CAP, 5 BOLT FLANGE, 3 3/4 OD, NON-VENTED, 2" INTERGAL NECK
11	1	7972-2519	ASSY, FUEL FILLER, SS PLATE, 4 1/2 ID x 1 5/16 TALL
12	1	7972-2520	SUPPORT, FUEL TANK, REAR, 33 LONG, gSTREET CHASSIS
13	2	7972-2521	SUPPORT, FUEL TANK, SIDE, 18 LONG, gSTREET CHASSIS
14	1	7972-2524	WELDMENT, FUEL TANK SUPPORT, FRONT, 33 LONG, NOTCHED, gSTREET CHASSIS
15	2	7972-2563	MOUNT, FUEL TANK STRAP, 1 3/4 x 2 3/4, .325 SQ
16	2	3167-031C0.75C	CARRIAGE BOLT, 5/16-18 x 3/4, GRADE 5, CLEAR ZINC
17	2	3167-031C1.50C	CARRIAGE BOLT, 5/16-18 x 1 1/2, GRADE 5, CLEAR ZINC
18	2	7972-2533	ASSY, STRAP, FUEL TANK, 20 LONG x 1 WIDE, NEOPRENE
19	4	7972-2534	BOLT PLATE, FUEL TANK STRAP, 1.00 x 1.20, .325 SQ
20	4	3101-031-18C	LOCKNUT 5/16-18, GRADE 5, NYLON INSERT, CLEAR ZINC
21	16	0208-06.00	NEOPRENE STRIP, ADHESIVE BACKED, 1/8 THICK x 1 WIDE x 6.00 LONG

DESCRIPTION		FUEL TANK ASSEMBLY, FLUSH FILLER, AN/JIC-10 x -8, gSTREET REAR CLIP	
Chris Alston's CHASSISWORKS INC. 8661 YOUNGER CREEK DRIVE SACRAMENTO, CA 95828 (916) 388-0288 FAX 388-0295		PART NO.	5921-F10-343
		8/29/18	DWG: 7951-5921F10343

PART LISTS

Prior to installation use the following parts lists to verify that you have received all components.

5921-F10-343 - Fuel Tank (-10 Supply)

1	7972-2541	Fuel tank for F10/F20 gStreet chassis, stainless (-10 supply, -8 return)
---	-----------	--

INSTALLATION:

- Fuel tank installation requires additional components, such as the Chassisworks mounting kit and fuel cap assemblies. These components are sold and packaged as separate items.
- Uses VDO tube type fuel level sensor with a 2-1/8 (54mm) mounting bolt circle; not included. Pick a sensor that is as long as possible but no closer than 1/2" to bottom of tank. Also select a sensor with the appropriate ohm range for the gauge you are using.
- Fuel pre-filter (between tank and pump) is required to prevent damage to the fuel pump from in-tank debris.
- All hardware should screw in easily by hand. Chase threads of any threaded holes that require more effort.
Main Cap or Filler Neck = M5-0.8 thread Sending Unit = 10/32 thread
- **Use anti-sieze on all fasteners threaded into the tank.**
- **DO NOT USE POWER TOOLS**

(Front View)

Billet bulkhead with -10 supply port (bottom) and -8 return port (top).



(Rear View)

2.5" OD filler-neck hole with 5-on-3.065" bolt pattern; -6 vent port; 5-bolt sending unit mount



Interior Tank Features

Baffles with semi-circle passages at the tank floor, allow fuel to flow to the pick-up area and prevent rapid weight transfers when cornering and braking.

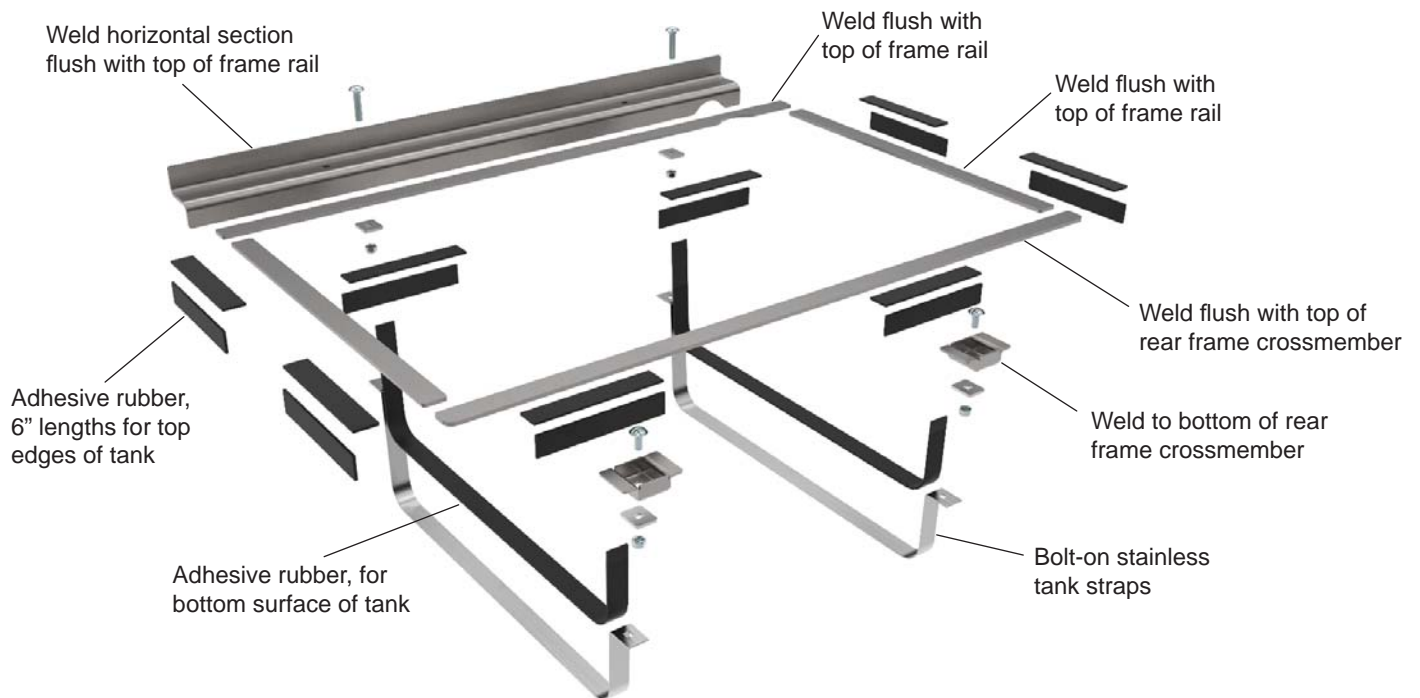


5921-F10-MT - Chassis Mounts and Tank Straps

5	0208	Rubber strip 1/8 x 1" x 36" long, adhesive back
4	3101-031-18C	Locknut 5/16-18 nylon insert, clear zinc
2	3167-0310C0.75C	Carriage bolt 5/16-18 x 3/4", clear zinc
2	3167-0310C1.50C	Carriage bolt 5/16-18 x 1-1/2", clear zinc
1	7972-2520	Rear tank support, 33" long
2	7972-2521	Side tank support, 18" long
1	7972-2524	Front tank support weldment, 33"
2	7972-2532	Fuel tank strap, 1" wide x 20" long
4	7972-2534	Bolt plate, stainless
2	7972-2563	Tank strap mount

INSTALLATION:

- The steel tank supports are welded to the frame, forming a seat for the fuel tank to be tightened against.
- Cut the rubber strips for the tank straps first; approximately 29".
- Adhesive rubber strips can be applied to the tank or the chassis after paint.



Assembled Rear View



Assembled Front View



5921-U00-FD - Direct-Fill Tank Cap

1	3232-FN-AIR	Fuel cap with filler neck for 2" hose, 3-3/4" OD, 5-on-3" bolt circle
1	7972-2543	Gasket 3-3/4" OD x 2-1/2" ID

INSTALLATION:

- The fuel tank top panel has a threaded reinforcement plate for installation of the fuel cap or hose adapter. Locknuts shown in product image are for remote-fill cap installation only.
- **Use anti-seize on mounting hardware.**



5921-U01-FR - Remote-Fill Tank Cap

1	3232-FN-AIR	Fuel cap with filler neck for 2" hose, 3-3/4" OD, 5-on-3" bolt circle
1	3232-NE-90	Fuel hose 2" ID, 90-degree elbow
2	3239-1.56-2.50	Hose clamp 2", stainless
1	7972-2519	Ring-style fuel filler plate assembly
2	7972-2543	Gasket 3-3/4" OD x 2-1/2" ID
1	7972-2592	Fuel filler hose neck, 90-degree







INSTALLATION:

- The fuel tank top panel has a threaded reinforcement plate for installation of the hose adapter. Locknuts shown in product image are for remote-fill cap installation only.
- **Use anti-seize on mounting hardware at fuel tank.**



Additional Components

	3220-990-0606	Female 90° Swivel -6 Hose x 9/16-18 Thread x Black Anodized - Use to attach Check Valve directly to tank.
	3220-992-0606	Male 90° Swivel -6 Hose x 9/16-18 Thread x Black Anodized - Use to attach Hose directly to tank for remote mounting of Check Valve or Vent Canister.
	5908-VC1	Vent Canister Billet Aluminum Black Anodized -6 Inlet With 40 Micron Sintered Vent. Use for Fuel Tank, Axle Housing & Transmissions. Require Mounting Bracket and Connecting Hose.
	5908-VC1-HP	Vent Can Premium Hose Only Contains -6 x 36" Black Push-Lite Race Hose, 2 Hose Clamps and One of Each Hose End, Straight, 45° and 90°. Use to Attach Vent Can to Axle or Gas Tank.
	5908-VC1-RV	Vent Can Breather Vent Remote Conversion Fittings. Contains -6 Hose Cannister Fitting, -6 Male x Female -8 ORB Bulkhead Fitting With Jam Nut and Bolt-On Chassis Mounting Bracket. Use To Move the Cannister Vent On 5908-VC1 From The Can to a Remoter Location. Required Hose and Hose Ends Not Included. Use 5908-VC1-HP

	5908-VC1-MB	Vent Can Bolt-On Single Chassis Mount
	5908-VC1-MW	Vent Can Weld-On Single Chassis Mount
	5908-VC1-DF	Vent Can Drill Fixture Single or Double Mounting To Flat Surface
	5908-VC1-PS	Vent Can Single Platform Chassis Mount Weld-On
	5908-VC1-PD	Vent Can Double Platform Chassis Mount Weld-On
	5908-RB-HP	Vent Remote Breather With Premium Hose Contains -6 x 36" Black Push-Lite Race Hose, One of Each Hose End, Straight, 45° and 90°, 40 Micron Sintered Vent, -6 Male x Female -8 ORB Bulkhead Fitting With Jam Nut and Bolt-On Chassis Mounting Bracket. Use for Venting Fuel Tank, Axle Housing & Transmissions.

WARRANTY NOTICE:

There are NO WARRANTIES, either expressed or implied. Neither the seller nor manufacturer will be liable for any loss, damage or injury, direct or indirect, arising from the use or inability to determine the appropriate use of any products. Before any attempt at installation, all drawings and/or instruction sheets should be completely reviewed to determine the suitability of the product for its intended use. In this connection, the user assumes all responsibility and risk. We reserve the right to change specification without notice. Further, Chris Alston's Chassisworks, Inc., makes **NO GUARANTEE** in reference to any specific class legality of any component. **ALL PRODUCTS ARE INTENDED FOR RACING AND OFF-ROAD USE AND MAY NOT BE LEGALLY USED ON THE HIGHWAY.** The products offered for sale are true race-car components and, in all cases, require some fabrication skill. **NO PRODUCT OR SERVICE IS DESIGNED OR INTENDED TO PREVENT INJURY OR DEATH.**

Chris Alston's Chassisworks
8661 Younger Creek Drive
Sacramento, CA 95828
Phone: 916-388-0288
Technical Support: sales@cachassisworks.com

