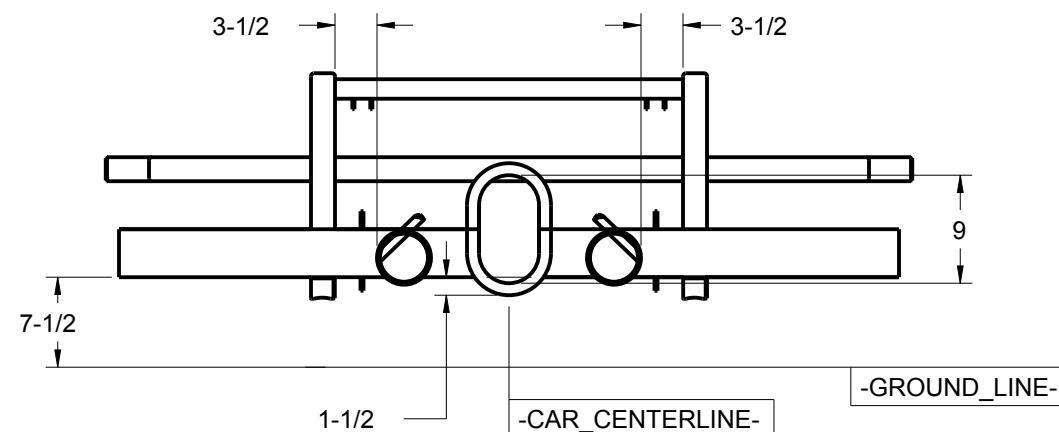
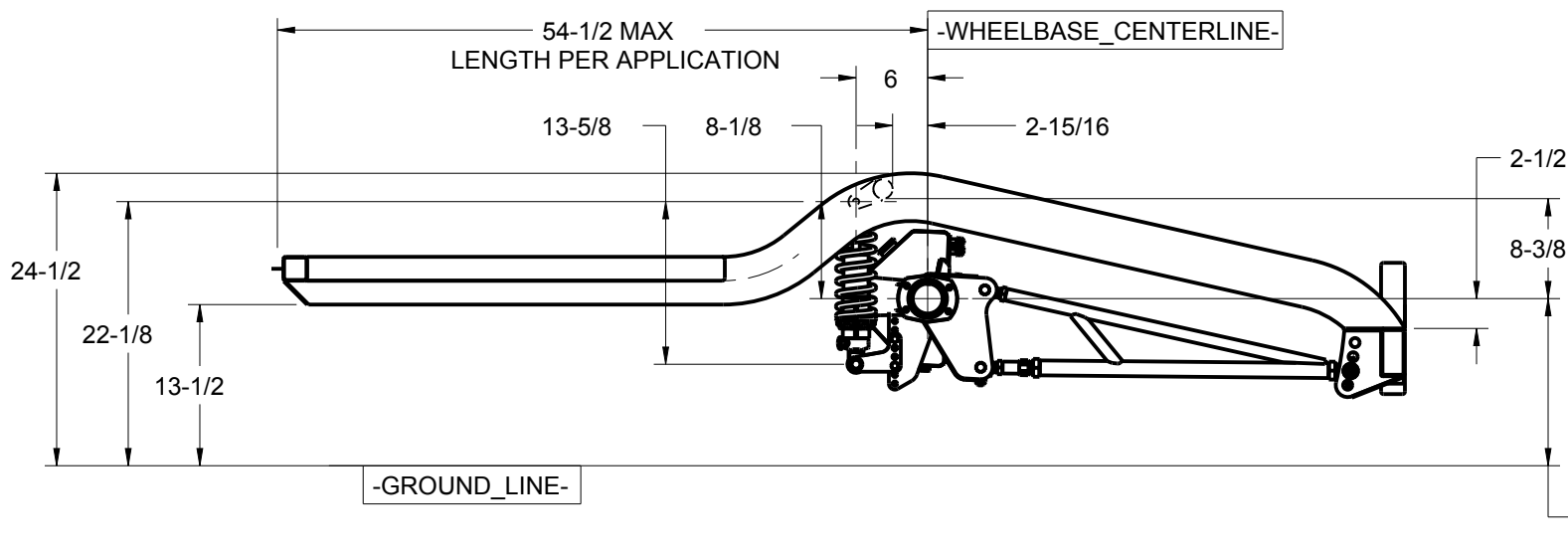
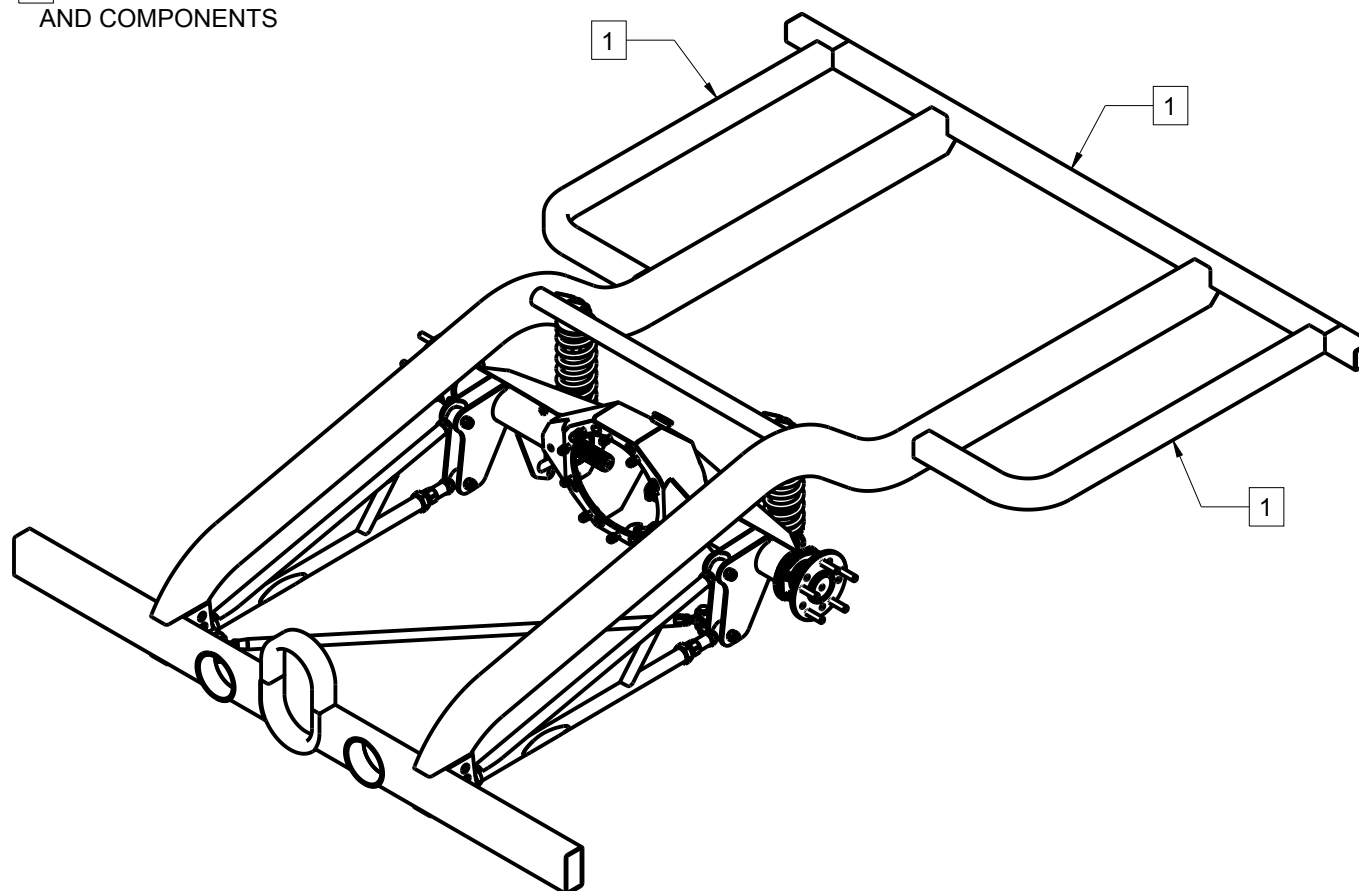
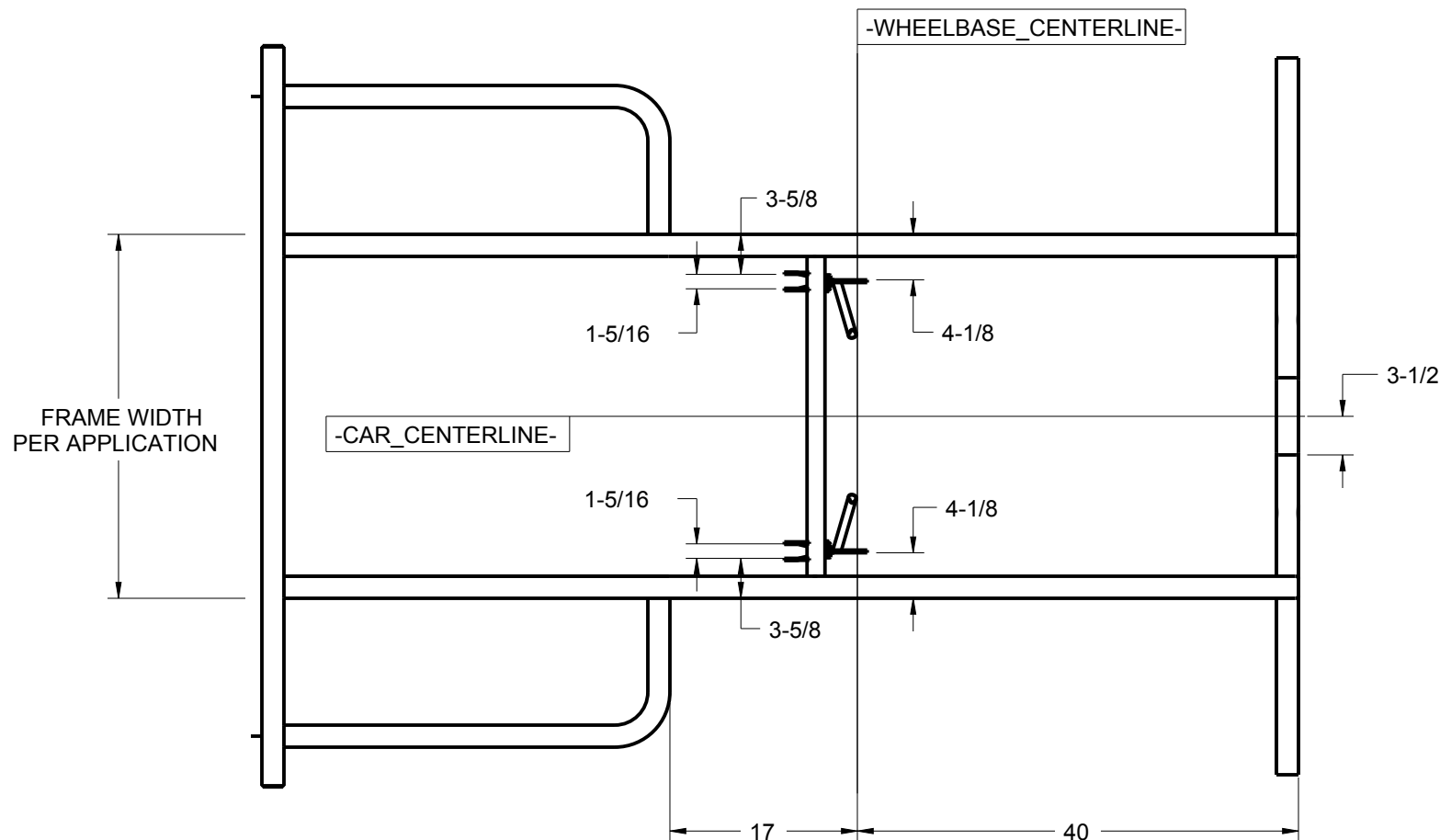
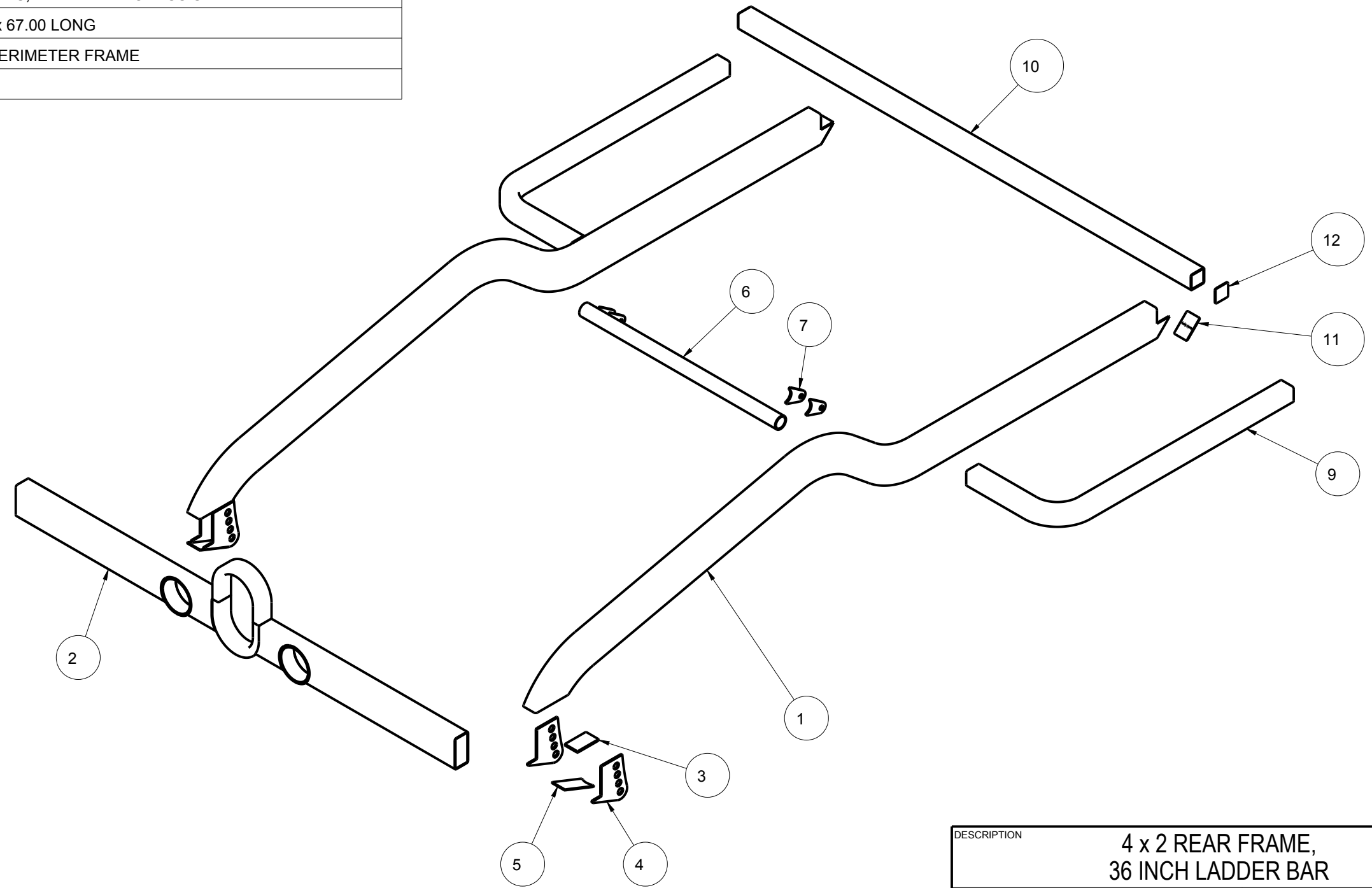


NOTES:  
 1 OPTIONAL OUTRIGGERS  
 AND COMPONENTS



DESCRIPTION	<b>4 x 2 REAR FRAME, 36 INCH LADDER BAR</b>	
<i>Chris Alston's</i> <b>CHASSISWORKS INC.</b> 8661 YOUNGER CREEK DRIVE SACRAMENTO, CA 95828 (916) 388-0288 FAX 388-0295	PART NO.	<b>7725-U01</b>
	7/16/18	DWG: 7951-7725U01

ITEM	QTY	PART NO.	DESCRIPTION
1	2	4551	4 x 2 REAR RAIL 36 INCH LADDER BAR
2	1	5408	9 OVAL, EXHST PORTS, 4 x 2 XMEMBER, 65 LONG, 1 1/2 DROP ASSEMBLY
3	2	2157	LADDERBAR FRAME CAP FOR 4550 2 x 4 FRAME RAIL
4	4	2156	LADDER BAR MOUNT 2 x 4 FRAME, 4-3/4 HOLES
5	2	2037	LADDER BAR UNDER FRAME MT BOTTOM GUSSET 2x4.625
6	1	0001-030-000	STEEL TUBE $\phi$ 1 5/8 x 30
7	4	2101	SUSPENSION TAB 1/2 INCH HOLE
8	1	E26.134-036.000	STEEL TUBE $\phi$ 1 5/8 x 36
9	2	4564	OUTRIGGER, REAR FRAME RAILS, PERIMETER CHASSIS
10	1	B3216.120-67.00	TUBE, 2 x 2 x .120 WALL ERW x 67.00 LONG
11	2	7972-5014	TUBE CAP, REAR CLIP, 2 x 4 PERIMETER FRAME
12	2	7972-5015	TUBE CAP, 2 x 2, 12 GA



DESCRIPTION		<b>4 x 2 REAR FRAME, 36 INCH LADDER BAR</b>	
Chris Alston's <b>CHASSISWORKS INC.</b> 8661 YOUNGER CREEK DRIVE SACRAMENTO, CA 95828 (916) 388-0288 FAX 388-0295		PART NO.	<b>7725-U01</b>
		7/16/18	DWG: 7951-7725U01