

CHRIS ALSTON'S **Chassisworks** MUCH MORE THAN JUST DRAG RACING



EVERYTHING BOOKLET

VOLUME 2019



Pro-Touring & GM Muscle Car



Vintage Mustang & Ford Road Race



Classic Mustang & Ford Restomod



Doorslammer Drag Race



Classic & Late Model Truck Performance



Complete Pro-Touring Chassis Systems

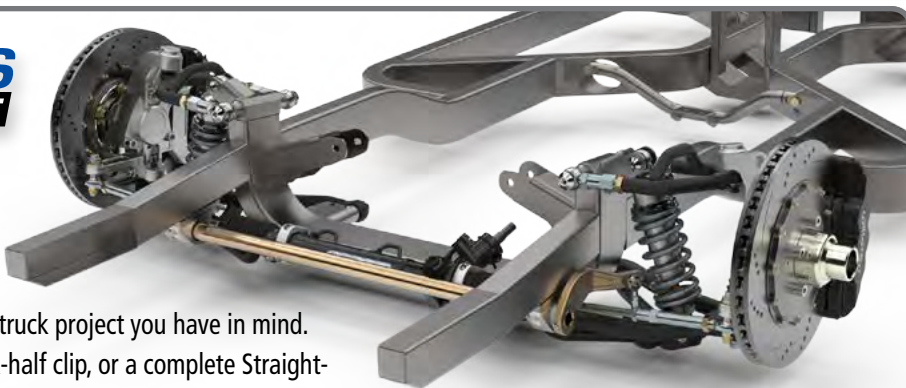
888.388.0239
CAChassisworks.com/Everything

CHRIS ALSTON'S
Chassisworks
THE HOME OF HIGHER TECHNOLOGY

4
CHRIS ALSTON'S
Chassisworks
CUSTOM FIT

Custom-Fit Frames, Clips and Crossmembers

The perfect solution... custom configured and performance specific suspensions for whatever car or truck project you have in mind. Choose just the front crossmember or frame clip, back-half clip, or a complete Straight-Rail or Perimeter-X frame with full complement of suspensions and tin kits.



18
CHRIS ALSTON'S
Chassisworks
PRO TOURING

GM Cars 1955-2002

Direct-fit and custom-fit product systems for Pro-Touring, g-Machine and Pro-Street muscle cars, and custom-built vehicles.



36
TOTAL CONTROL PRODUCTS

Ford Cars 1960-1977

Quality suspension and steering components available for Classic Restomod and Pro-Touring Mustangs, Cougars, Comets, Falcons and Fairlanes.



52
CHRIS ALSTON'S
Chassisworks
DRAG RACE

Doorslammer Components

Chassis and suspension product systems and components for street/strip, Pro Street, Drag Radial, Outlaw and Pro Mod.



84
KP COMPONENTS

Sport Truck 1960-2015

A leading developer of performance Sport-Truck coil-over, air-bag and air-suspension systems.



92
VariShock

Coil-Overs, Shocks and Struts

Performance shock absorbers and struts including stock replacement and custom fit products for the Pro-Touring, Pro Street, Street Rod, and Drag Race.



98
CDS
COMPONENT DRIVE SYSTEMS

Supercharger Drives and Accessories

The highest-quality gear- and belt-driven accessory systems for popular racing and street-performance engines.



Chris Alston's Chassisworks

CHRIS ALSTON'S
Chassisworks
THE HOME OF HIGHER TECHNOLOGY

CHRIS ALSTON'S
Chassisworks
THE HOME OF HIGHER TECHNOLOGY



For over 45 years, Chris Alston has remained committed to the development and manufacturing of components for street and race chassis applications. Investment in technology – on the factory floor and in our business systems – has been critical to our continued success and ability to continuously invent and refine products. Chris Alston's Chassisworks manufactures the largest selection of chassis and suspension parts in the automotive aftermarket industry. Comprised of seven distinctly different product brands, Chassisworks serves performance enthusiasts and racers in the domestic muscle car, drag race, and sport truck markets.





The Next Step... ... in the evolution of vehicle builds

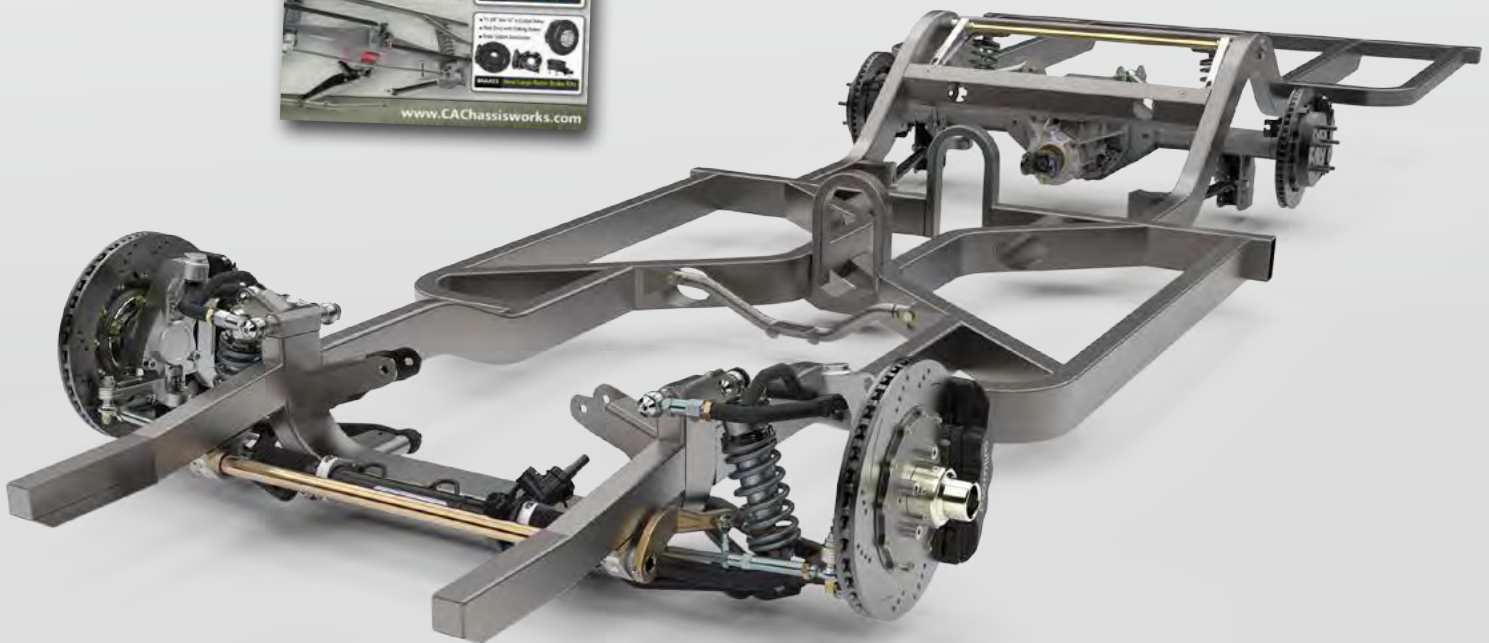
Avoid the hassle of extensive floor repairs on your custom build with Chassisworks new custom-fit frame and prefab floor system; The Complete Chassis Solution for Most Cars and Trucks. Unibody construction techniques are utilized when installing to improve rigidity over the original stock platform. Chassisworks custom-fit frame and simple trim-to-fit floor and tub system welds directly to the vehicle, creating a cohesive structure and saving valuable time and expense normally wasted repairing and mini-tubbing the stock floor.

Configure your custom solution today!

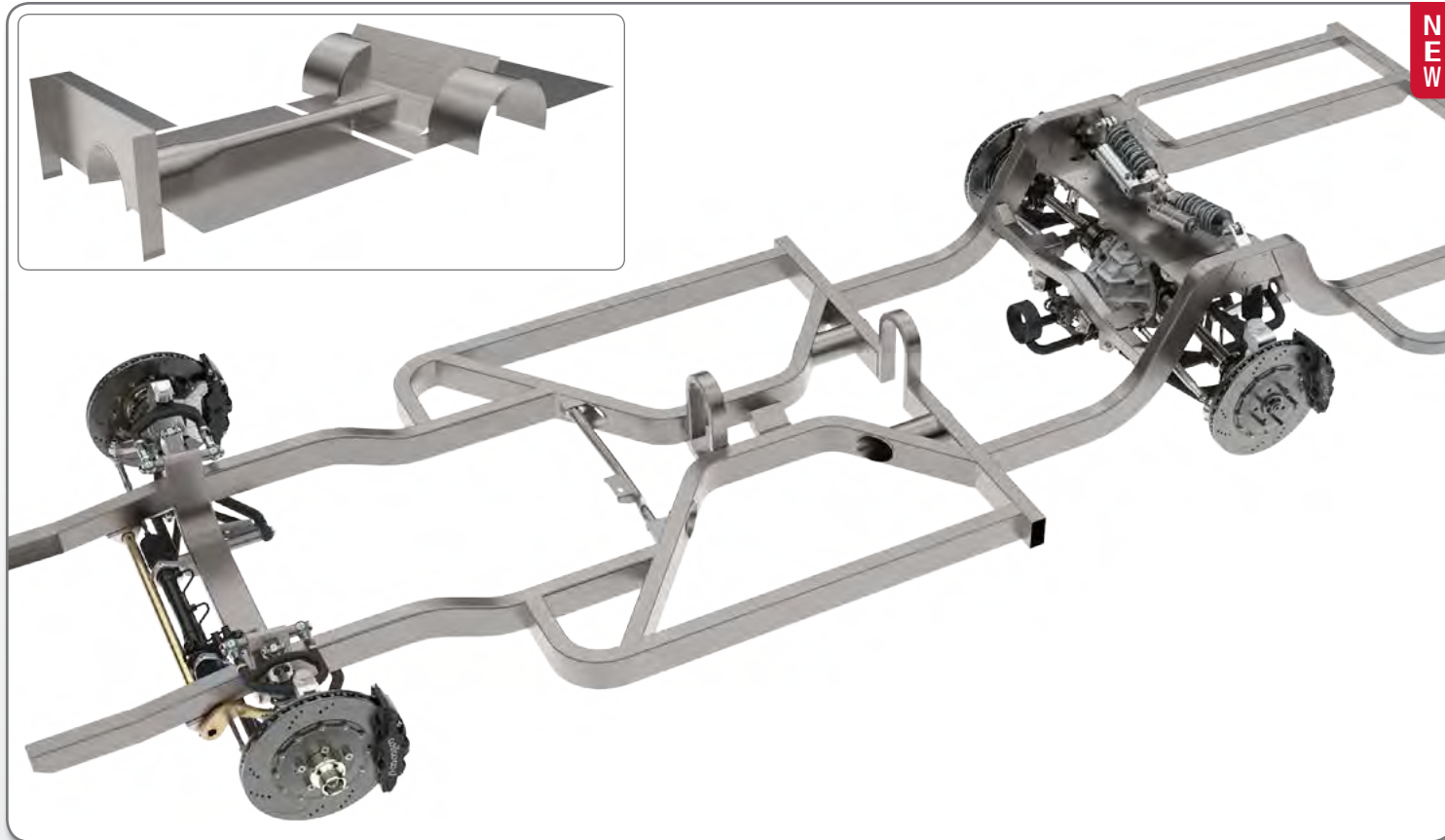


Custom-Fit Contents

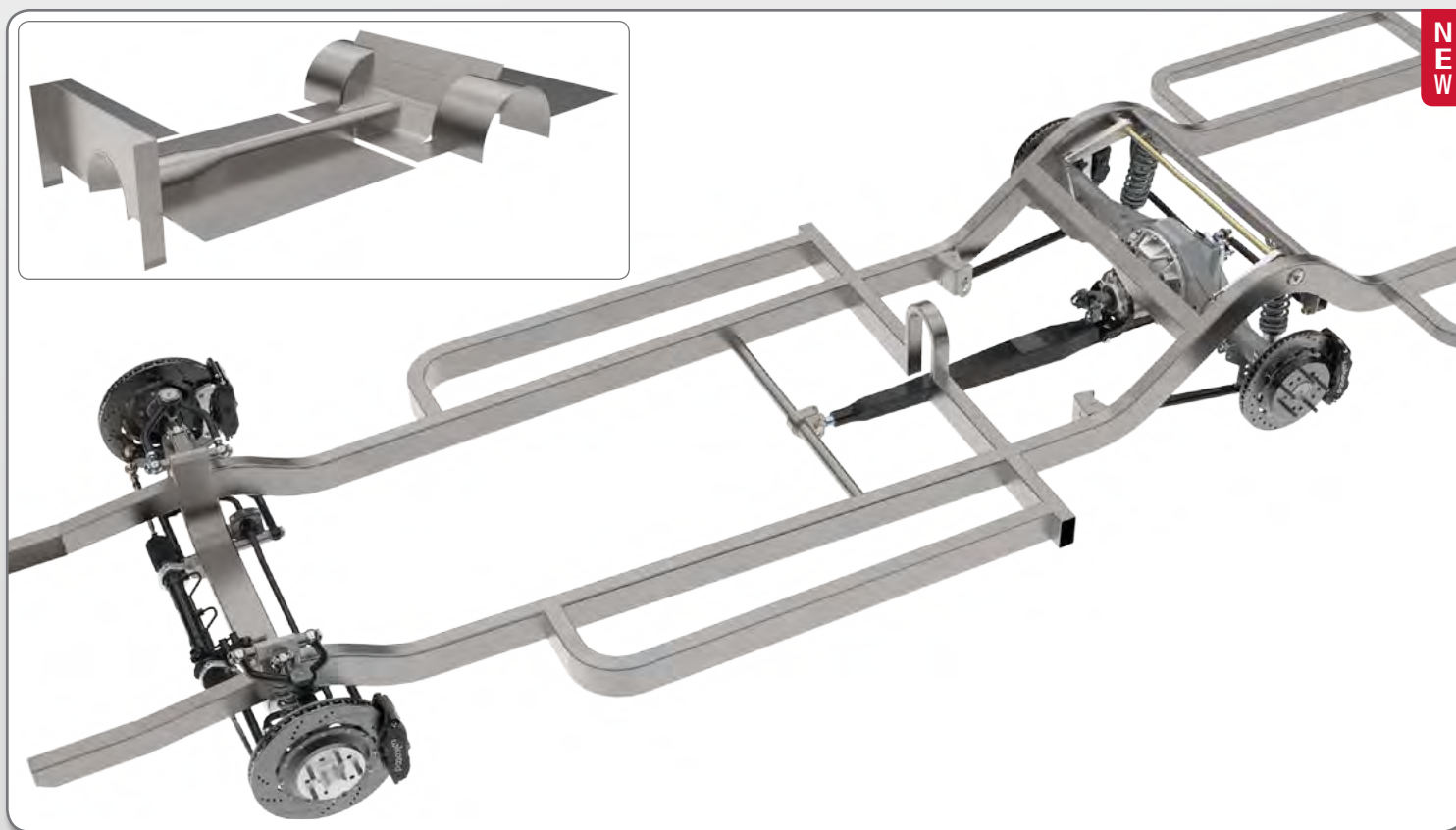
Full Frame Systems	5
Floor and Firewall Kit.....	6
Engine and Transmission Mounts.....	7
Frame Accessories.....	7
Front Frame Clips and Crossmembers.....	8
Front Suspension Systems.....	8
Shock Absorbers.....	9
Spindles and Brakes.....	9
Steering Components.....	10
Front Suspension A-Arms.....	10
Anti-Roll Bars, Front.....	10
gStreet IRS Frame Clip or Full Frame	12
Canted 4-Bar Rear Clip or Full Frame	14
Torque Arm Rear Clip or Full Frame	15
Parallel 4-Link Clip or Full Frame	16
Ladder Bar Clip or Full Frame	17



Custom-Fit Full Frame System

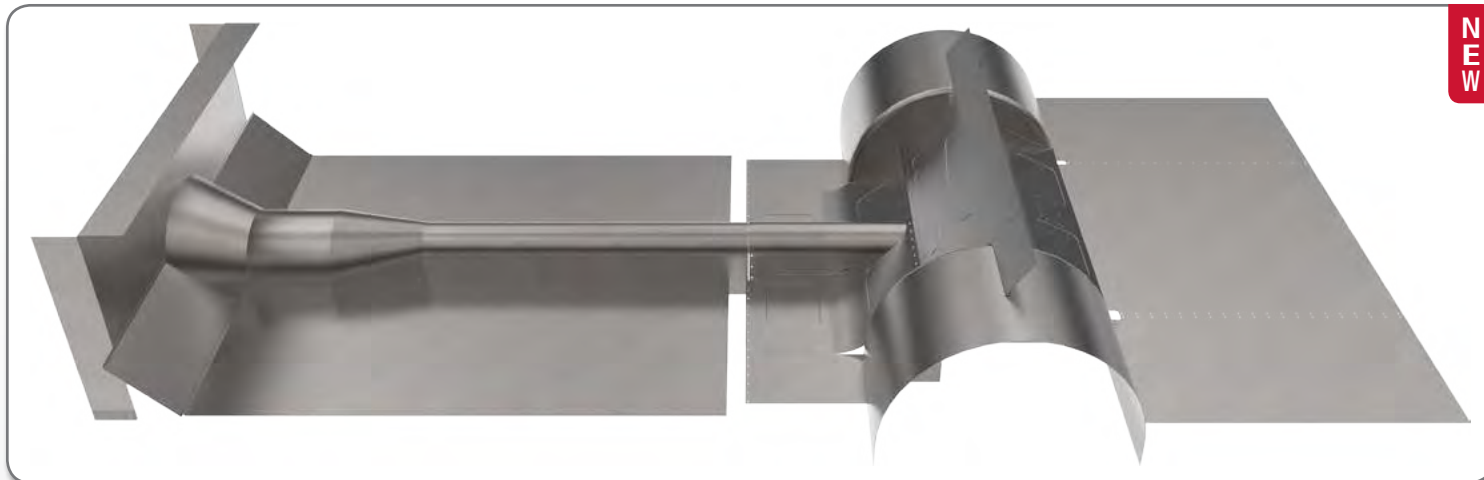


Perimeter-X Full Frames and Floor Kit

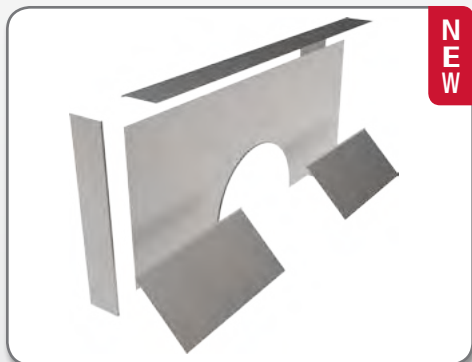


Straight-Rail Full Frames and Floor Kit

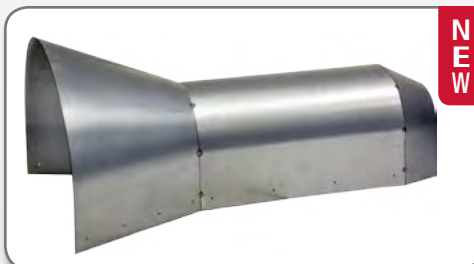
Custom-Fit Floor and Firewall Kit



Complete Firewall and Floor System



Front Firewall Kit



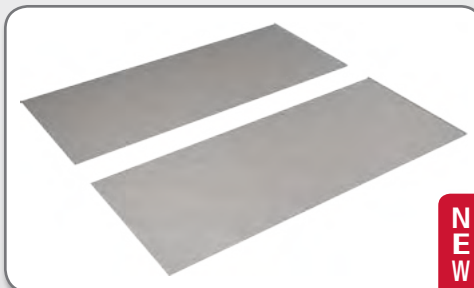
Manual Transmission Tunnel



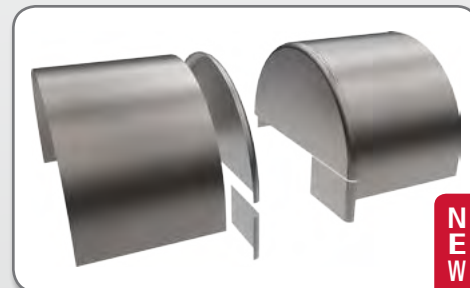
Automatic Transmission Tunnel



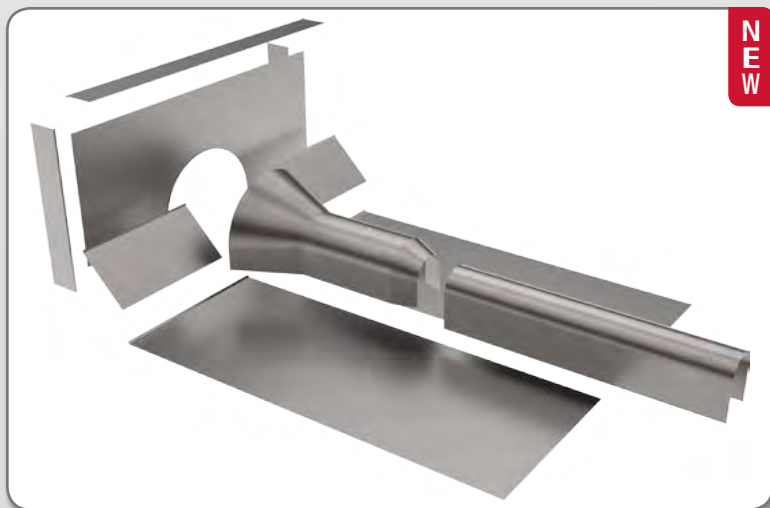
Driveshaft Tunnel



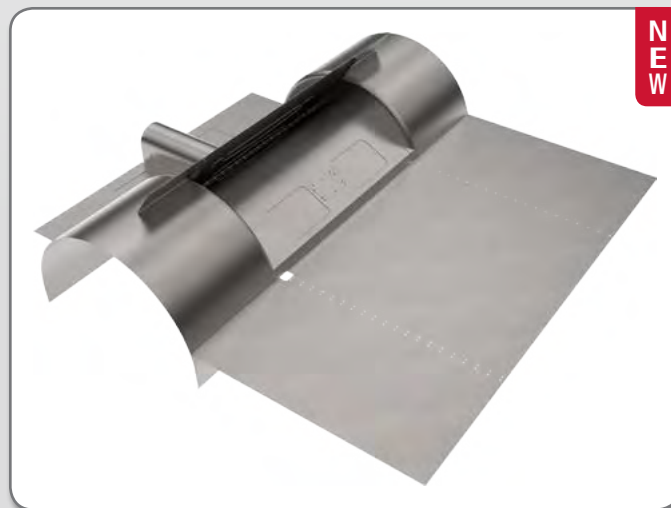
Front Floor Panels



Builder Wheel Tubs with Extensions

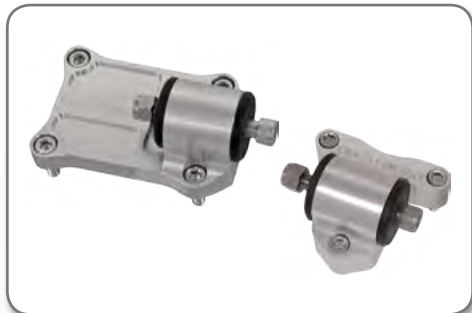


Front Firewall and Floor Kit



Rear Firewall and Floor Kit

Engine and Transmission Mounts



Billet Aluminum (Chevy)



Welded Steel (Chevy, Ford)



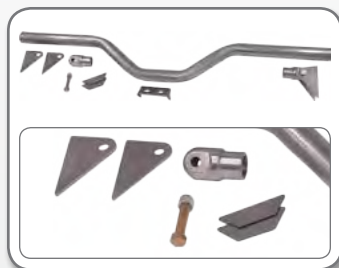
Steel (Pontiac V8)



Engine Mounts



Stainless Mount Spuds

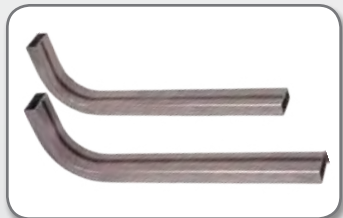


Transmission Crossmember

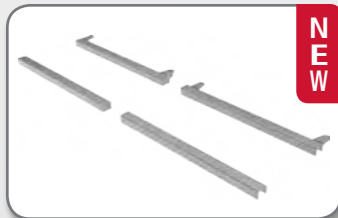


Poly Transmission Mount

Frame Accessories



Running Board Drops



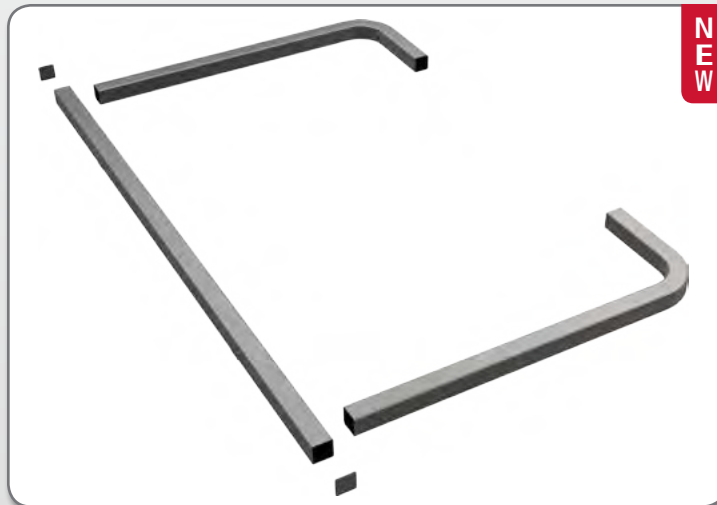
Seat Channels



Bumper-Mount Frame Horns



Tapered Frame Horns



Trunk Floor Outriggers



Driveshaft Half Loop



Driveshaft Loop



Exhaust Port Ring



Exhaust Port Tube

Front Frame Clips and Crossmembers



Front Frame Clip (shown with g-Machine Suspension)



15 Crossmember Widths (24 to 38 inches)



2 Rail Styles (4-1/2" and 6" Ground Clearance)

Front Suspension Systems



Ultimate Pro-Touring



g-Machine



Street Machine Air



Street Machine

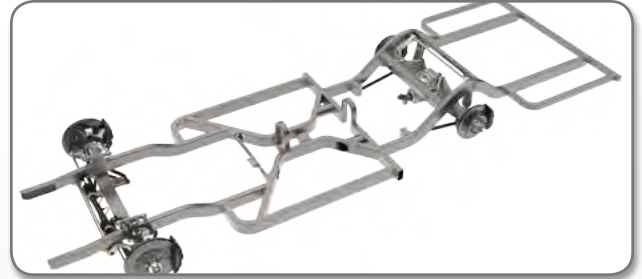
Front Suspension Components for Custom-Fit Crossmembers, Clips and Full Frames



4x2" A-Arm Crossmember



4x2" A-Arm Front Clip



4x2" A-Arm Full Frame

Shock Absorbers



Coil-Over Shocks



Remote Reservoir Coil-Overs



Air-Spring Shocks



Stainless Shock Spuds

Spindles and Brakes



Billet Upright/Spindle



14" Rotor



15" Rotor



Sculpted Spindle



11-3/4" Rotor



13" Rotor



14" Rotor



Fabricated Drag Race Spindle



11-3/4" Lightweight Rotor



11-3/4" Vented Rotor

Steering Components



Manual Rack



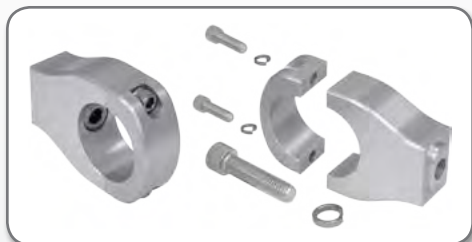
Power Rack



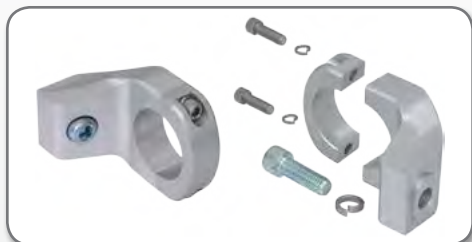
Tie Rod Sets



Bump Steer Tie Rods



Billet Manual Racks



Power Racks



Mustang II Rack Conversion

Front Suspension A-Arms



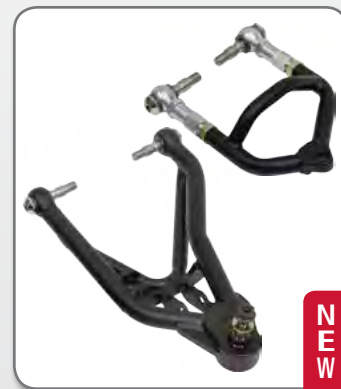
Street-Machine (Bare)



Street-Machine (Painted)



g-Machine



Ultimate Pro-Touring

NEW

Anti-Roll Bars, Front



Tubular ARBs



Splined Arm ARB

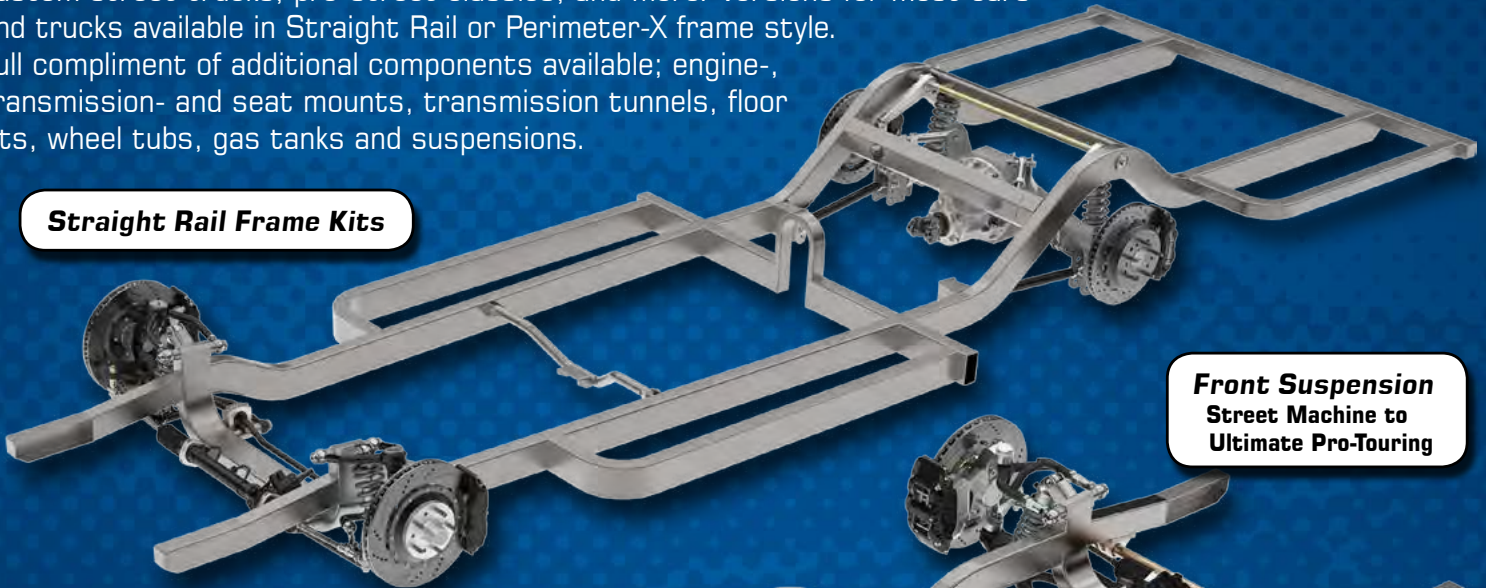


The Perfect Solution...

...for enviable builds of unique vehicles

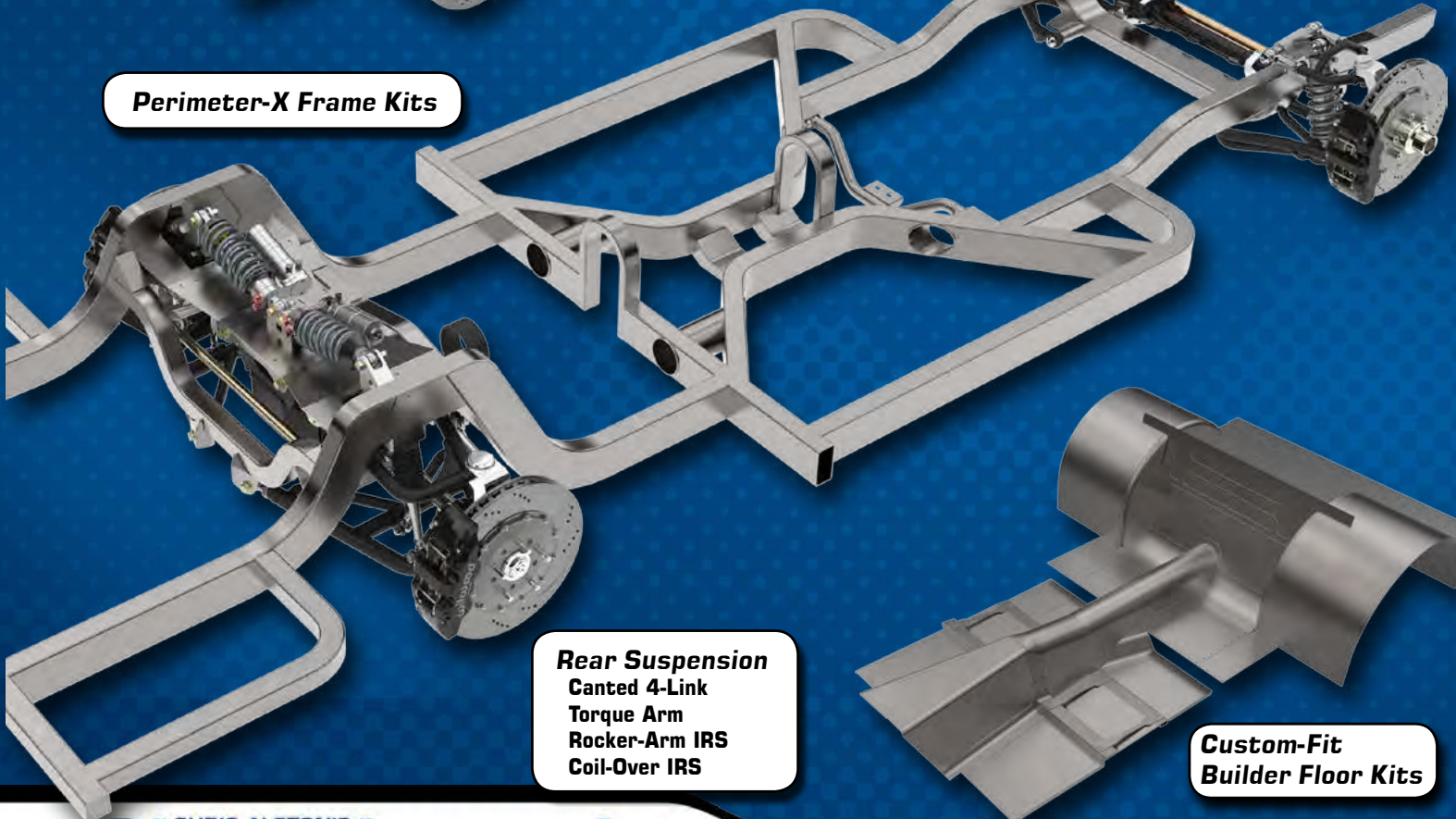
The Custom-Fit Builder Frame System from Chris Alston's Chassisworks is an extremely versatile engineering and construction approach. This technique enables Chassisworks to expertly prepare a sub-assembled kit or complete factory-welded frame, configured precisely to your build requirements. Front hub-to-hub width, ground clearance, wheelbase, and rear frame width can each be varied independently to create a correct fitting frame and vehicle stance for projects including g-machine/pro-touring muscle cars, street rods, custom street trucks, pro-street classics, and more. Versions for most cars and trucks available in Straight Rail or Perimeter-X frame style. Full compliment of additional components available; engine-, transmission- and seat mounts, transmission tunnels, floor kits, wheel tubs, gas tanks and suspensions.

Straight Rail Frame Kits



Front Suspension
Street Machine to
Ultimate Pro-Touring

Perimeter-X Frame Kits



Rear Suspension
Canted 4-Link
Torque Arm
Rocker-Arm IRS
Coil-Over IRS

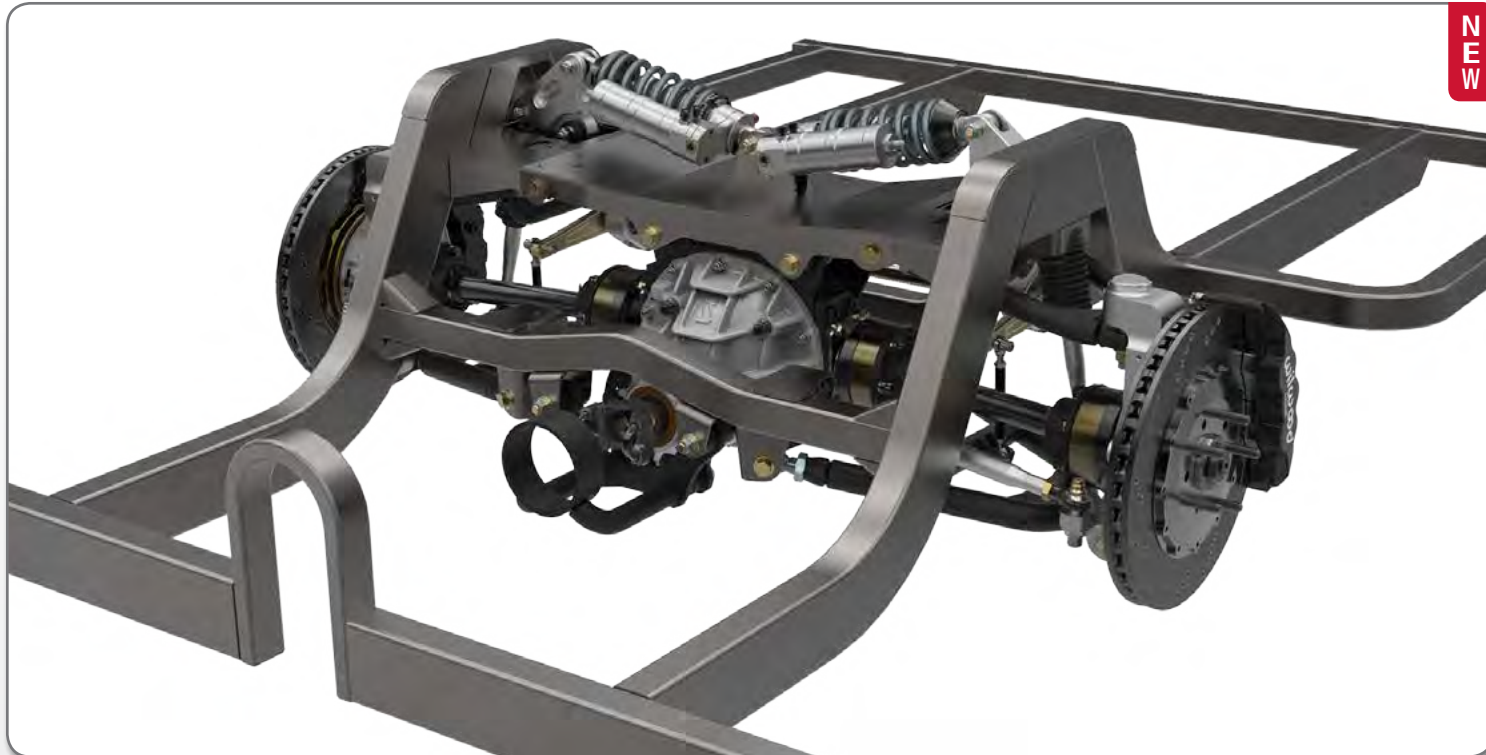
**Custom-Fit
Builder Floor Kits**

CHRIS ALSTON'S
Chassisworks
CUSTOM FIT

...MUCH MORE THAN JUST PRO-TOURING



gStreet Independent Rear Suspension Frame Clip or Full Frame System



NEW

gStreet IRS Frame Clip with Rocker-Arm Suspension



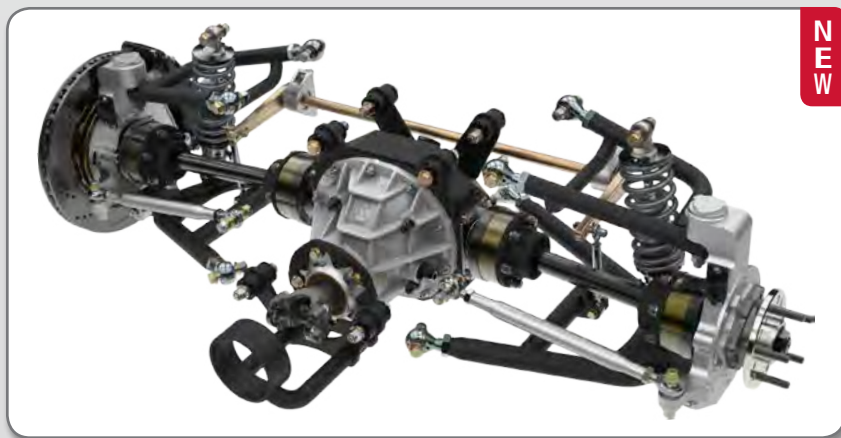
NEW

Rocker-Arm IRS Assembly (Center-Lock Hub)



NEW

Rocker-Arm IRS (5-Lug Hub)



NEW

Coil-Over IRS Assembly (5-Lug Hub)



NEW

Coil-Over IRS (Center-lock Hub)

Chassisworks Custom-Fit



Fits 345 and Larger Tires (345/30 on 20x13" shown)



Concise Component Packaging



NEW

Fabricated Ford 9" (FAB9) Center



NEW

35-Spline Half-Shaft Assemblies



NEW

35-Spline Stub Shafts



NEW

Pinion Support with Drive Shaft Loop



NEW

Splined-End Anti-Roll Bar



NEW

Piggyback 4-Way Coil-Overs (Option)



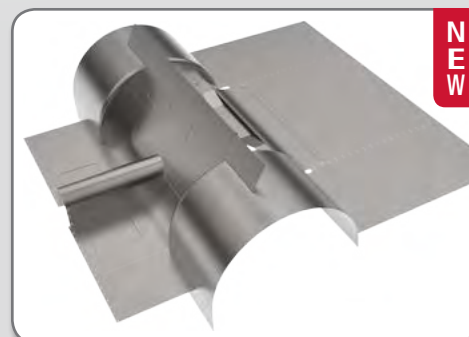
NEW

Billet IRS Uprights



NEW

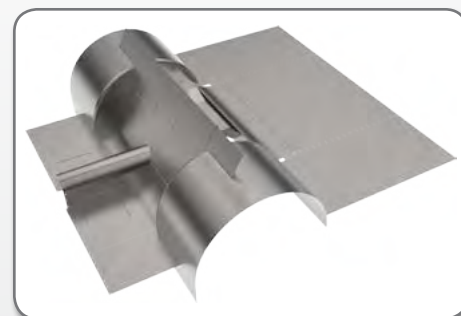
15" or 14", Integrated Parking Brake



NEW

Rear Floor and Firewall

Canted 4-Bar Rear Clip or Full Frame System



Canted 4-Bar Suspension - Individual Components



Canted Billet Aluminum



Single-Adjustable Tubular



Double-Adjustable Tubular



Splined-Arm ARB



Upper Arm Weld Fixture



FAB9 Rear End Housing



Coil-Over Shocks



Remote Reservoir Coil-Overs

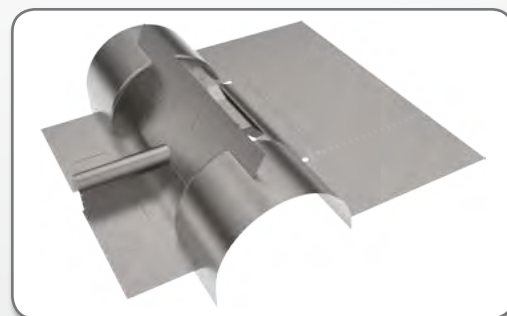


Air-Spring Shocks



Lower Shock Mount

Torque Arm Rear Clip or Full Frame System



Torque Arm Suspension - Individual Components



4130 Tubular Lower Links



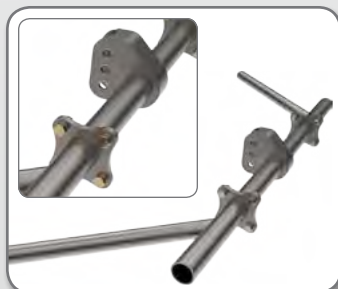
Billet Aluminum Links



FAB9 Rear End Housing



Torque Arm



Torque Arm Mount



Watts Link Locator



Splined-Arm ARB



Coil-Over Shocks

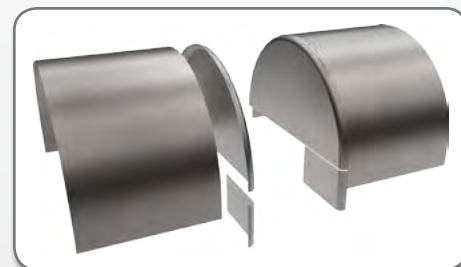
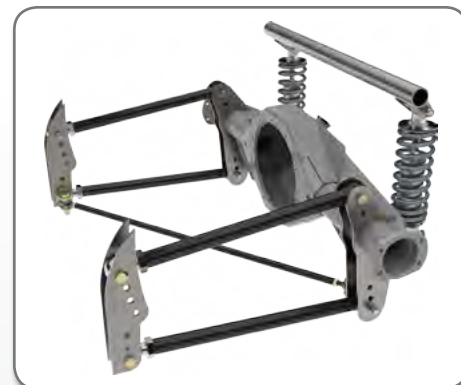


Remote Reservoir Coil-Overs



Air-Spring Shocks

Sportsman Parallel 4-Link Clip and Full Frame System



Sportsman Parallel 4-Link Suspension - Individual Components



Billet Aluminum 4-Link



Pro Street 4-Link



Pro Street FAB9 Housing



Poly Track Locator



Poly Panhard Bar



Double-Adjustable Panhard



Coil-Over Shocks

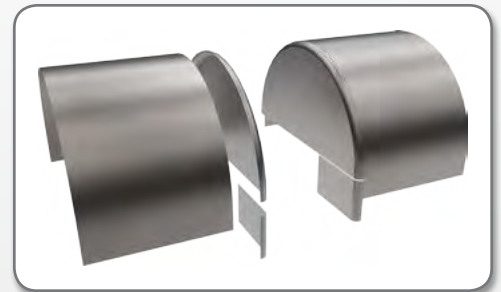


Remote Reservoir Coil-Over Shocks



Air-Spring Shocks

Sportsman Ladder Bar Clip and Full Frame System



Sportsman Ladder Bar Suspension - Individual Components



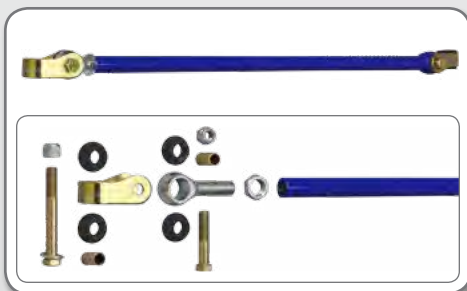
32" Poly-Eye



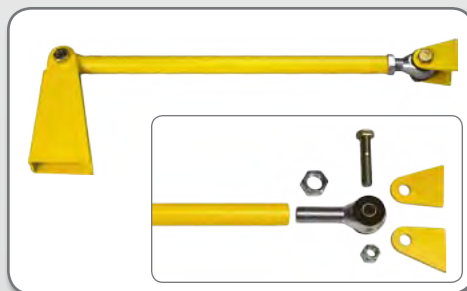
36" Poly-Eye



Pro Street FAB9 Housing



Poly Track Locator



Poly Panhard Bar



Double-Adjustable Panhard



Coil-Over Shocks



Remote Reservoir Coil-Overs



Air-Spring Shocks

CHRIS ALSTON'S
Chassisworks
PRO TOURING
AND
GM MUSCLE CAR

The Chassisworks Muscle Car product group strikes the right balance of acceleration, handling, and stopping power to serve Pro-Touring, g-Machine, and Restomod performance-handling applications. Bolt-on products and systems, universal custom-fit suspensions and chassis, and our exciting new gStreet Chassis System...

Chassisworks has it!



Look for items tagged **NEW** and **UPDATED** to see what we've been working on.

NEW

Direct-Fit Bolt-Ons

- ✓ Popular Vehicle Platforms
- ✓ Broad Performance Range
- ✓ Products that Fit

Direct-Fit Weld-In Solutions

- ✓ gStreet Modern Chassis System

Custom-Fit Solutions

- ✓ Scalable Product Systems
- ✓ Custom-Fit Chassis Line

Pro-Touring and GM Muscle Car Contents

Frame Clips and Chassis (Weld-In)

IRS Frame Clip - GM A-Body and F-Body.....	19
Chassis and Floor - '68-72 Chevelle (A-Body)	20
Chassis and Floor - '67-69 Camaro, '70-81 Camaro (F-Body)	20
Front Suspensions	21
Rear Suspensions	21

Front Frame Clips (Bolt-On)

Front Clip System - '67-81 Camaro, '68-72 Nova.....	22
Front Clip System - '62-67 Chevy II / Nova	23
Front Suspension Systems	24
Control Arm Sets	24
Steering Components.....	24
Shock Absorbers.....	25
Spindles and Brakes	25
Anti-Roll Bars, Front	25

Rear Suspension

Torque Arm - '67-81 Camaro, '62-72 Nova, '64-72 Chevelle.....	26
Torque Arm System - '82-02 Camaro (F-Body)	26
Torque Arm System (Custom-Fit)	26
g-Bar 4-Link Rear Suspensions.....	27
OEM 4-Link Coil-Over Systems - '64-72 Chevelle (A-Body)	28
OEM 4-Link Air-Spring Systems - '64-72 Chevelle (A-Body)	28
Power-Link - '64-72 A-Body, '78-87 G-Body, '79-04 Mustang.....	28
OEM-Style Systems - '64-72 A-Body, '78-87 G-Body	28
Coil-Over and Air-Spring Conversions	28
Rear Control Arms and Bushings.....	29
Rear Disc Parking Brake Kits	29
Rear Anti-Roll Bars.....	30
Shock & ARB System.....	30
FAB9™ Rearend Housings.....	30
Rearend - Individual Components.....	30

Front Suspension

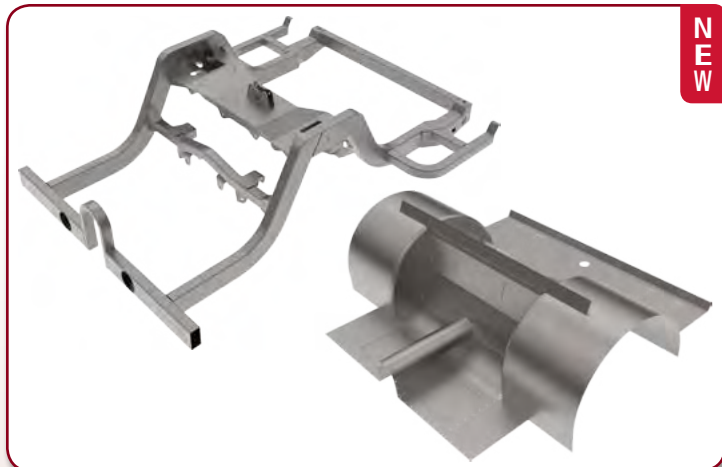
Complete Systems (Bolt-On)	31
Individual Components	31
Billet Aluminum Spindles	32
Forged Spindles and Hardware	32
Power Steering Pump Kits.....	33
Steering Gearbox	33
Steering U-Joints.....	33
Tie Rod and Bump Steer Components.....	33
Shock & ARB System.....	33
Front Disc Brake Kits	33

Chassis Components (Direct-Fit)

Billet Accessories.....	34
Exact-Fit Roll Bars and Cages.....	34
Roll Bars and Cage Components.....	34
Subframe g-Connector Systems	35
Transmission Crossmembers	35
Motor Mounts.....	35
Wheel Tubs and Accessories.....	35

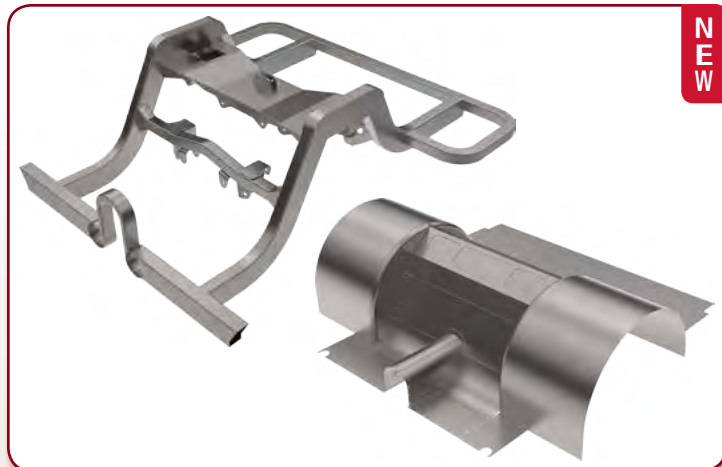
Chassisworks Pro Touring

Direct-Fit IRS Frame Clip and Floor Systems - GM A-Body and F-Body



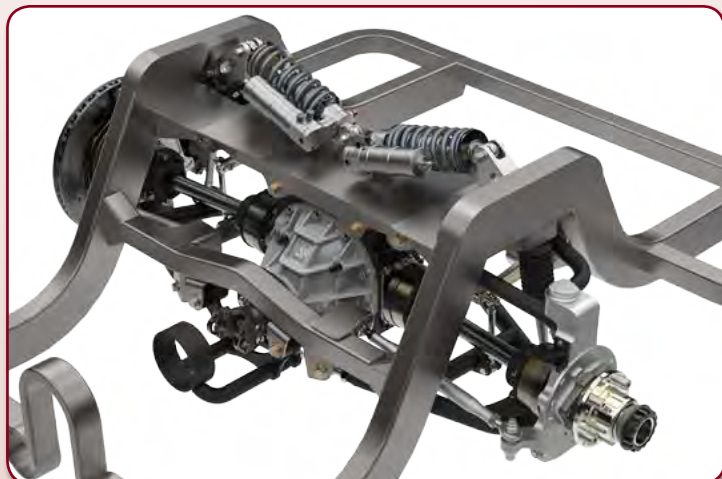
NEW

Frame Clip and Floor Kit - '64-72 Chevelle (A-Body)



NEW

Frame Clip and Floor Kit - '67-81 Camaro (F-Body)



Rocker-Arm IRS with Center-Lock Hub



345/30R-20 shown



Fabricated Ford 9" Center



Pinion Support Loop



35-Spline Hy-Tuf Shaft



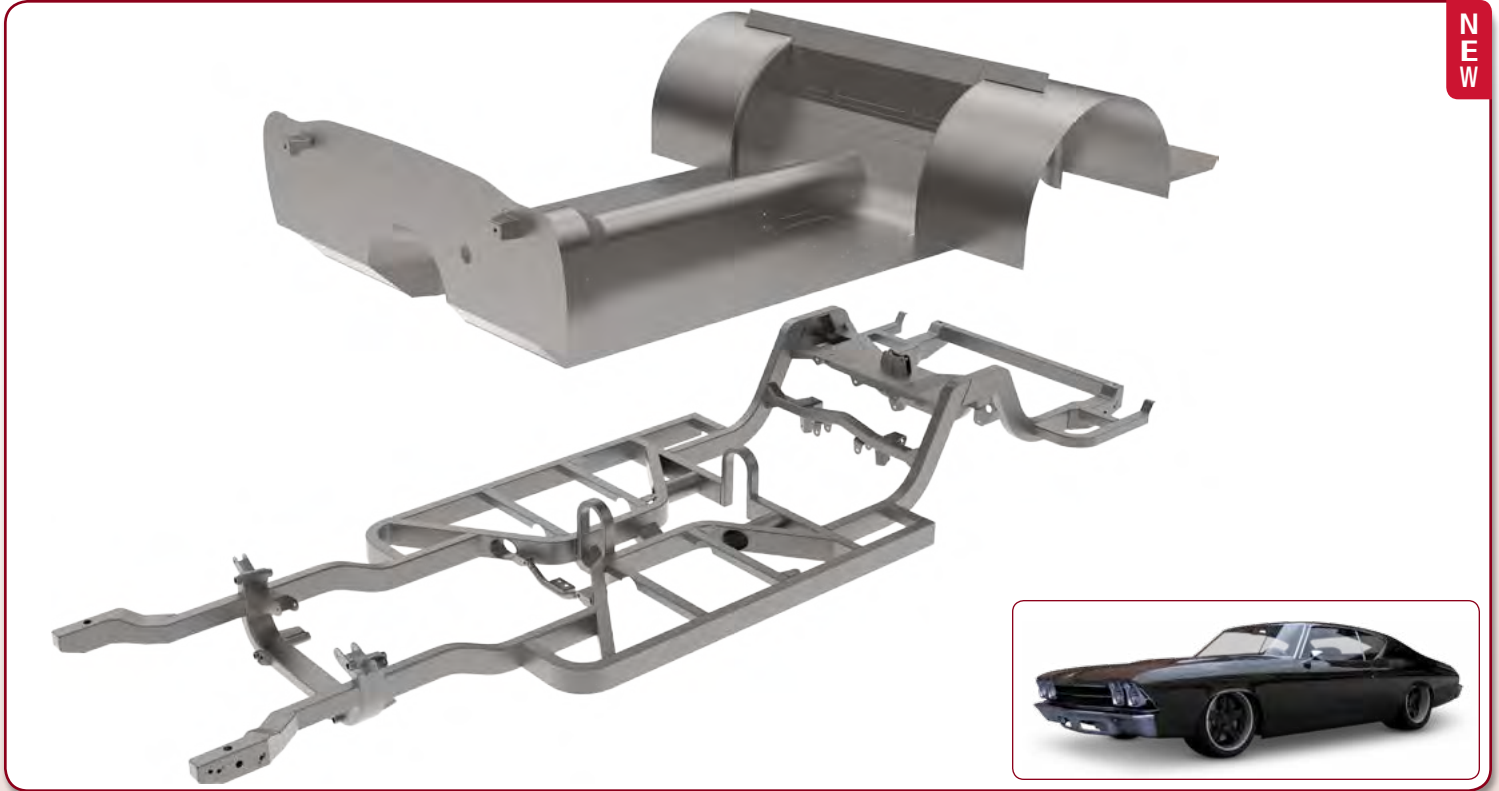
Billet Uprights



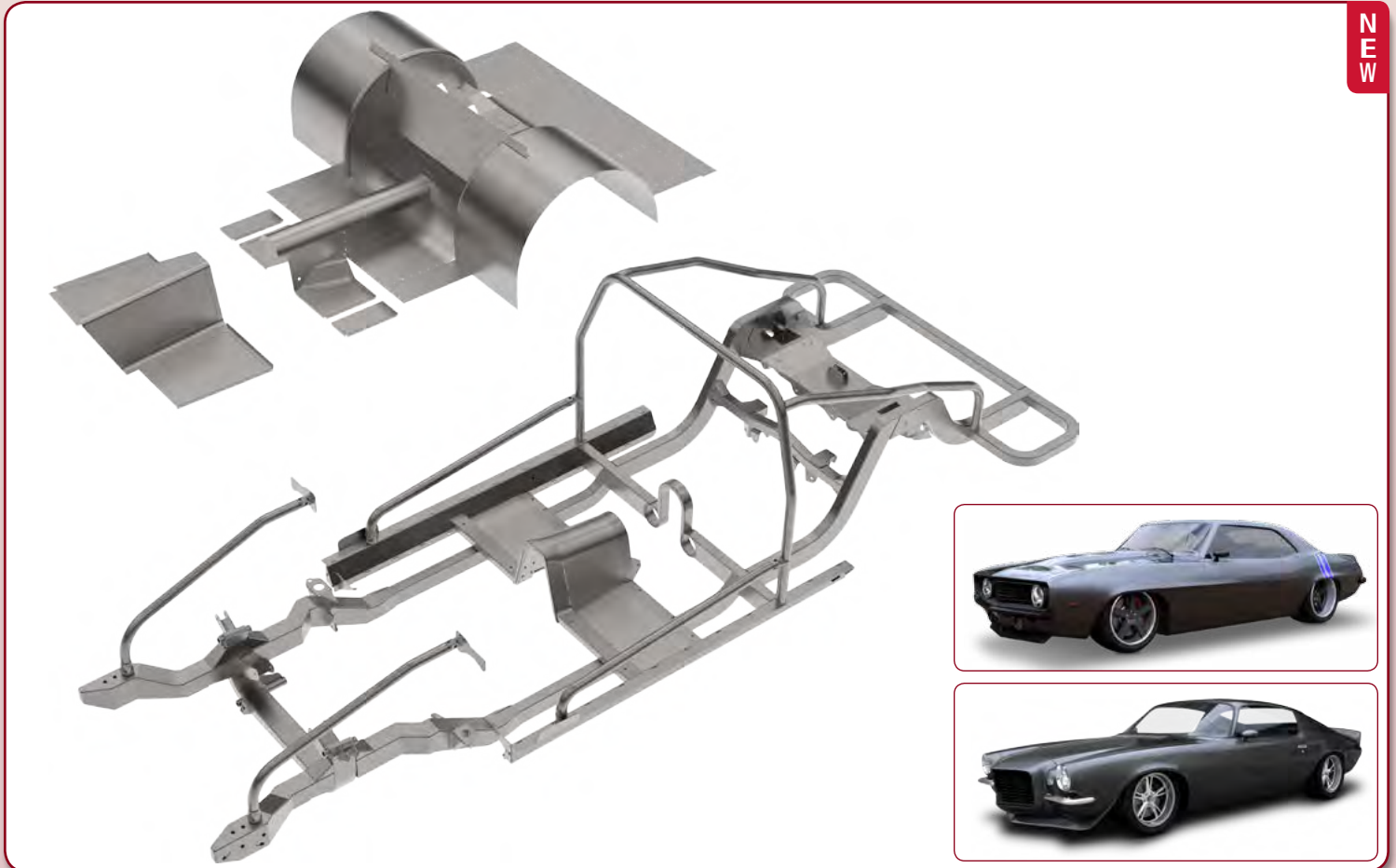
15" or 14" with Parking Brake

Chassisworks Pro Touring

Direct-Fit Chassis and Floor System - '68-72 Chevelle (A-Body)



Direct-Fit Chassis and Floor System - '67-69 Camaro, '70-81 Camaro (F-Body)



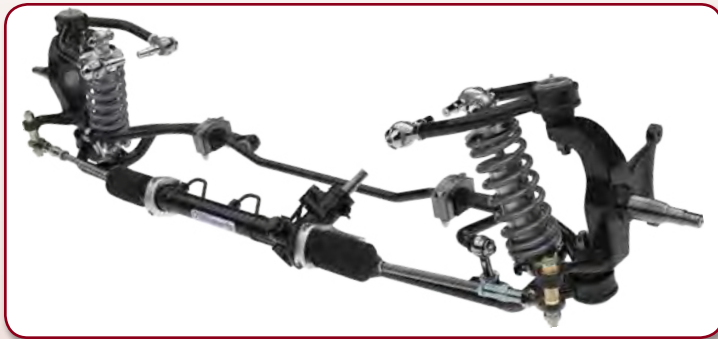
Direct-Fit Chassis - Front Suspensions



Ultimate Pro-Touring



g-Machine

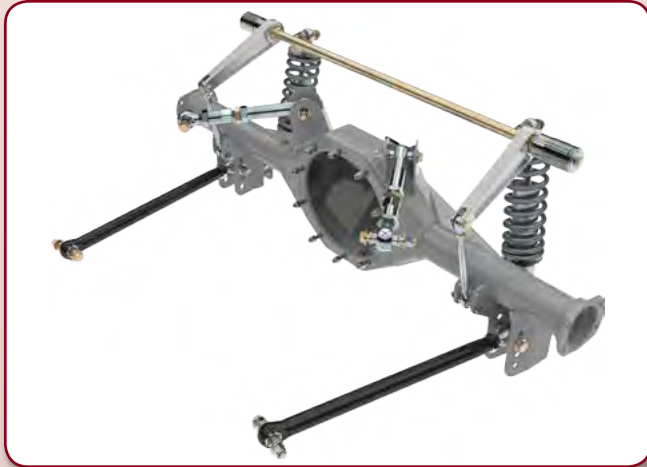


Street-Machine (Painted)



Street-Machine (Bare)

Direct-Fit Chassis - Rear Suspensions



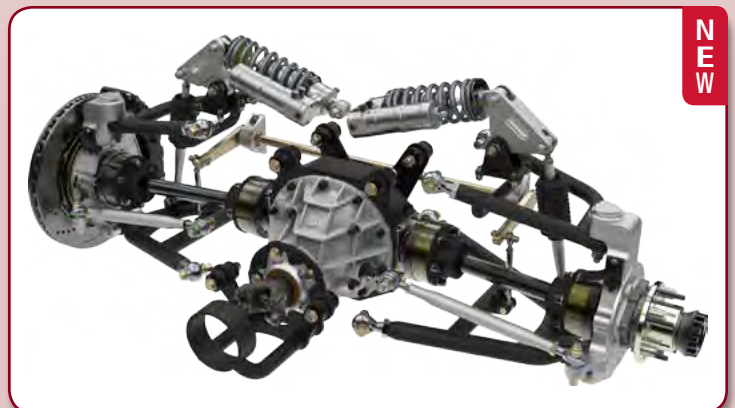
Canted 4-Link



Torque-Arm Watts-Link



Coil-Over IRS



Rocker-Arm IRS

Chassisworks Pro Touring

Front Bolt-On Clip System - '67-81 Camaro, '68-72 Nova



'67-69 Camaro (F-Body), '70-81 Camaro (F-Body), '68-72 Nova (X-Body)

Suspension Packages



Street Machine



Street Machine Air



g-Machine

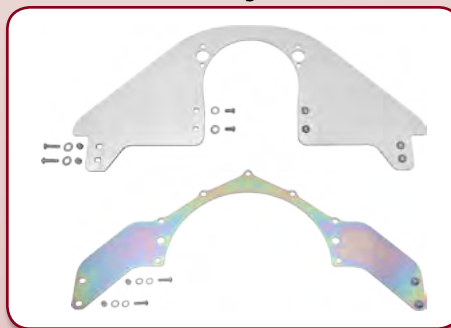


Ultimate Pro-Touring

Clip Year Specific Components - '67-81 Camaro (F-Body), '68-72 Nova (X-Body)



Subframe Connector System



Motor and Mid Plates



Inner Fender Splash Flaps



Transmission Crossmembers



Steering Shaft Kits



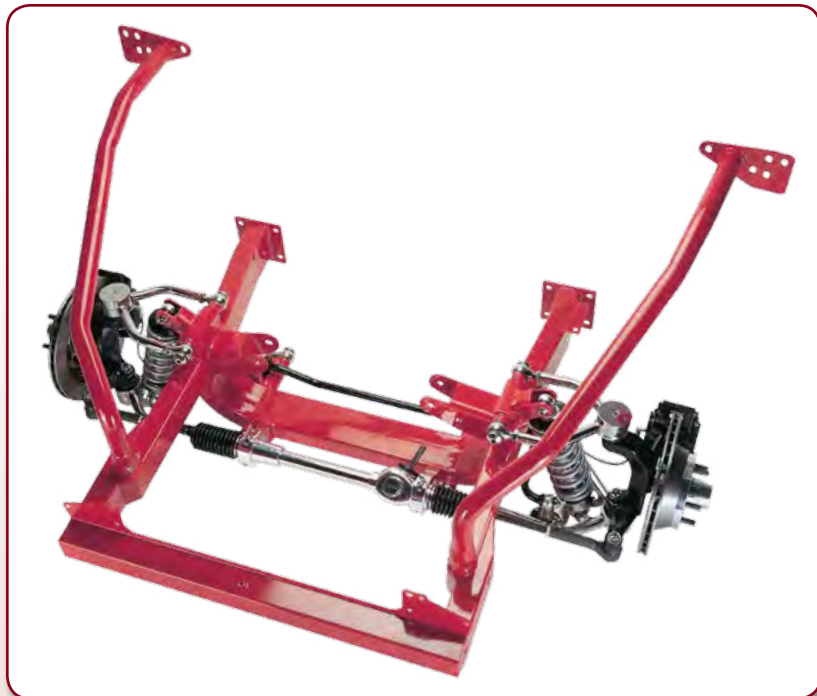
Clutch Cross Shaft Mount



Alignment Pin

Chassisworks Pro Touring

Front Bolt-On Clip System - '62-67 Chevy II / Nova



Suspension Packages



Street Machine



Street Machine Air



g-Machine



Ultimate Pro-Touring

NEW

Clip Year Specific Components - '62-67 Chevy II / Nova



Subframe Connector System



Inner Fender Panels



Hood Hinge Mount Supports



Motor and Mid Plates



Transmission Crossmember



Steering Column Support



Steering Shaft Kits

Front Suspension Systems



Ultimate Pro-Touring



g-Machine



Street-Machine (Painted)



Street-Machine (Bare)

Control Arm Sets



Street-Machine (Bare)



Street-Machine (Painted)



g-Machine



Ultimate Pro-Touring

Steering Components



Manual Rack



Power Rack



Tie Rod Sets



Bump Steer Tie Rods



Billet Manual Racks



Power Racks



Mustang II Rack Conversion

Shock Absorbers



Coil-Over Shocks



Remote Reservoir Coil-Overs



Air-Spring Shocks



Stainless Shock Spuds

Spindles and Brakes



Billet Upright/Spindle



Sculpted Spindle



Anti-Roll Bars, Front



Tubular ARBs



Splined Arm ARB

Torque Arm Suspension (Direct-Fit) - '67-81 Camaro (F-Body), '62-72 Nova, '64-72 Chevelle



Torque Arm Suspension



g-Connectors w/ Crossmember



Torque Arm FAB9 Housing



Splined End ARB

Torque Arm System (Direct-Fit) - '82-02 Camaro (F-Body)



Torque Arm



Torque Arm Crossmember



PRO Torque Arm Axle Mount



OEM Torque Arm Axle Mount



PRO Panhard Bar



'82-92 Torque Arm FAB9

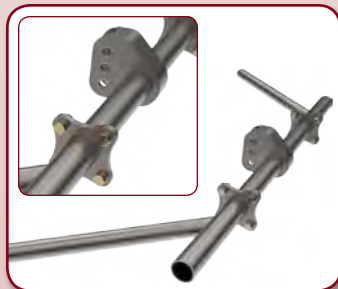


'93-02 Torque Arm FAB9

Torque Arm System (Custom-Fit)



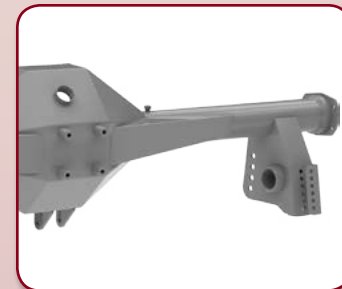
Torque Arm System



Torque Arm Crossmember



Fabricated Torque Arm



Torque Arm FAB9



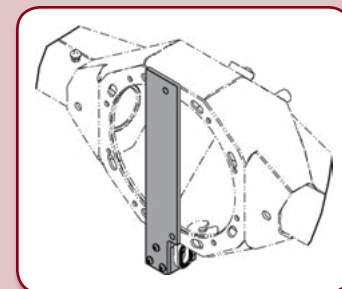
Watts Link (Custom-Fit)



Panhard Bar (Custom-Fit)



Anti-Roll Bar (Custom-Fit)



Torque Arm Weld Fixture

g-Bar 4-Link Rear Suspension - Complete Systems



g-Bar (Poly) Coil-Over



g-Link (Pivot) Coil-Over



Billet g-Link (Pivot) Coil-Over



'70-81 Camaro g-Link Clip



g-Bar (Poly) Air-Spring



g-Link (Pivot) Air-Spring



Billet g-Link (Pivot) Air-Spring



g-Bar Suspension Guide

g-Bar Suspension - Individual Components



g-Bar Sliding Link ARB



g-Bar Splined End ARB



Upper Arm Weld Fixture



g-Bar FAB9 Housings

g-Bar Suspension - Shocks



Coil-Over Shocks

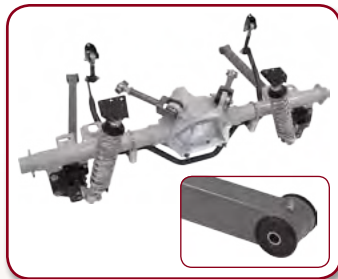


Remote Reservoir Coil-Overs

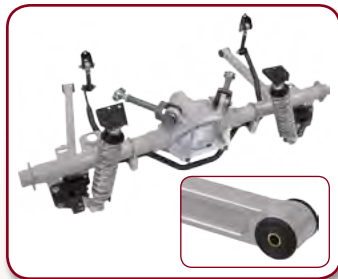


Air-Spring Shocks

OEM 4-Link Coil-Over Conversion Systems - '64-72 Chevelle (A-Body)



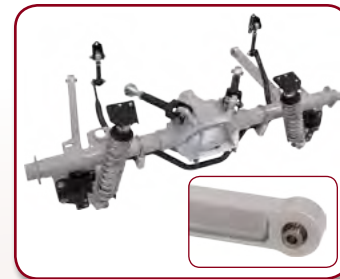
g-Bar (Poly) Coil-Over



Billet g-Bar (Poly) Coil-Over

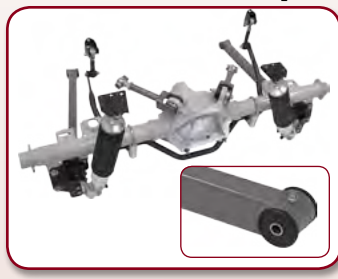


g-Link (Pivot) Coil-Over

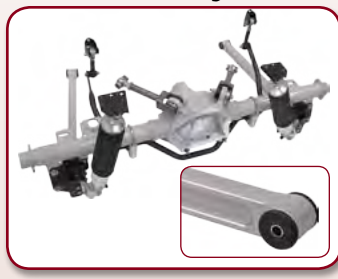


Billet g-Link (Pivot) Coil-Over

OEM 4-Link Air-Spring Conversion Systems - '64-72 Chevelle (A-Body)



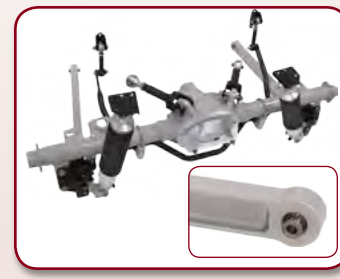
g-Bar (Poly) Air-Spring



Billet g-Bar (Poly) Air-Spring



g-Link (Pivot) Air-Spring



Billet g-Link (Pivot) Air-Spring

Power-Link and Competition Moly Systems - '64-72 Chevelle, '78-87 Monte Carlo, '79-04 Mustang



Smooth Body (A-, G-Body)



Coil-Over (A-Body)



Coil-Over ('79-04 Mustang)

OEM-Style Systems - '64-72 Chevelle (A-Body), '78-87 Monte Carlo (G-Body)



g-Bar (Poly)



Billet g-Bar (Poly)



g-Link (Pivot)



Billet g-Link (Pivot)

Coil-Over and Air-Spring Conversions - '64-72 Chevelle (A-Body), '79-04 Mustang



Bolt-On Coil-Over (A-Body)



Weld-In Coil-Over (A-Body)



Bolt-On Air-Spring (A-Body)



Coil-Over ('79-04 Mustang)

Rear Poly Control Arms - '64-72 A-Body, '78-87 G-Body, '82-02 F-Body



g-Bar (Poly) Upper



g-Bar (Poly) Lower



Billet g-Bar (Poly) Lower

Rear Pivotball Control Arms - '64-72 A-Body, '78-87 G-Body, '82-02 F-Body



g-Link (Pivot) Upper



g-Link (Pivot) Lower



Billet g-Link (Pivot) Lower

Rear Rod-End Control Arms - '64-72 A-Body, '78-87 G-Body, '79-04 Mustang



Competition Moly Upper



Competition Moly Lower



Pro Power Upper



Pro Power Lower

Rear Control Arm - Individual Components - '64-72 A-Body, '78-87 G-Body



Control Arm Bushings



UCA Housing Bushings



UCA Housing Bearings



Control Arm Brace

Rear Disc Parking Brake Kits



11" Rotor



12.19" Rotor



13" Rotor



14" Rotor

Rear Anti-Roll Bars



Control Arm Mount



Solid-Bar Axle Mount



Tubular-Bar Axle Mount



Splined-Arm Housing Mount

Shock & ARB System



Popular GM Cars

Rearend - Individual Components



ST Iron Package



HD Pro Aluminum



Housing Ends



Pro-Touring Floater Axle



Brake Kit for Floater Axle



Street Axle Packages



Wheel Studs

FAB9™ Rearend Housings



g-Bar 4-Link



Leaf Spring



OE 4-Link - Poly UCA



OE 4-Link - COM-12 UCA

Rearend Narrowing Jig System



Ford 9" Narrowing Jig



Rearend Narrowing Jig



Pinion Center-Line Gauge



Pro-Touring Floater Adapter

Front Suspension (Bolt-On) - Complete Systems



Coil-Over Suspension



Coil-Spring Suspension



Air-Spring Suspension



Air-Bag Suspension



Front Suspension (Bolt-On) - Individual Components



Billet Aluminum Spindles



Forged Spindles



Billet ARB Mounts



Pivotball ARB Endlinks



Steel Strap ARB Mounts



Poly ARB Endlinks



Anti-Roll Bars



Upper A-Arms



VariShock Bolt-Ins



A-Arm Front Coil-Overs



Coil-Over Lower Arms



Coil-Spring Lower Arms

Chassisworks Pro Touring

Billet Aluminum Spindles - A-Body '64-72 Chevelle, F-Body '67-69 Camaro, X-Body '68-72 Nova



NEW



Spindles - 2" Drop



Spindles - Stock Height



A-Body Steering Arms



F-Body Steering Arms

Forged Spindles and Hardware - '55-88 GM Passenger Cars, Mustang II



A, F, X-Body - Stock Height



A, F, X-Body - 2" Drop



A, F, X-Body - 2" Drop Tall



'70-78 F-Body - 2" Drop



'79-81 F-Body - 2" Drop



'79-88 G-Body - 2" Drop



'55-57 Chevy - 2" Drop



'58-64 Impala - 2" Drop



'65-70 Impala - 2" Drop



Mustang II - Stock Height



GM Spindles - 3/4" -20



Ford Spindles - 13/16" -20

Power Steering Pump Kits



Remote Reservoir



Integrated Reservoir

Steering Gearbox



Power Gearbox Cap, Fittings

Steering U-Joints



Steel U-Joint



Dual U-Joint



Isolater U-Joint



GM Rag Joint Adapter

Tie Rod and Bump Steer Components



Tie Rod Sets



Adjuster Sleeves



Bump Steer Tie Rods

Shock & ARB System



Popular GM and Ford

Front Disc Brake Kits



Wilwood Brake Kits



OEM Brake & Spindle Kits

Billet Accessories



Hood Hinges



Hood Pins

Exact-Fit Roll Bars and Cages - Complete Systems



Roll Bar



Forward Struts



Complete Cage

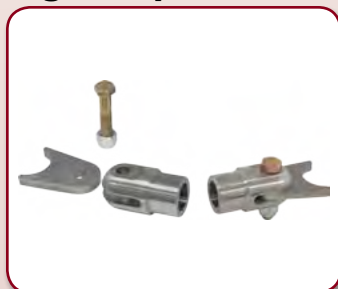


Removable Harness Bar

Exact-Fit Roll Bars and Cages - Optional Components



Roll Bar Removable Sidebar



Roll Bar Removable Back Brace



Cage Removable Sidebar



Cage Removable Back Brace



Stainless Spud Hardware



Quick-Release Lock Pin

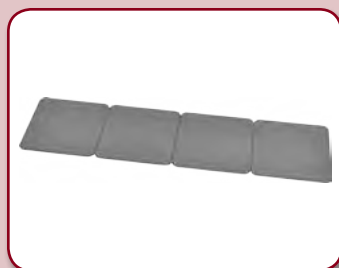
Roll Bar and Cage - Fabrication Components



Gemini Tube Connectors



Roll Cage Gusset (8-Pack)



6x6 Floor Plates (4-Pack)



6x6 Floor Plates (6-Pack)

Subframe g-Connector Systems and Individual Components



g-Connector Systems



Subframe Connectors



Connector Supports



OE Camaro Adapters



Driveshaft Loops



Billet Body Bushings



Urethane Body Bushings



Camaro Clip Alignment Pin

Transmission Crossmembers and Individual Components



'67-69 Camaro , 68-72 Nova



'70-81 Camaro



Poly Transmission Mount



Raised Trans Tunnel Cap

Direct-Fit Aluminum and Steel Motor Mounts - A-, F-, and X-Bodies



BB/SB Chevy & Pontiac V8



LS-Series

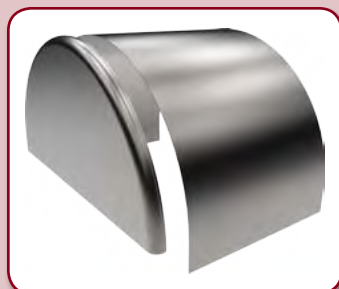
Wheel Tubs and Accessories



Mini Wheel Tubs



Mini Tub Frame Closeouts



Builder Wheel Tubs

Total Control Products



Total Control Products (TCP) began improving Mustang suspension and steering in 1995. Since the product line's inception, we have strived to offer the highest quality suspension and steering components available for early-model Mustangs, Cougars, Comets and Falcons. TCP's goal is performance, quality and easy installation without compromising the originality of your car.



Total Control Products Contents

Rear Frame Clips.....	37
g-Street Chassis System	38
Front Suspensions	39
Rear Suspensions	39
Rear Suspension	
Mini-Tub Leaf-Spring Systems	40
Mini-Tub g-Link Systems	41
g-Bar and g-Link Systems.....	42
Pushrod Torque Arm System.....	43
Torque Arm Components.....	43
Leaf Spring Systems	44
Leaf Spring Components	44
Front Suspension	
Frame Clip System (Weld-In)	45
Transmission Crossmember (Weld-In)	45
Suspension Systems	46
Suspension Components.....	46
Anti-Roll Bars and Components.....	47
Coil-Spring Suspension Components.....	47
Steering	
Manual Rack and Pinion Systems	47
Power Rack and Pinion Systems.....	47
Rack and Pinion Components	47
Power Steering Pumps	48
Power Steering Plumbing.....	48
Power Steering Pump Brackets	48
Spindles and Hardware	48
Tie Rod and Bump Steer Sets	48
Chassis	
Chassis Stiffening - Complete Systems.....	49
Subframe Connector Components	49
Tower Brace Components	49
Billet Accessories.....	49
Motor Mounts.....	50
Transmission Crossmember (Weld-In)	50
Rearend - Individual Components.....	50
Wheel Tubs and Accessories.....	51
FAB9™ Rearend Housings.....	51
Rear Disc Parking Brake Kits	51

Look for items tagged **NEW** and **UPDATED** to see what we've been working on.

NEW

TCP - The Smart Choice

- ✓ **'60s - '70s Ford/Mercury**
Mustang, Cougar, Falcon, Fairlane, Maverick and related models
- ✓ **Great Products that Fit**
- ✓ **Complete Solution**
Largest suspension, steering and chassis product line in our market
- ✓ **Broad Performance Range**
- ✓ **Premier Brand**
For over two decades TCP has proudly maintained its position as the top-tier performance brand in the early Mustang market

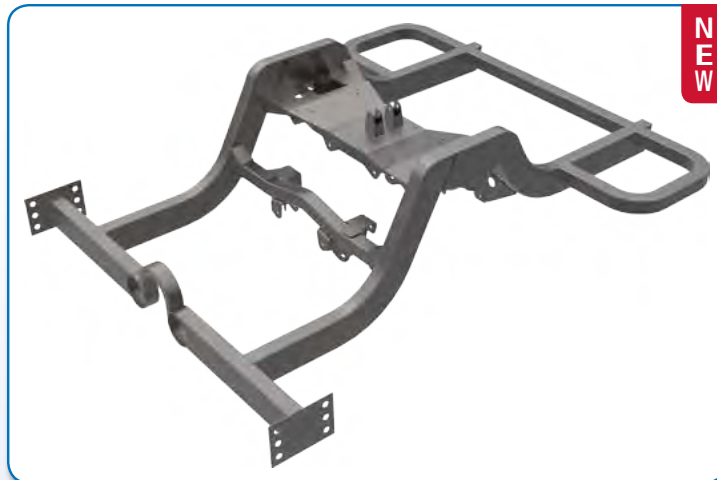


IRS Frame Clip for TCP and OEM Front Clips - '64-70 Mustang



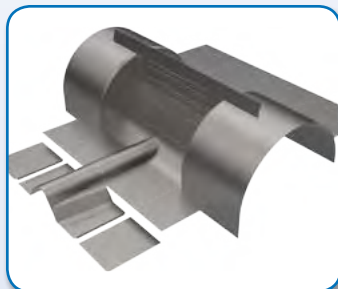
NEW

Rocker-Arm or Traditional Coil-Over Suspension



NEW

Mustang IRS Frame Clip



IRS Tin Kit



IRS Billet Uprights



14 or 15" with Parking Brake



Ford 9" Center; 35-Spline

Canted 4-Link and Torque Arm Frame Clips for TCP and OEM Front Clips



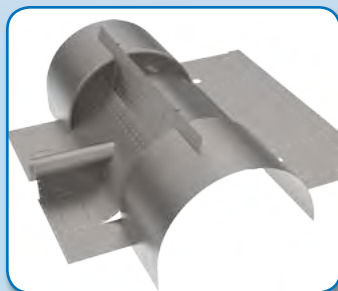
NEW

Canted 4-Link Coil-Over Suspension



NEW

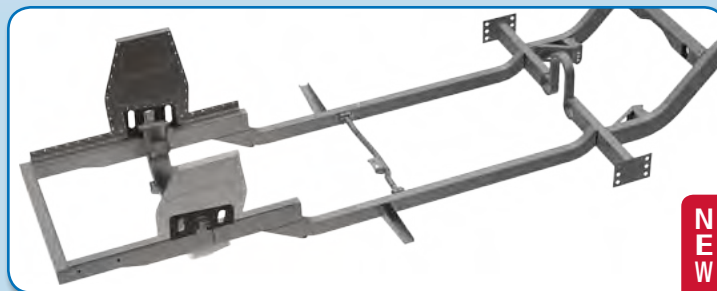
Torque Arm with Watts Link Coil-Over Suspension



Tin Kit



Fabricated Ford 9"



NEW

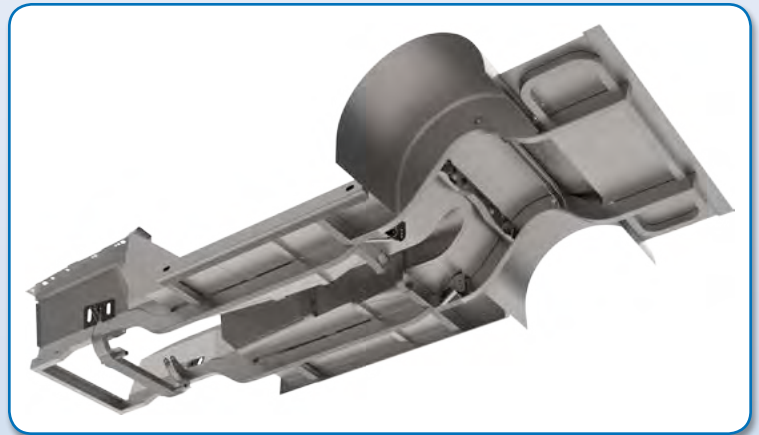
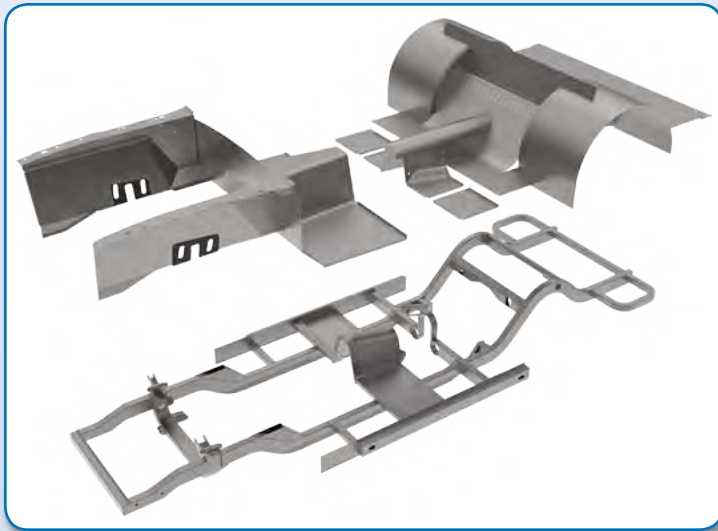
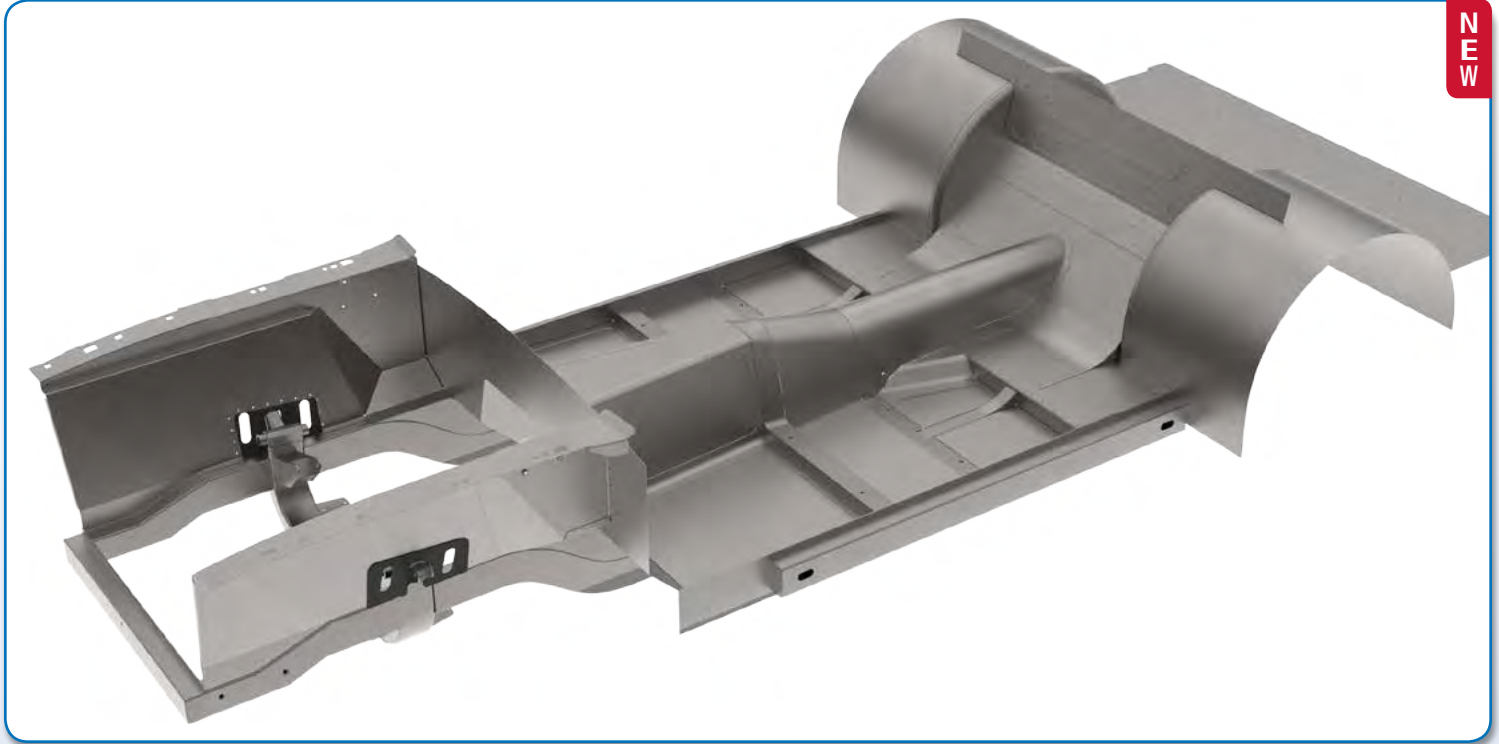
3x2" Frame Connectors (4-Link, Torque Arm, IRS)

Total Control Products



Direct-Fit g-Street Chassis System - '64-70 Mustang

NEW



Direct-Fit Chassis - Front Suspensions



Ultimate Pro-Touring



g-Machine



Street-Machine (Painted)

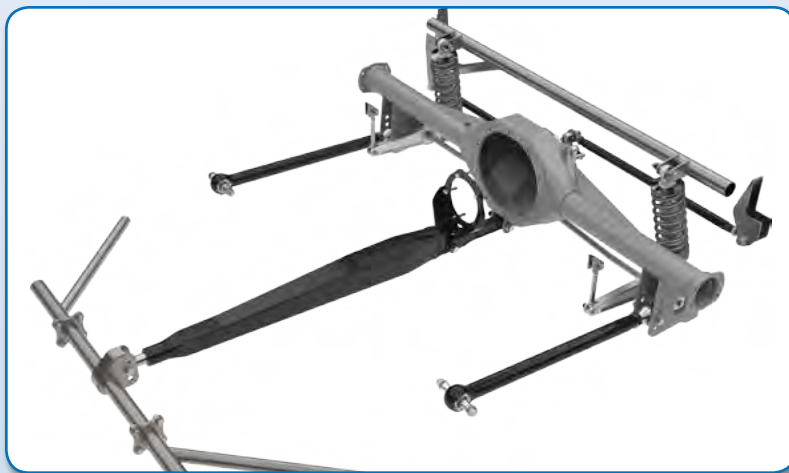


Street-Machine (Bare)

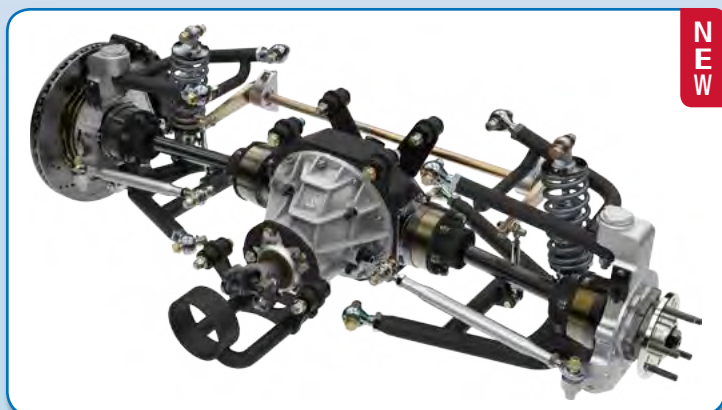
Direct-Fit Chassis - Rear Suspensions



Canted 4-Link



Torque-Arm Watts-Link



Coil-Over IRS

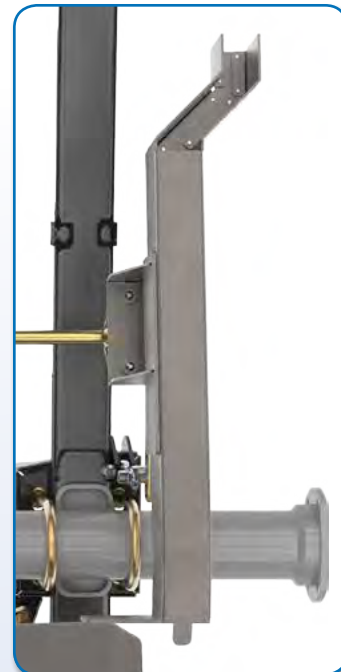


Rocker-Arm IRS

Mini-Tub Leaf-Spring Suspensions



Mini-Tub Leaf Spring Suspension



Offset Frame Rail



Inboard Spring Mount



Shackle Trunk Support



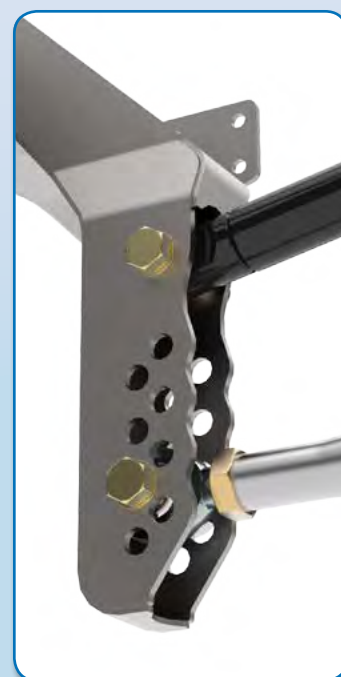
Mini Wheel Tubs



Adjustable Anti-Roll Bar



Mini-Tub Leaf Spring with Panhard Bar

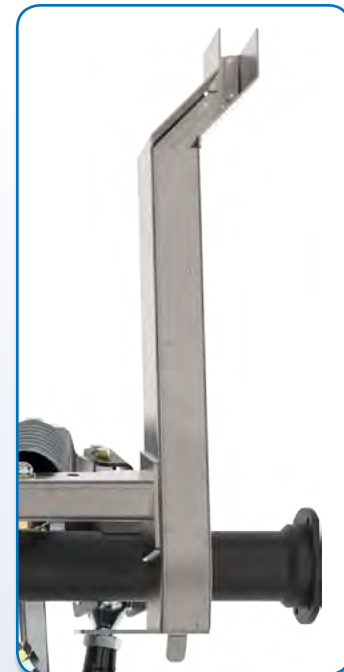


Panhard Bar Adjustments

Mini-Tub g-Link Suspensions



Mini-Tub g-Link Suspension



Offset Frame Rail



Inboard Lower Arm Mount



Adjustable Shock Mount



Mini Wheel Tubs



Adjustable Anti-Roll Bar



Mini-Tub g-Link Suspension



Mini-Tub Billet g-Link Suspension

Rear Suspension, g-Bar and g-Link - Complete Systems



Coil-Over g-Link with FAB9 Housing



Air-Spring g-Bar with OEM Housing



g-Bar (Poly) Coil-Over



g-Link (Pivot) Coil-Over



Billet g-Link (Pivot) Coil-Over



g-Bar (Poly) Air-Spring



g-Link (Pivot) Air-Spring



Billet g-Link (Pivot) Air-Spring

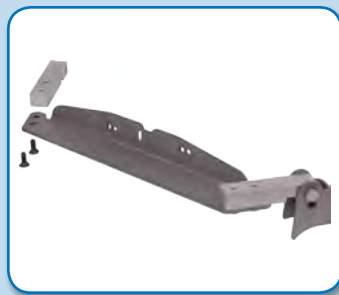
g-Bar Suspension - Individual Components



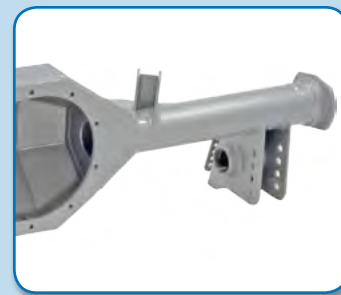
g-Bar Sliding Link ARB



g-Bar Splined End ARB



Upper Arm Weld Fixture



g-Bar FAB9 Housings

Rear Suspension, Pushrod Torque Arm - Complete Systems



Pushrod Coil-Over Torque Arm Suspension



Coupe-Fastback g-Connector System



Convertible g-Connector System



Billet Watts Link Pivot



Billet Shock Rocker Arm



Laydown Shock Configuration

Torque Arm Suspension and Individual Components



Leaf-Spring Torque Arm



Torque Arm FAB9s



Weld Fixture

Leaf Spring Suspension - Complete Systems



Leaf Spring Suspension



Leaf Spring with Panhard Bar



Leaf Spring with Torque Arm



Panhard Bar with Torque Arm



NEW

Mini-Tub Leaf Spring Suspension



NEW

Mini-Tub Leaf Spring with Panhard Bar

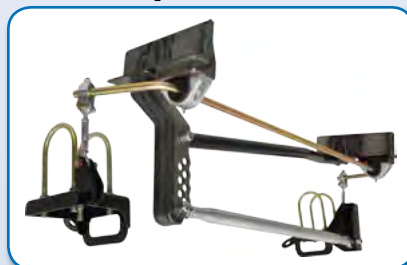


Shock & Anti-Roll Bar System

Leaf Spring Suspension - Individual Components



Leaf Springs



Panhard Bar System



Leaf-Spring Torque Arm



Leaf Spring Plates



VariShock Bolt-Ins



Anti-Roll Bar



Bushing and Shackle Sets



U-Bolt Sets

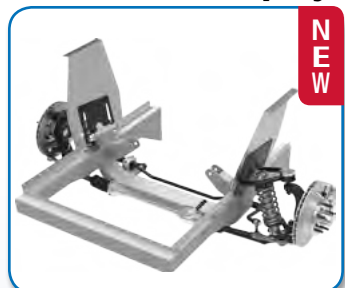


Leaf Spring Perches



Leaf Spring FAB9s

Front Frame Clip System (Weld-In)



Complete Front Clip System



Front Clip to Firewall



Front Clip with Subframe



Transmission Crossmember



VS - Value Street System



RM - Restomod System



GP - G-Machine Performance



UP - Ultimate Pro-Touring



DR - Drag Race System



Shock Tower Delete



Windsor/Cleveland Small Block



FE Big Block



Coyote, Modular



Windsor/Cleveland Adjustable

Direct-Fit Transmission Crossmember (Weld-In)



Transmission Crossmember



Late-Ford Transmission Adapter

Front Suspension - Complete Systems



Coil-Over Conversion



Coil-Spring Suspension



Air-Spring Suspension



Upper A-Arm Coil-Over



Upper A-Arm Air-Spring

Front Suspension - Individual Components



Coil-Spring Upper A-Arms



Coil-Over Upper A-Arms



Lower Control Arms



Strut Rods



Dropped Pivot Shafts



A-Arm Drill Jigs



Upper Balljoints



Replacement UCA Rod End



Eccentric Eliminators



Lower Balljoints



Tower Adapter Caps

Front Anti-Roll Bars and Components



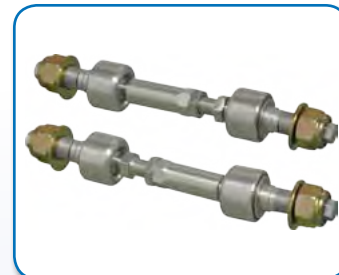
Shock and Swaybar Package



Anti-Roll Bar Kits

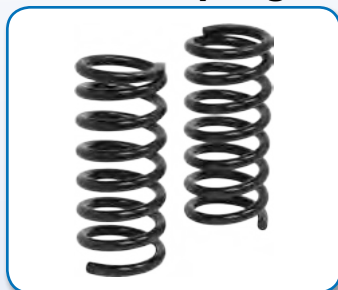


Billet ARB Mounts



Billet ARB Endlinks

Front Coil-Spring Suspension Components



Lowering Springs



VariShock Bolt-Ins

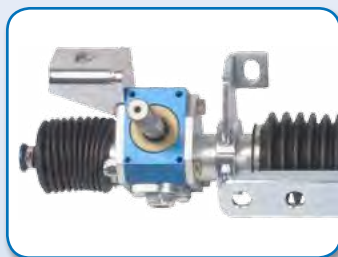


Spring Perches



Urethane Isolators

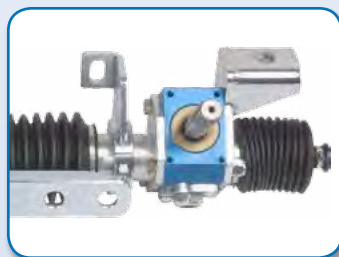
Manual Rack and Pinion Systems



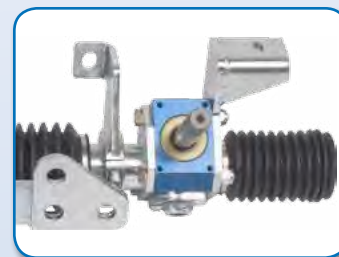
Small Block (LH Drive)



Big Block (LH Drive)



Small Block (RH Drive)



Big Block (RH Drive)

Power Rack and Pinion Systems



Small Block (LH Drive)



Big Block (LH Drive)



Small Block (RH Drive)



Big Block (RH Drive)

Rack and Pinion Components



Column Shaft Kits



Column Mounts



Steering Shaft Kits



Tilt Columns

Power Steering Pumps



Pro Pump Integral



Pro Pump Remote



Street Pump Integral



Street Pump Remote

Power Steering Plumbing



Stainless Hose Kits



Billet Remote Reservoir



Aluminum Remote Reservoir



Hose Bracket

Power Steering Pump Brackets



260, 289, 302



351W, 351C, 400M



390, 427, 428



Universal Blank

Spindles and Hardware



Forged Spindles



Spindle Hardware

Tie Rod and Bump Steer Sets



Tie-Rod Adjuster Sets



Bump-Steer/Tie-Rod Sets



Bump Steer Sets

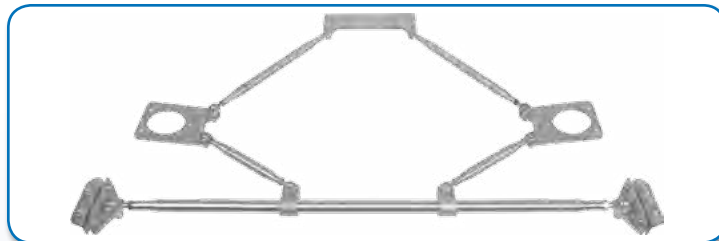
Chassis Stiffening - Complete Systems



Hardtop Subframe



Convertible Subframe

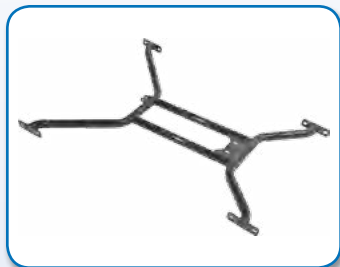


Shock Tower Brace

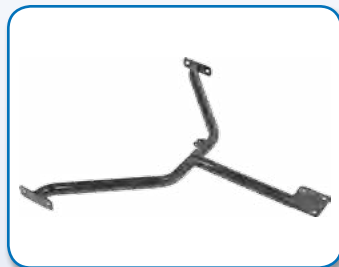
Chassis Stiffening - Individual Subframe Components



Subframe Connectors



Hardtop Support

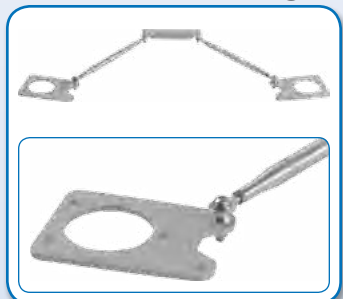


Convertible Support

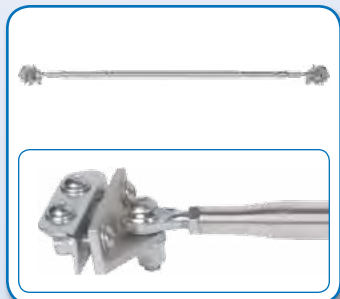


Driveshaft Loop

Chassis Stiffening - Individual Tower Brace Components



Export Brace



Monte Carlo Bar



Truss Brace



Misalignment Spacers

Billet Accessories



Hood Hinges



Hood Pins



Auto Pedal Covers



Manual Pedal Covers



Throttle Linkage Kits

Motor Mounts, OEM Style



Windsor/Cleveland Small Block



Big Block FE Motor Mounts

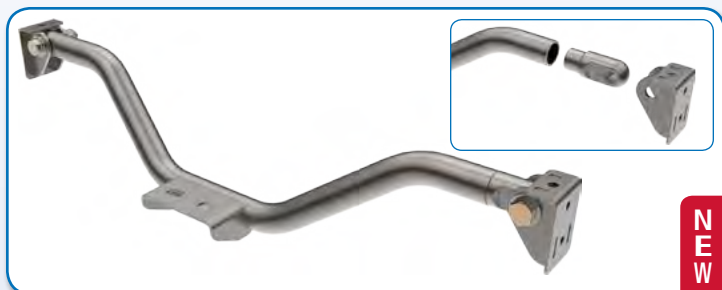


Windsor/Cleveland Adjustable



Motor Mount Bushings

Direct-Fit Transmission Crossmember (Weld-In)



Transmission Crossmember



Late-Ford Transmission Adapter

Rearend - Individual Components



ST Iron Package



HD Pro Aluminum



Pro-Iron Package



1350 Yoke U-Bolts



Street Axle Packages



Race Axle Packages



Wheel Studs



Wheel Bearings



Housing Ends



Housing End Studs

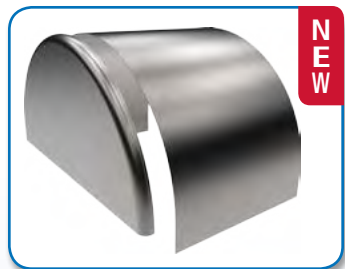


Pro-Touring Floater Axle



Brake Kit for Floater Axle

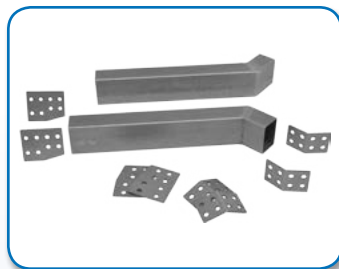
Wheel Tubs and Accessories



Builder Wheel Tubs



Mini Wheel Tubs



Narrowed Rail Kit



Spot Weld Bits

FAB9™ Rearend Housings



g-Bar FAB9 Housings



Leaf Spring FAB9s



Torque Arm FAB9s

Wilwood Rear Disc Parking Brake Kits



11" Rotor



12.19" Rotor



13" Rotor



14" Rotor

Complete Catalog



Total Control Products Catalog

Chassisworks Drag Race

Chassisworks has created one of the largest selections of U.S. manufactured Drag-Race

chassis products in the industry. With products covering the full range of Street/Strip, Pro Street, Drag Radial, Outlaw, and Pro Mod cars...

Chassisworks has it!



Look for items tagged **NEW** and **UPDATED** to see what we've been working on.

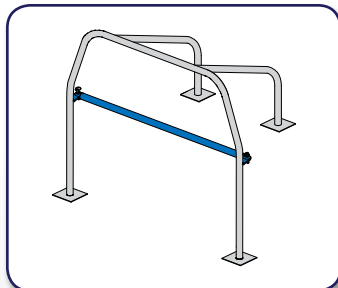
NEW

Drag Race Contents

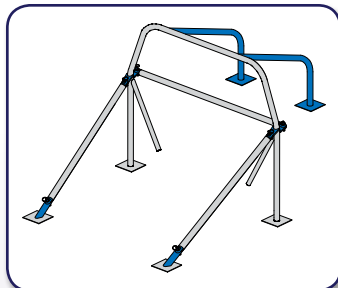
Roll Bars and Cages.....	53
Pro 4-Link Suspensions, Clips - Pro.....	54
Components, Rearend Housings, Wheelie Bars	54
Shocks, Anti-Roll Bars, Lateral Locaters.....	55
4-Link Suspension, Clips - Sportsman.....	56
Components, Rod End Sets	56
Rearend Housings, Shocks.....	56
Lateral Locaters, Anti-Roll Bars, Wheelie Bars	56
Ladder Bar Suspensions, Clips	59
Components, Rearend Housings	59
Crossmembers, Lateral Locaters, Wheelie Bars.....	59
Anti-Roll Bars, Shocks	59
Rearend Housings (Custom-Built FAB9).....	62
Rearend Narrowing Jig System	62
Third-Members, Axles, Housing Ends.....	63
Floater Axle Kits - Drag Race.....	63
Rear Disc Brake Kits	63
Sheet Metal and Tin Kits	64
Wheel Tubs, Floor Kits, Firewalls.....	64
Fabrication Tools.....	65
Motor and Transmission Plates and Mounts.....	65
Exhaust Header Kits and Components	66
Nitrous Bottle Racks.....	66
Driver's Area Accessories.....	66
Gauge Mounts	66
Switch Panels, Seats, Pedal Kits.....	67
Door and Window Components.....	68
Parachute System	68
Chassis Accessories	68
Tow Point, Front-End Mount, Battery Boxes	68
Steering Columns and Components	69
Column Kits, Shafts, Adapters, U-Joints	69
Rack and Pinions	70
Coil-Over Shock Packages and Components	70
Front A-Arm Clips (Weld-In).....	71
Clips, Frames, Suspension Components.....	71
Rack and Pinions, Spindles, Tie Rods	72
Brake Kits.....	72

Front Strut Clips (Custom-Fit, Weld-In).....	73
Integral Spindle Struts, Brake Kits	73
Rack and Pinions.....	73
Drag Race Chassis Kits	74
Front Strut Clips (Direct-Fit, Bolt-On)	75
Struts and Brake Kits.....	75
Rack and Pinion, Bump Steer Kit.....	75
Engine and Transmission Mounts.....	75
Front A-Arm Clips (Direct-Fit Bolt-On).....	76
'67-81 Camaro, '68-72 Nova, '62-67 Chevy II	76
Front Crossmembers and Clips (Custom-Fit, Weld-In) ...	77
Complete Frames (Custom-Fit, Weld-In)	77
Front Suspension (Direct-Fit, Bolt-On).....	78
Complete Systems, Components	78
Coil-Over Conversions.....	78
Transmission Crossmembers.....	79
Direct-Fit Motor Mounts.....	79
Catalog and Buyer's Guide	79
OEM 4-Link Coil-Over Suspensions.....	80
'64-72 Chevelle, '78-87 Monte Carlo, '79-04 Mustang... ..	80
OEM 4-Link Stock-Style Suspensions	80
'64-72 Chevelle, '78-87 Monte Carlo	80
Coil-Over Conversions	80
'64-72 Chevelle, '79-04 Mustang	80
Torque Arm Suspension Components	80
'82-02 Camaro	80
Rear Control Arms and Components (Direct-Fit).....	81
'64-72 Chevelle, '78-87 Monte Carlo, '79-04 Mustang... ..	81
FAB9 Rearend Housings (Direct-Fit)	81
Rear Disc Brake Kits	82
Rearend Components	82
Third-Members, Axles, Housing Ends, Girdles.....	82

Roll Bars - Complete Systems

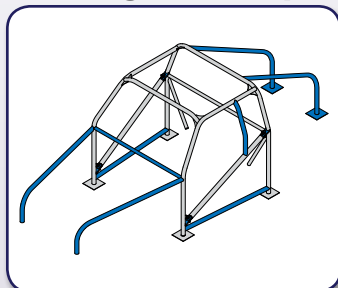


4-Point Roll Bar

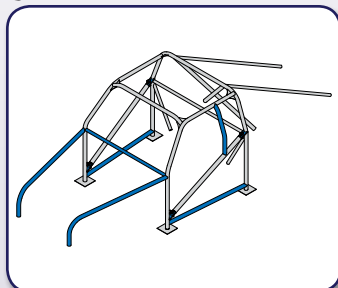


8-Point Roll Bar

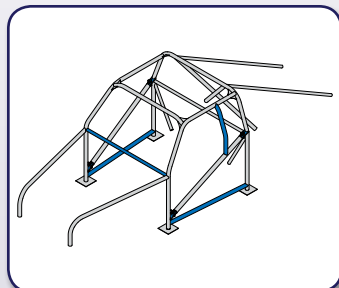
Roll Cages - Complete Systems



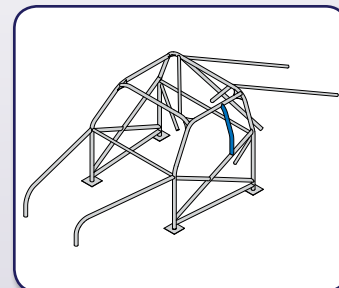
8-Point Roll Cage



10-Point Roll Cage



12-Point Roll Cage



14-Point Roll Cage

Roll Bars and Cages - Optional Components



Roll Cage Swing-Out Kit



Swing-Out Single Extension



Swing-Out Dual Extension



Removable Back-Brace Kit



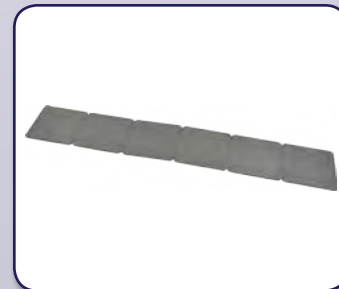
Roll-Bar Swing-Out with Tube



Roll Cage Gusset (8-Pack)



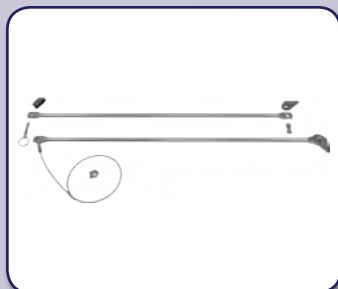
6x6 Floor Plates (4-Pack)



6x6 Floor Plates (6-Pack)



Subframe Connectors



Window-Net Mount

Chassisworks Drag Race

Weld-In Custom-Fit Pro 4-Link Suspensions - Complete Systems



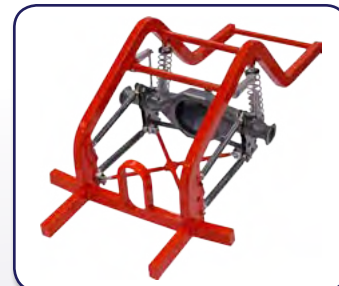
Pro Level 2 4130 (Rod End)



Pro Level 1 - Pro Street (Poly)



1-5/8" Pro Level 2



3x2" Pro Level 1

Pro 4-Links - Individual Components



Pro 4130 (Rod End)



Pro Scalloped (Rod End)

Rod End Sets Pro 4-Links - Individual Components



7/8"-Shank 4130 Body 1/2"-Bore



3/4"-Shank 4130 Body 1/2"-Bore

FAB9 Rearend Housings Pro 4-Links - Individual Components



FAB9 Floater Axle



FAB9 Flanged Axle

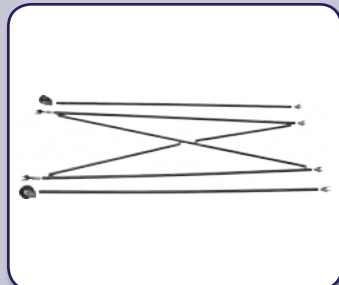
Wheelie Bars - Common to All Rear Suspension Systems



Spring Loaded Bars



Unsprung Bars



84" Wheelie Bars



Spring Conversion Kit

Chassisworks Drag Race

Shocks and Springs - Common to All Rear Suspension Systems



SensiSet Poly



QuickSet 1 Poly



QuickSet 2 Poly



80-300 lb/in



SensiSet COM-8



QuickSet 1 COM-8



QuickSet 2 COM-8

Shock Mounts Pro 4-Links - Individual Components



6-Degree Shock Mount



Offset Shock Mount



Bolts and Spacers

Anti-Roll Bars - Common to All Rear Suspension Systems



Splined Bar Chassis Mount



Splined Bar Axle Mount

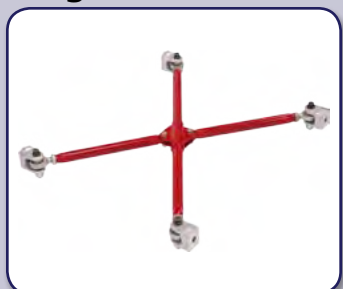


Through-Bolt Tubular ARB



ARB Endlink Tabs

Drag Race Locaters Pro 4-Links - Individual Components



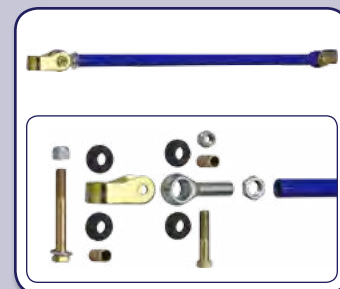
X-Style Locater



Wishbone Locater (Rod End)



Track Locater (Rod End)

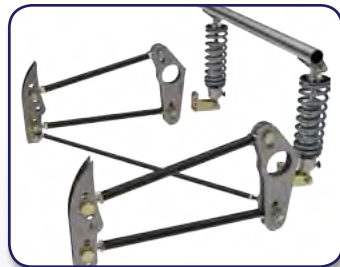


Poly Track Locater

Weld-In Custom-Fit Sportsman 4-Link Suspensions - Complete Systems



Crossmember Mounted



Chassis Mounted

Weld-In Custom-Fit Sportsman 4-Link Clips- Complete Systems



3x2" Boxed or 1-5/8" Round



3x2" Truck Low Profile



4x2" Boxed

Crossmember Mounted Sportsman 4-Links - Individual Components



Drag Race (Rod End)



Pro Street (Poly)

Chassis Mounted Sportsman 4-Links - Individual Components



Drag Race (Rod End)



Pro Street (Poly)



Billet (Pivot-Ball)

Sportsman 4-Link Rod Ends (Sets of 8) - Individual Components



4130 3/4-Bore x 3/4"



Mild Steel 3/4-Bore x 3/4"



Mild Steel 3/4 x 3/4" Teflon®



4130 and Mild Steel

Chassisworks Drag Race

FAB9™ Rearend Housings Sportsman 4-Links - Individual Components



FAB9 Sportsman 4-Link



Shocks and Springs - Common to All Rear Suspension Systems



SensiSet Poly



QuickSet 1 Poly



QuickSet 2 Poly



SensiSet COM-8



QuickSet 1 COM-8



QuickSet 2 COM-8



80-300 lb/in



Rear Coil Spring Set



Bolts and Spacers

Shock Mounts - Common to All Rear Suspension Systems



Upper Shock Crossmember



Axle Tube Mount



Axle with Back Brace Mount



Suspension Bracket Mount

Drag Race Locaters Sportsman 4-Links - Individual Components

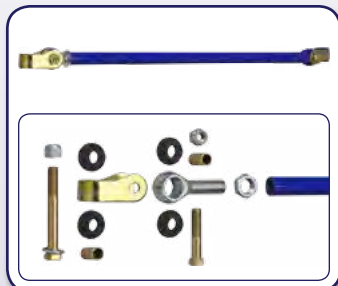


Wishbone Locater (Rod End)

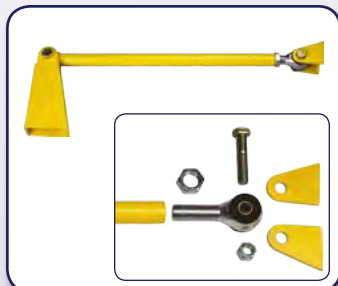


Track Locater (Rod End)

Pro Street Locaters Sportsman 4-Links - Individual Components



Poly Track Locater



Poly Panhard Bar



Double-Adjustable Panhard

Anti-Roll Bars - Common to All Rear Suspension Systems



Splined Bar Chassis Mount



Splined Bar Axle



Through Bolt Tubular ARB



Splined-Arm ARB

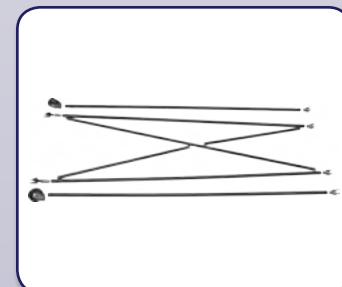
Wheelie Bars - Common to All Rear Suspension Systems



Spring Loaded Bars



Unsprung Bars



84" Wheelie Bars



Spring Conversion Kit



Wheelie Bar Axle Brackets

Weld-In Custom-Fit Ladder Bar Suspensions and Clips - Complete Systems



Leaf Spring 1-5/8"



Leaf Spring 3x2"



Coil-Over 1-5/8"



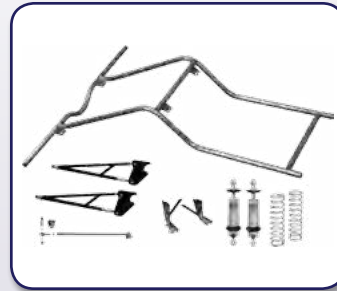
Coil-Over 3x2"



Pro Ladder Bar Coil-Over



Ladder Bar Clip 3x2"

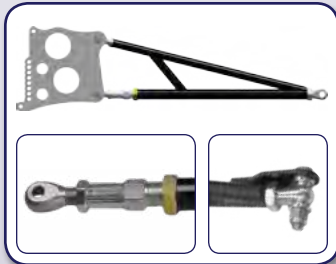


Ladder Bar Clip 1-5/8"

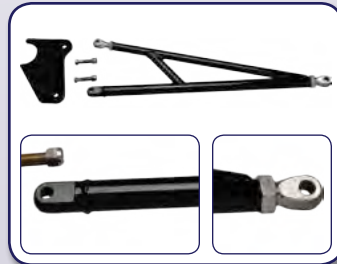


Ladder Bar Clip 4x2"

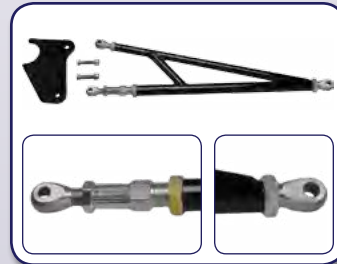
Ladder Bars - Individual Components



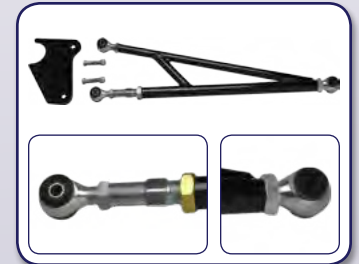
Pro Ladder Bar



Sportsman Ladder Bar



Adjustable Sportsman



Adjustable Pro Street (Poly)

Ladder Bars - Individual Components



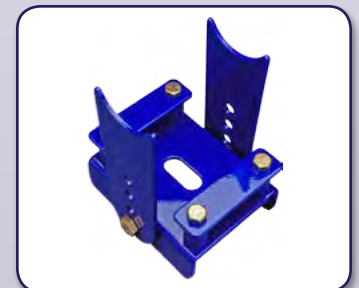
Single Safety Strap



Dual Safety Straps



Zero-Bind Mount Hardware



Leaf Spring Floater

FAB9™ Rearend Housings for Ladder Bars - Individual Components

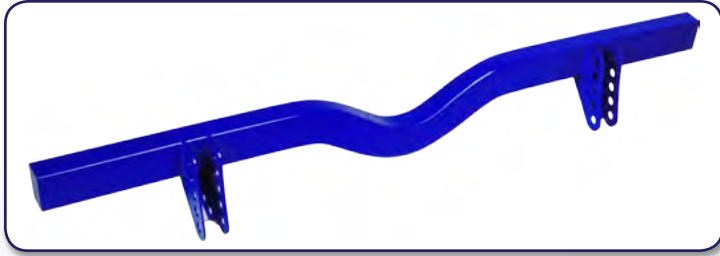


Pro Ladder Bar FAB9



Sportsman Ladder Bar FAB9

Ladder Bar Crossmembers - Individual Components

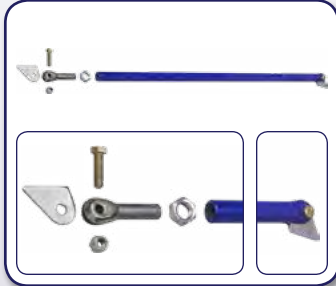


3x2" Boxed

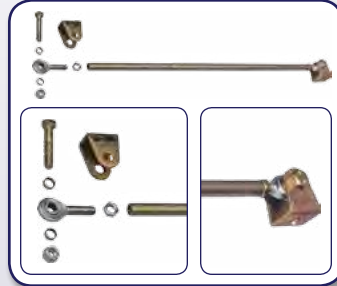


1-5/8" Round

Drag Race Locaters Sportsman Ladder Bars - Individual Components



Weld-On Track Locator



Track Locator (Rod End)

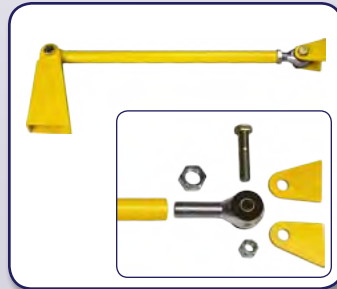


Pro X-Locator

Pro Street Locaters Sportsman Ladder Bars - Individual Components



Poly Track Locator



Poly Panhard Bar



Double-Adjustable Panhard

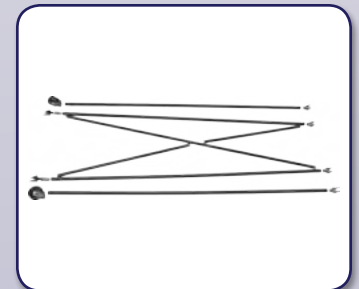
Wheelie Bars - Common to All Rear Suspension Systems



Spring Loaded Bars



Unsprung Bars



84" Wheelie Bars



Spring Conversion Kit



Wheelie Bar Axle Brackets

Anti-Roll Bars - Common to All Rear Suspension Systems



Splined Bar Chassis Mount



Splined Bar Axle



Through Bolt Tubular ARB



ARB Endlink Tabs

Shocks and Springs - Common to All Rear Suspension Systems



SensiSet Poly



QuickSet 1 Poly



QuickSet 2 Poly



80-300 lb/in



SensiSet COM-8



QuickSet 1 COM-8



QuickSet 2 COM-8



Rear Coil Spring Set

Shock Mounts Pro Ladder Bar - Individual Components



6-Degree Shock Mount



Offset Shock Mount



Bolts and Spacers

Shock Mounts - Common to All Rear Suspension Systems



Upper Shock Crossmember



Axle Shock Mount



Axle with Back Brace Mount



Suspension Bracket Mount

Chassisworks Drag Race

Drag Race FAB9 Rearend Housings



Unassembled FAB9



No Brackets FAB9



Leaf Spring FAB9



Sportsman Ladder Bar FAB9



Pro Ladder Bar FAB9



Sportsman 4-Link FAB9



Pro 4-Link FAB9



Pro 4-Link FAB9 Floater

Rearend Narrowing Jig System



Ford 9" Narrowing Jig



Ford 9" Faceplate Adapter



Rearend Narrowing Jig



Floater Spindle Adapter



Pinion Center-Line Gauge



Rearend - Individual Components



ST Iron Package



HD Pro Aluminum



Pro-Iron Package



Ultra Case Package



Street Axle Packages



Race Axle Packages



Wheel Studs



Housing Ends



Wheel Bearings



Housing End Studs



1350 Yoke U-Bolts

Drag Race Floater Kits



Drag Race Floater



Floater Axle



Rear Disc Brake Kits



Drag 11.44" Rotor



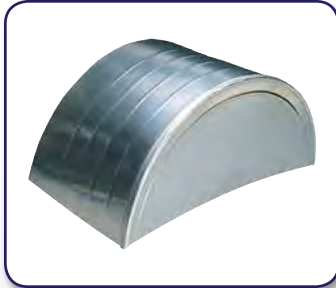
Drag Dual Caliper



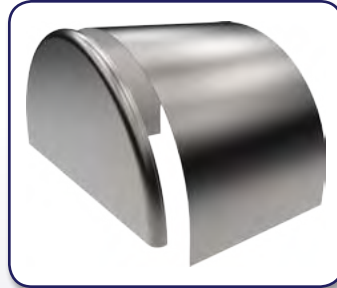
12.19" Rotor Parking Brake

Chassisworks Drag Race

Sheet Metal and Tin Kits



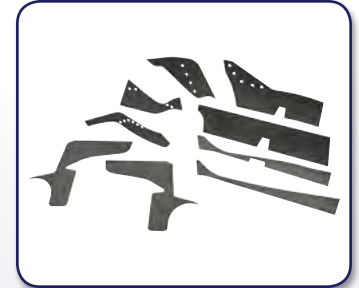
Wheel Tubs



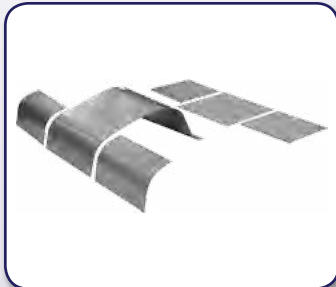
Builder Wheel Tubs



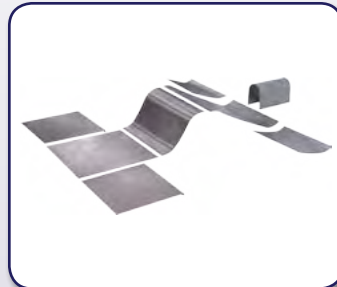
Mini Wheel Tubs



Mini Tub Frame Closeouts



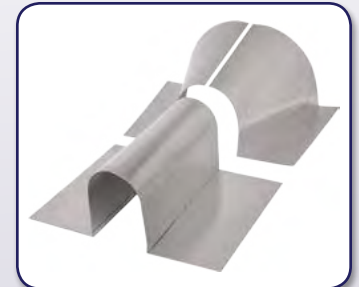
4-Link Floor Kits



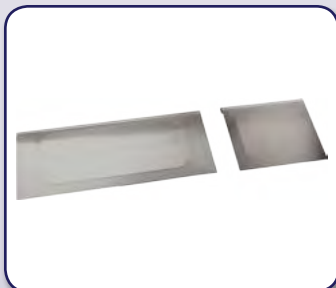
Ladder Bar Floor Kits



Front Firewall



Transmission Tunnel



Door and Quarter Panels



Floor Panels



Rear Firewall



Driveshaft Tunnels



Fuel Tank Sump Cover



Rear Spoiler



Spoiler Flap Adjuster



Dashboard



Access Door 6x6"



Access Door 8x12"



Dzus Key and Fasteners

Fabrication Tools



Tubing Notcher



Wheel Tub Contour Tracer



Spot Weld Removal Bits



Clevos and Pliers

Motor and Transmission Plates and Mounts - Individual Components



Aluminum Motor Plates



Profiled Motor Plates



Aluminum Mid Plates



Steel Mid Plates



Motor Plate Brackets



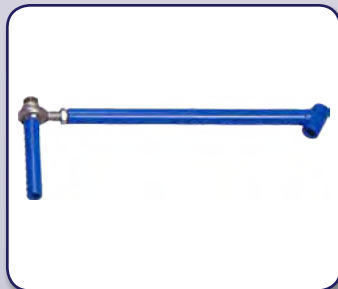
Motor/Mid Plate Brackets



Big-Block Adapters



LS A/C Motor Plate Adapters



Torque Limiter



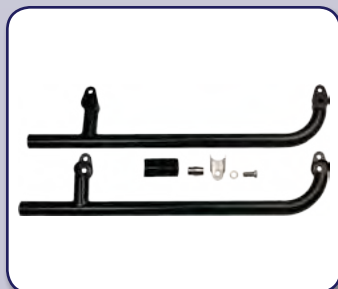
Removable Driveshaft Loop



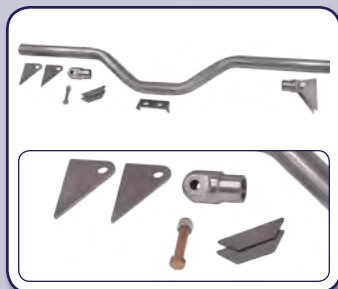
Round-Tube Driveshaft Loop



Shifter Platform



Lenco Mounting Rails



Transmission Crossmembers

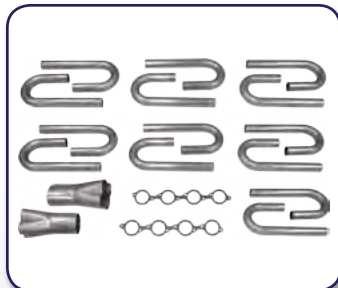


Removable SFI Crossmember



Transmission Mount

Header Kits and Individual Components



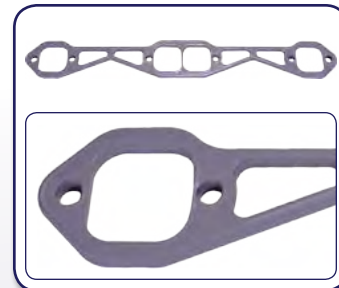
Header Kit



J-Bends (1-1/2 to 3")



Collectors (2-1/2 to 5")



Header Flanges

Nitrous Bottle Racks and Accessories



Stand-Up Bolt-In



Angle Mount Bolts to Floor



Lay-Down Bolt-In



Angle Mount Weld-In



2-Bottle Trailer Rack



4-Bottle Trailer Rack



Bottle Handle



Bottle Wrench

Gauge Mounts



5-1/4" with Quad 2-5/8"



5-1/4" with Triple 2-5/8"



5-1/4" with Dual 2-5/8"



Quad 2-5/8



Triple 2-5/8"



Dual 2-5/8"

Switch Panels and Individual Components



Switch Panels



Starter Button



Toggle Switch

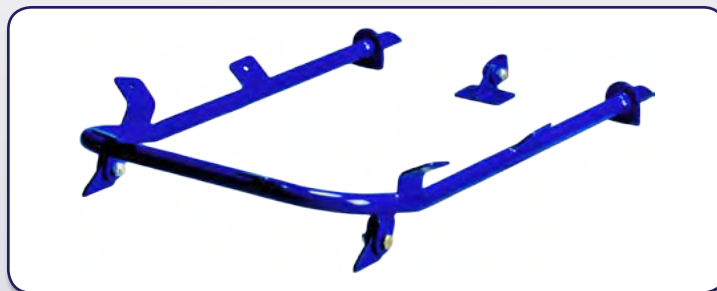


Disconnect Switch

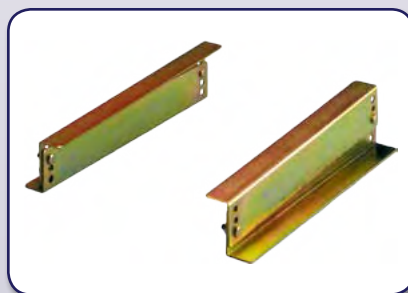
Seats and Individual Components



Aluminum Seat



Seat Mount (Tube Style)



Seat Mounts (Stock Floor)



Seat Belt Bosses

Pedal Kit and Components



Gas Pedal (bare)



Brake Pedal (bare)



Brake and Clutch Pedals



Master Cylinder



Master Cylinder Mount

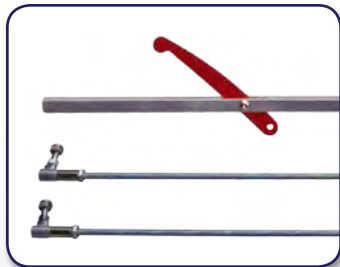


Brake Line Kit

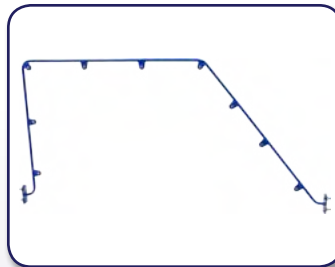
Door and Window - Individual Components



Quick Release Door Hinges



Inner Door Handle Kit



Side Window Frames



Window Install Kit

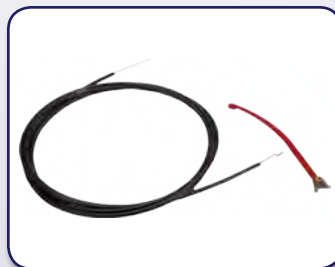
Parachute Mount - Individual Components



Parachute Pack Mount

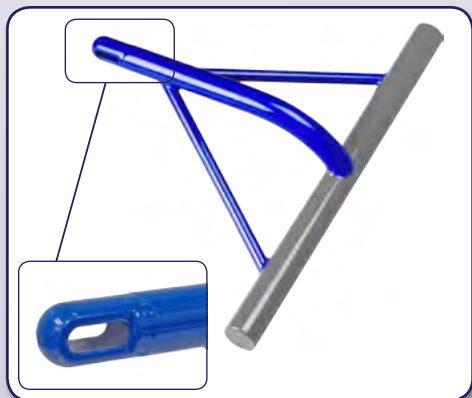


Parachute Strap Spool



Parachute Release

Chassis Accessories - Individual Components



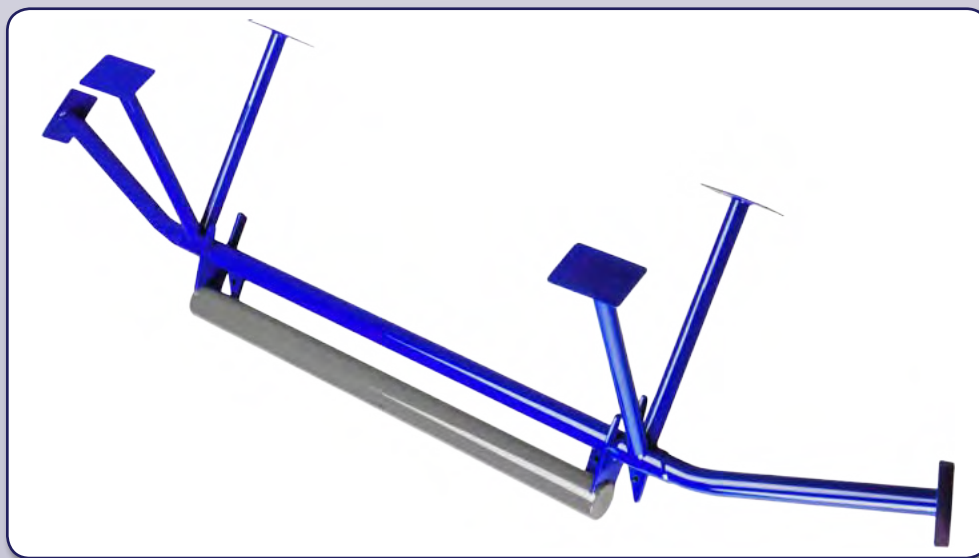
Tow Point



Battery Boxes



Fuel Cell Strap Chassis Mounts



Fiberglass Front-End Mount

Drag Race Steering Columns - Complete Systems



Stainless Drag Race Column



Drag Race Steering Column

Drag Race Steering Columns - Individual Components



Quick Release Steering Hubs



Column Tube Adapter



Steering Wheel Flange



Steering Shaft Support



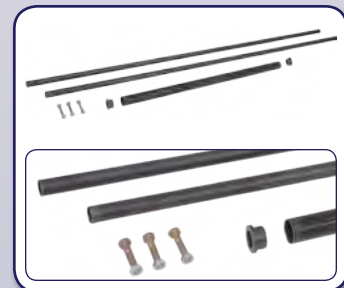
Female Coupler



Male Coupler



3/4\"/>



Drag Race Column Tube Set

Steering Universal Joints



Mil-Spec U-Joint



Pin and Block U-Joint



Aluminum U-Joint



Steel U-Joint

Rack and Pinion - Individual Components



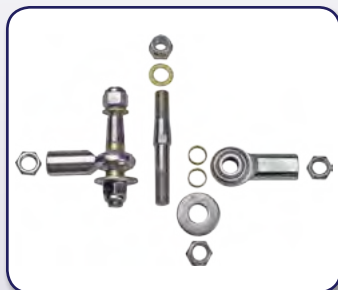
Pinto Rack and Pinion



Mustang II Rack and Pinion



Bump-Steer Tie Rods



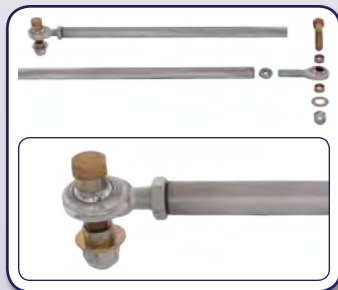
Pinto to Mustang II Spindle



Weld-In Tie Rod Adapters



Mustang II Tie Rods



Pinto Rack Tie Rod Sets



Pro-Box Strut Tie Rod Set



Pinto Rack Clamp



Mustang II Rack Mount Set

Coil-Over Shock Packages and Components



Coil-Over Shock Package



Coil Spring Shock Set



Upper Shock Crossmember



Axle Tube Mount



Axle with Back Brace Mount



Suspension Bracket Mount

Drag Race A-Arm Clips and Suspension System - Complete Systems

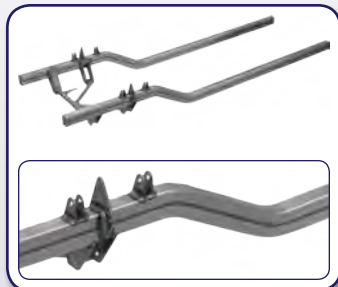


Drag Race A-Arm Suspension

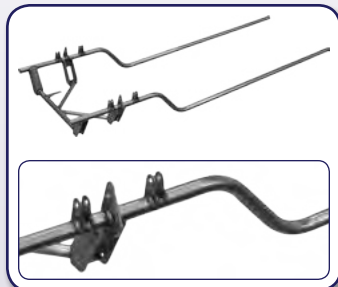


Drag Race A-Arm Clip System

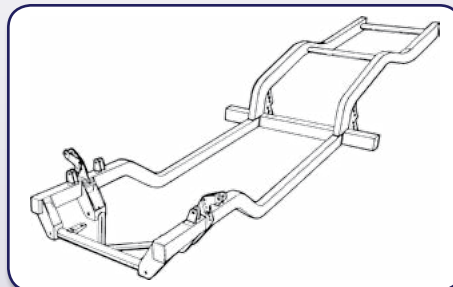
Drag Race A-Arm Clips and Frames - Individual Components



3x2" A-Arm Clip



1-5/8" A-Arm Clip



A-Arm Full Frame

Drag Race A-Arm Suspension - Individual Components



Upper A-Arm



Lower A-Arm



Screw-In Balljoints



Travel Limiter



A-Arm Weld Fixture



Chassis Shock Mounts

Shocks and Springs Drag Race A-Arm Suspension - Individual Components



Coil-Over Shocks

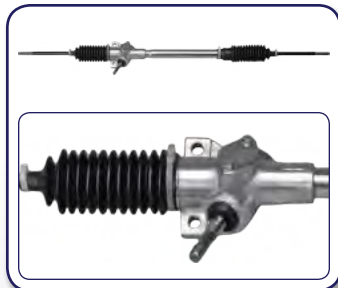


400-650 lb/in



Front Coil Spring Set

Rack and Pinions Drag Race A-Arm Suspension - Individual Components



Pinto Rack and Pinion



Mustang II Rack and Pinion

Spindles and Tie Rods Drag Race A-Arm System - Individual Components



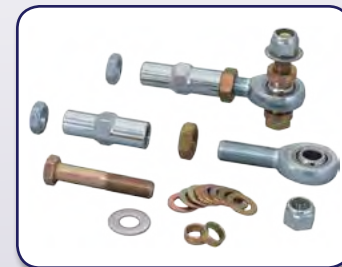
Mustang II Spindles



Fabricated Drag Race Spindles



Tie Rod Sets



Bump Steer Tie Rods

Brakes Drag Race A-Arm Suspension - Individual Components



10" Slotted Rotor



11-3/4" Slotted Rotor



11-3/4" Vented Rotor



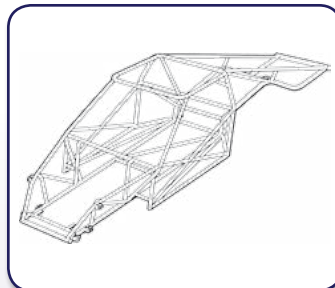
Drag Race Strut Clips and Suspension System - Complete Systems



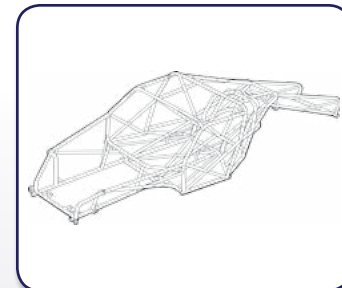
3x2" Strut Front Clip



1-5/8" Strut Front Clip



Eliminator I/II Strut Chassis



Avenger Strut Chassis

Drag Race Integral Spindle Struts - Complete Systems



Stem Mount Strut



Eye Mount Strut



Piggyback High-Rebound Strut

Drag Race Strut Mounts - Individual Components



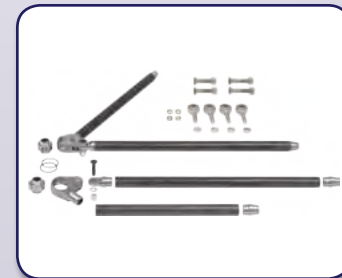
Stem Bushing Mount



Stem COM Mount



Adjustable COM Mount



Lower A-Arm Strut Mount

Brakes for Drag Race Strut Suspension System



10" Spindle Mount



10" Light Duty



11-3/4" Medium Duty

Rack and Pinions for Drag Race Strut Clips - Individual Components

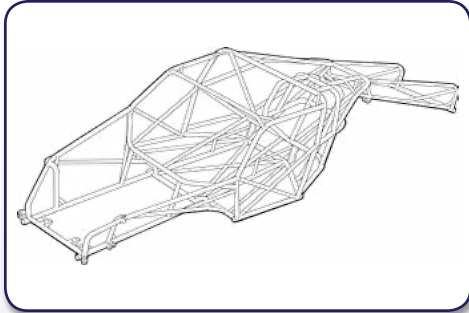


Pinto Rack and Pinion

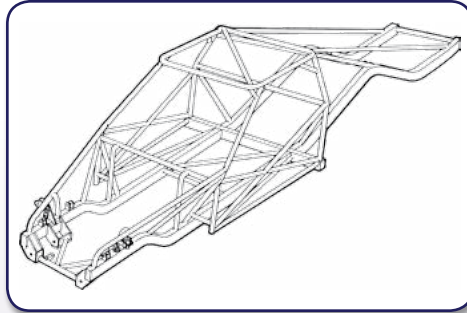


Mustang II Rack and Pinion

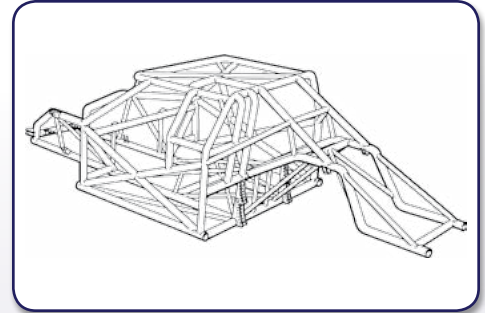
Drag Race Chassis Kits



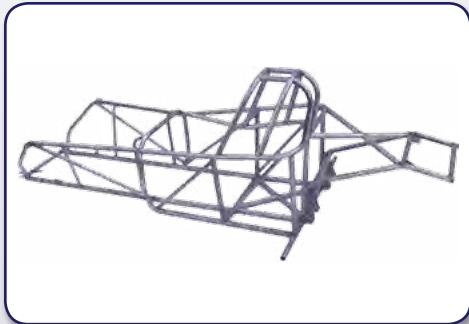
Avenger



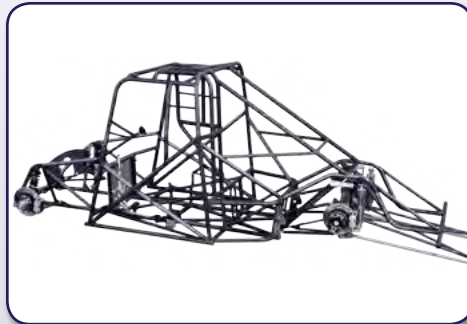
Eliminator A-Arm



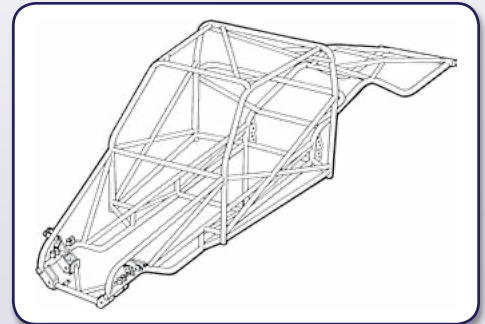
Eliminator II Strut



Roadster



Truck



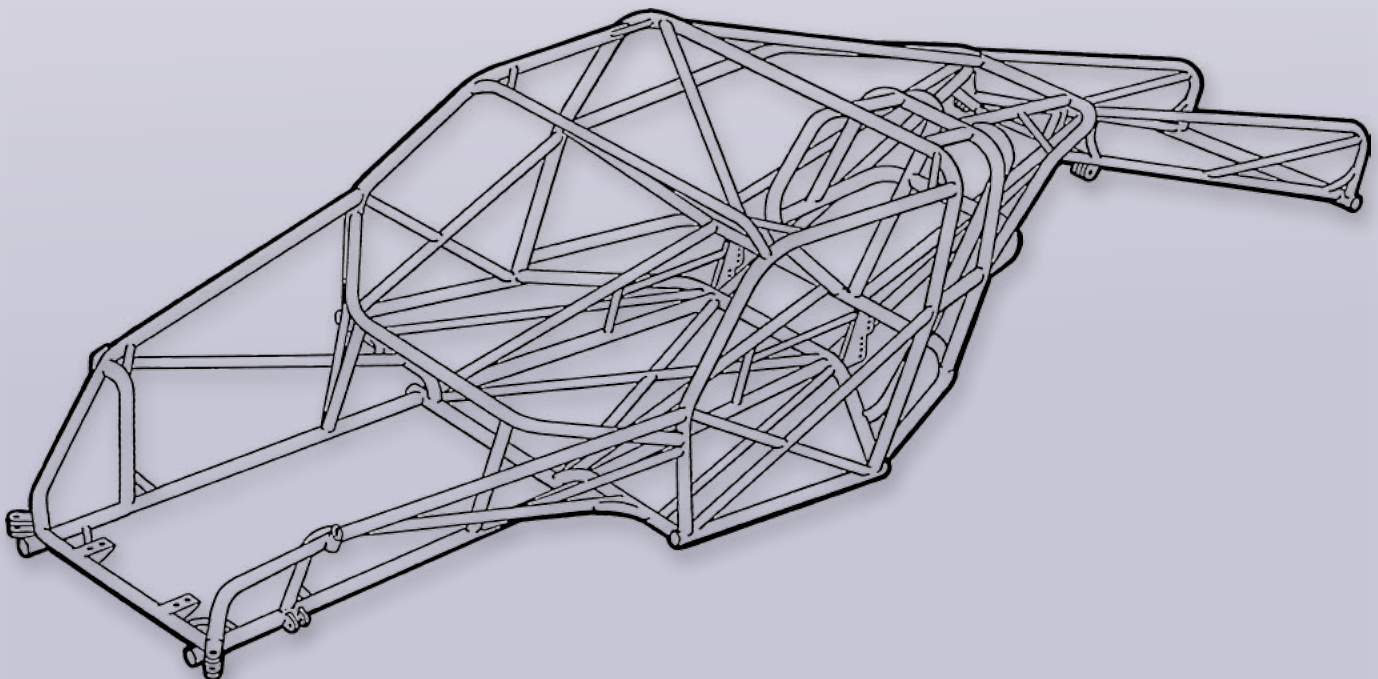
Nostalgia A-Arm

Front Suspensions for Chassis Kits

A-Arm, shock, strut, spindle, and rack & pinion individual component images are listed on pages 71-73.

Rear Suspensions for Chassis Kits

4-link, ladder bar, locator, anti-roll bar, and rearend housing individual component images are listed on pages 54-62 located at the beginning of the Chassisworks Drag Race section.



Bolt-On Strut Clips - Complete Systems



'62-67 Chevy II / Nova



'67-69 Camaro (F-Body)

Strut and Brakes - Common to Bolt-On Systems



6" Travel Double-Adj. Strut



Piggyback High-Rebound Strut



10" Spindle Mount



10" Light Duty



11-3/4" Medium Duty

Steering Components - Common to Bolt-On Systems



Billet Manual Rack



Billet Rack Mounts



Bump Steer Kit

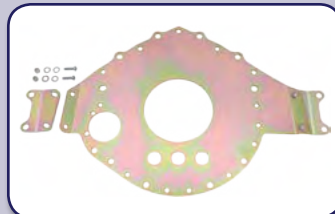
Engine and Transmission Mounts - Common to Bolt-On Systems



Profiled Motor Plates



Big-Block Adapters



Mid Plates



SFI Transmission Crossmember

Chassisworks Drag Race

Front Bolt-On A-Arm Clips - Complete Systems



'67-69 Camaro (F-Body)



'70-81 Camaro (F-Body)



'62-67 Chevy II / Nova



'68-72 Nova (X-Body)

Clip Year Specific Components - '67-81 Camaro (F-Body), '68-72 Nova (X-Body)



Transmission Crossmembers



Splash Flaps



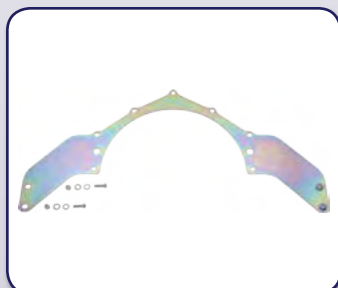
Billet Body Bushings



Steering Shaft Kits



Motor Plates



Mid Plates



Clutch Cross Shaft Bracket



Subframe Alignment Pin

Clip Year Specific Components - '62-67 Chevy II / Nova



Inner Fender Panels



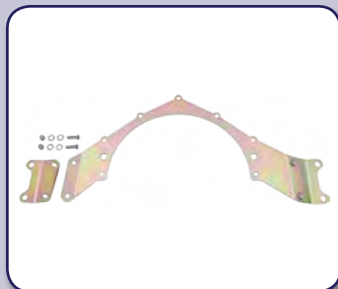
Hinge Mount Supports



Steering Shaft Kits



Motor Plates



Mid Plates



Column Support

Pro Street Weld-In Custom-Fit Crossmembers and Clips - Complete Systems

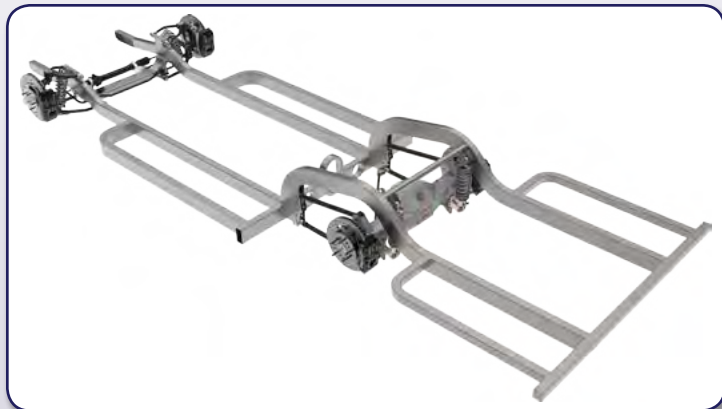


4x2" A-Arm Crossmember

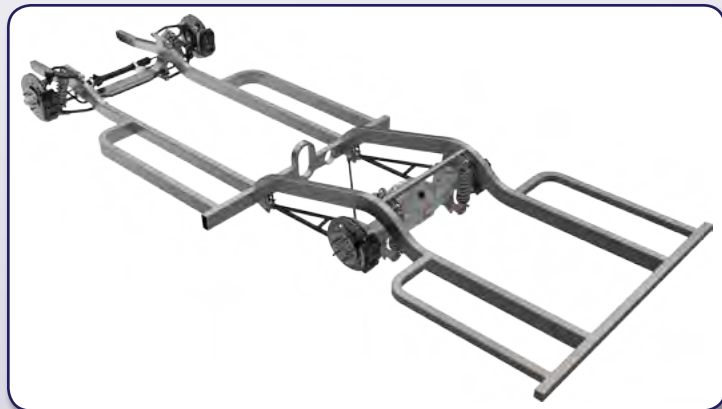


4x2" A-Arm Front Clip

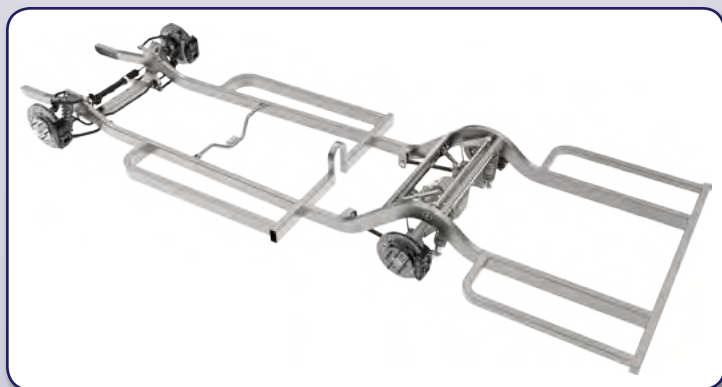
Pro Street Weld-In Custom-Fit Full Frames - Complete Systems



4x2" A-Arm Battle Cruiser 4-Link Full Frame



4x2" A-Arm Ladder Bar Full Frame



4x2" A-Arm Canted 4-Bar Full Frame

Front Suspensions for A-Arm Crossmembers, Clips and Full Frames

A-Arm, shock, spindle, rack and pinion, and anti-roll bar individual component images are listed on pages 9-10. **Common To Bolt-On and Weld-On Systems** located at the beginning of the Chassisworks Custom-Fit section.

Rear Suspensions for A-Arm Crossmembers, Clips and Full Frames

4-link, ladder bar, locater, anti-roll bar, and rearend housing individual component images are listed on pages 54-62 located at the beginning of the Chassisworks Drag Race section.

Front Suspension (Bolt-On) - Complete Systems



Coil-Over Suspension



Coil-Spring Suspension

Front Suspension (Bolt-On) Coil-Over Conversions



Chassisworks Drag Race

Transmission Crossmembers and Individual Components



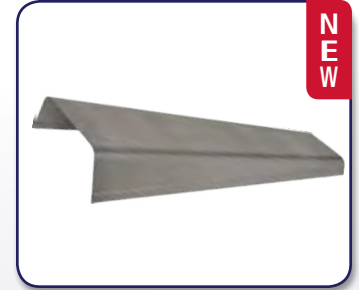
'67-69 Camaro



'70-81 Camaro



Poly Transmission Mount



Raised Trans Tunnel Cap

NEW

Direct-Fit Aluminum and Steel Motor Mounts - A-, F-, and X-Bodies



BB/SB Chevy & Pontiac V8

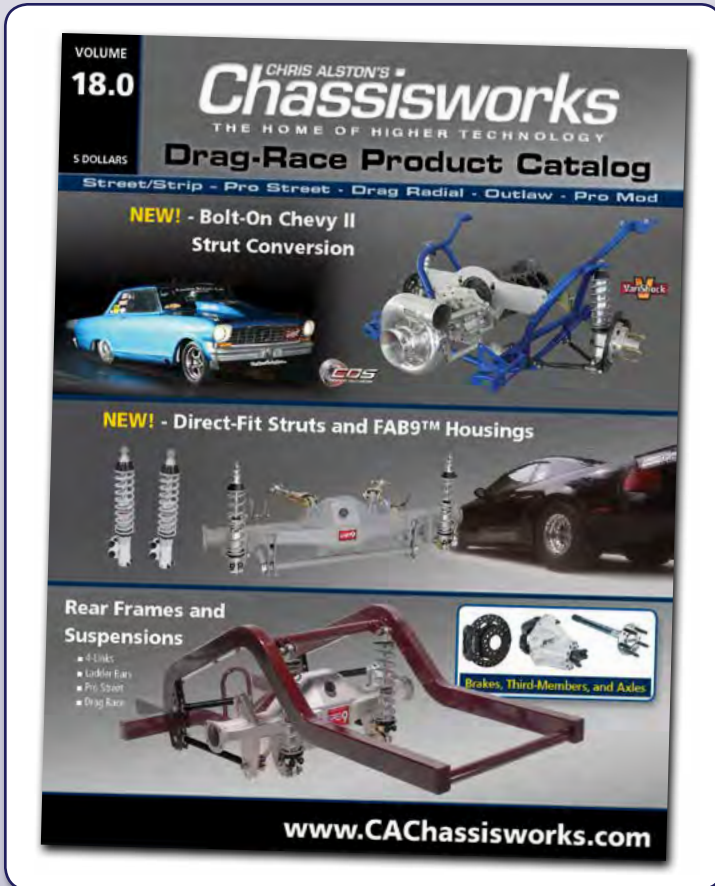


LS-Series

NEW

NEW

Complete Catalog and Buyer's Guide

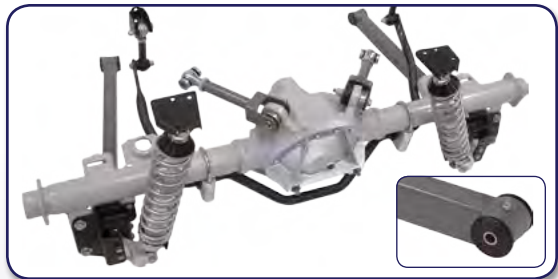


Drag Race Product Catalog



'79-04 Mustang Buyer's Guide

A-Body 4-Link Coil-Over Systems - '64-72 Chevelle (A-Body)



g-Bar (Poly) Coil-Over



Billet g-Bar (Poly) Coil-Over

Power-Link Systems - '64-72 Chevelle (A-Body), '78-87 Monte Carlo (G-Body), '79-04 Mustang



OEM Style (A-, G-Body)



Coil-Over (A-Body)



Coil-Over (Mustang)

A- and G-Body 4-Link Smooth-Body Shock Systems - '64-72 Chevelle, '78-87 Monte Carlo



g-Bar (Poly)



Billet g-Bar (Poly)

Coil-Over Conversions - '64-72 Chevelle (A-Body), '79-04 Mustang



Bolt-On Coil-Over (A-Body)



Weld-In Coil-Over (A-Body)



Coil-Over (Mustang)

Torque Arm - '82-02 Camaro (F-Body)



Torque Arm



Torque Arm Crossmember



PRO Torque Arm Axle Mount



OEM Torque Arm Axle Mount

Torque Arm - '82-02 Camaro (F-Body)



PRO Panhard Bar



'82-92 Torque Arm FAB9



'93-02 Torque Arm FAB9

Rear Poly Control Arms - '64-72 A-Body, '78-87 G-Body, '82-02 F-Body



g-Bar (Poly) Upper



g-Bar (Poly) Lower



Billet g-Bar (Poly) Lower

Rear Rod-End Control Arms - '64-72 A-Body, '78-87 G-Body, '79-04 Mustang, '82-02 F-Body



Competition Moly Upper



Competition Moly Lower



Pro Power Upper



Pro Power Lower

Rear Control Arm - Individual Components - '64-72 A-Body, '78-87 G-Body



Control Arm Bushings



UCA Housing Bushings



UCA Housing Bearings



Control Arm Brace

Direct-Fit FAB9™ Rearend Housings



Leaf Spring



OE 4-Link Poly



OE 4-Link ARB Poly



OE 4-Link ARB COM-8

Wilwood Rear Disc Brake Kits



Drag 11.44" Rotor



Drag Dual Caliper



12.19" Rotor Parking Brake

Rearend - Individual Components



ST Iron Package



HD Pro Aluminum



Pro-Iron Package



Ultra Case Package



Street Axle Packages



Race Axle Packages



Wheel Studs



Housing Ends



Wheel Bearings



Housing End Studs



1350 Yoke U-Bolts



BIG Savings On Complete Systems

**SEE IT,
BUY IT -
ONLINE!**

Professional Grade Bolt-On Strut Clips

We continue to raise the bar with our extremely lightweight direct bolt-on drag race strut suspension systems for '62-67 Chevy IIs, '67-69 Camaros and '68-72 Novas. Clips are factory-welded 1-5/8" 4130 tubing, with mount options for small-block, big-block, and LS-series engines.

See the Data Sheet and Complete Options in the E-Store!

**New!
Camaro,
Nova
\$6495-up
Introductory
Price!**



Frame Clips and More...

Purchase front or rear clips or complete frames in boxed- or round-rail configurations. Available as unassembled kit or factory welded.



Cages, Roll Bars and Accessories

Available for any car or truck to meet rule requirements.

- Model Specific
- Custom Cages
- Swingout Sets
- Upgrade Kits



Suspension Systems and Components

Choose from a broad range of 4-link and ladder bar systems for street/strip to professional levels of performance.



Browse our E-Store for Thousands of Products



FREE
Catalogs, Data Sheets and Tech Guides...
Click Today!

Don't See It Here?
Click on the Web to see more components for your project plus detailed info and pricing.

KP Components' innovative engineering approach take Sport Truck suspension to a whole new realm. Accurate fit, exceptional performance and first-class appearance make our unique product solutions the perfect choice for unleashing your truck's full potential and looking good while doing it.

KP COMPONENTS INNOVATIVE TRUCK SUSPENSIONS

Look for items tagged **NEW** and **UPDATED** to see what we've been working on.

NEW

✓ New Product Additions

Front Dropmember System - Bolt-On
(Coil-Over and Air Bag)

Short-Bed Rear Frame Clips - Weld-In
(Coil-Over and Air-Spring)

Rear Trailing Am Suspensions - Bolt-On
(Coil-Over, Air-Spring, and Air Bag)

Rear Parallel 4-Link Suspensions - Bolt-On
(Coil-Over, Air-Spring, and Air Bag)



KP Components Contents

Front Suspension - Complete Systems	85
Front Suspension - Components.....	85
A-Arms, Air-Bag Mounts, Shock Relocaters, Anti-Roll Bars, Spindles	85
Shock Absorbers	85
Air-Springs, Coil-Overs, Bolt-Ins, Steel-Bodies	85
4-Link Rear Frame Clip Systems	86
Thru-Bed Frame - Coil-Over, Air-Spring	86
Under-Bed Frame - Coil-Over, Air-Spring	86
Rear Suspension (Bolt-On) - Complete Systems.....	86
Trailing Arm Suspensions	86
Parallel 4-Links.....	86
Cantilever 4-Links	87
Rear Suspension (Bolt-On) - Individual Components	87
Watts Links, Panhard Bars, Step Notches (Bolt-On), Drop Links, Bushings, Sleeves	87
Chassis Components.....	87
Step Notch (Weld-In), U-Bends, Exhaust Cutouts, Driveshaft Loops, Battery Boxes, Sheet-Metal Tin Kits.....	87
Rear Suspension (Weld-In) - Complete Systems.....	88
Parallel 4-Link, Triangulated 4-Link, 4-Link Frame System	88
Rear Suspension (Weld-In) - Individual Components	88
Panhard Bar, Air-Bag Mounts, Shock Mounts	88
Disc Brake and Spindle Packages	88
Air Management.....	89
Controllers	89
Compressor Systems and Components	89
Air Tanks and Mounts	89
Gauges.....	89
Tube Fittings and Line	90
Brass Fittings.....	90
Switches and Relays.....	91
Valves and Components.....	91
Catalog	91



Front Suspension - Complete Systems



Dropmember System



LayArm Air-Bag



LayArm Air-Spring

Front Suspension - Individual Components



Lower Air-Spring Arms



Lower Air-Bag Arms



Stainless Lower Arm Clamps



Upper A-Arms



Air Bags



Air-Bag Mounts



Bolt-In Shock Relocaters



Weld-In Shock Relocaters



Anti-Roll Bars



Dropped ARB Brackets



Dropped Spindles

Shock Absorbers



Air-Spring Shock



Coil-Over Shock



Bolt-In Replacement



Steel Bodied Shock

4-Link Rear Frame Clip Systems



Thru-Bed Coil-Over Rear Frame Clip System



Thru-Bed Air-Spring Rear Frame Clip System



Under-Bed Coil-Over Rear Frame Clip System



Under-Bed Air-Spring Rear Frame Clip System

Trailing Arm Rear Suspensions



Coil-Over Trailing Arm Suspension



Air-Spring Trailing Arm Suspension



Air-Bag Trailing Arm Suspension

Parallel 4-Link Rear Suspensions (Bolt-On) - Complete Systems



Coil-Over 4-Link Suspension

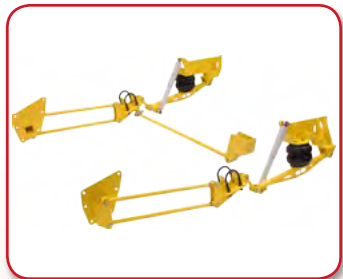


Air-Spring 4-Link Suspension



Air-Bag 4-Link Suspension

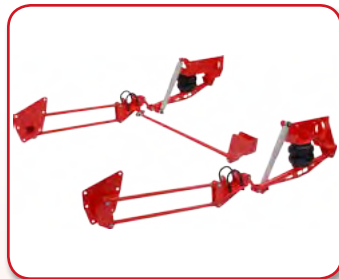
Cantilever 4-Link Rear Suspensions (Bolt-On) - Complete Systems



Chevy C-Series Systems



Chevy S-10 System



Ford F-150 System



Ford Ranger System

Rear Suspension (Bolt-On) - Individual Components



Watt's Links



Panhard Bars



Bolt-On Step Notch



Canteliver Drop Links



Replacement Bushings



Bushing Sleeves

Chassis Components



Weld-In Step Notch



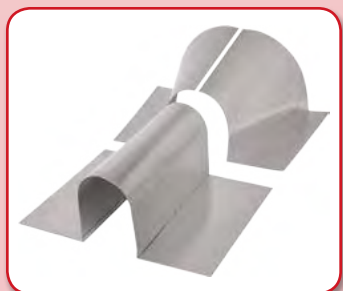
U-Bends



Exhaust Cutouts



Driveshaft Loops



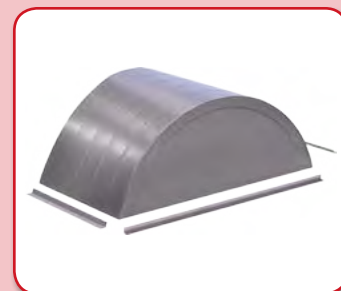
Transmission Tunnel



Battery Boxes

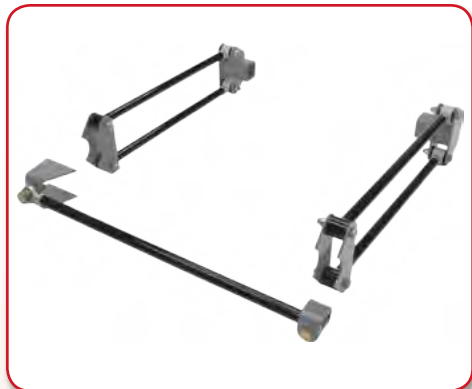


Driveshaft Tunnel



Wheel Tubs

Rear Suspension (Weld-In) - Complete Systems



Parallel 4-Link



Triangulated 4-Link



4-Link Frame System

Rear Suspension (Weld-In) - Individual Components



Panhard Bar



Over-Axle Bag Mounts



Behind-Axle Bag Mounts



Shock Crossmember



Lower Shock Mounts



Shock Mount Tabs



Shock Mount Set



Canteliver Link Mounts

Disc Brake and Spindle Packages



16" Big Brakes (Front)



14" Big Brakes (Rear)



13" Kits (Front)



12" and 13" Kits (Rear)



Controllers



Hand-held Switch Box

Compressor Systems and Components



Compressor Systems



Compressors



Intake Filters



Cylinder Kits



Rod Rebuild Kits



Leader Hoses

Air Tanks and Mounts



5-Gallon - Foot Mounts



7-Gallon - End Mounts



7-Gallon Frame Brackets

Gauges



Analog Gauges



Digital Gauges



Gauge Panels

Tube Fittings and Line



Male NPT, Straights



Female NPT, Straights



Male NPT, Elbows



Male NPT, Branch Tees



Male NPT, Run Tees



Tube Union, Straights



Tube, 90-Degrees



Tube, Tee Unions



Air Line

Brass Fittings



Check Valves



Couplers



Nipples



Plugs



Reducers



Run Tees



Gauge Port Run Tees

Switches and Relays



Pressure Switches



Relays



Momentary Toggles



Rocker Switches

Valves and Components



Valve Manifold



Solenoid Valve



Solenoid Mount



Breather Vent



Exhaust Muffler



Silencer Muffler



Schrader Valve



Pneumatic Rocker

Complete Catalog

VERSION 6.0 **KP COMPONENTS**
 INNOVATIVE TRUCK SUSPENSIONS
 A Choctaw Components, Inc. Brand

NEW WEBSITE AND E-STORE
 The KP website is sporting a brand new look with an updated E-Store, complete with high-res product photos and downloadable installation guides. Suspension systems, control arms, brake pads, king pins, coil compressors, replacement parts, and more!

See It All, Buy it All... Online!

LOADS OF NEW PARTS INSIDE

KP DROPMEMBER SYSTEM
 1960-87 CHEVY C10 AND GMC PICKUPS

Check us out on Facebook for your chance at KP freebies! Like Us

(866) 575-4657 www.KPcomponents.com

VariShock was created as an in-house developed and manufactured line of shocks and struts, giving us absolute control over the feature sets, dimensions, and quality of the shocks. The VariShock product line offers an affordable and versatile, high-end performance improvement over the various markets that Chassisworks serves.



Look for items tagged **NEW** and **UPDATED** to see what we've been working on.

NEW

- ✓ **Product Line Versatility**
Simple bolt-on replacements to road- and drag-race
- ✓ **Custom Solutions**
Builder Shock Program allows complete shock configuration

VariShock Valve Adjustments

SensiSet

Ride-sensitive valving that is factory-set.



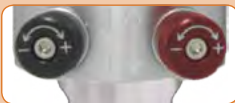
QuickSet 1

A single-adjustable shock with a 16-step knob that adjusts bump and rebound simultaneously.



QuickSet 2

A double-adjustable shock with a 16-step adjustment on both bump (compression) and rebound (extension), allowing 256 combinations of control.



QuickSet 4

Four-way shock tuning with separate 16-step high- and low-speed adjustment of bump (compression) and rebound (extension) for ultimate control of ride and handling.



VariShock Contents

Coil-Over Shocks and Components	93
Remote Reservoir Coil-Over Shocks and Components.....	94
Direct-Fit Front Shocks, Struts, Coil-Overs, Air-Springs	94
Direct-Fit Rear Shocks, Coil-Overs, Air-Springs.....	95
Custom-Fit Coil-Over and Air-Spring Conversions.....	95
Drag Race Integral Spindle Struts	95
Coil Springs	96
Tools	96
Air-Spring Shocks	96
Smooth Body Shocks.....	96
Shock Mounts and Components.....	97
Catalog and Buyer's Guide	97



Coil-Over Shocks



Poly Eye / Poly Base



COM-8 Eye / COM-8 Base



Swivel Ball / Poly Base



Swivel Ball / Poly Crossbar Base



Swivel Ball / COM-8 Base



Swivel Ball / Pivot Base



Swivel Ball / Pivot Crossbar Base

Coil-Over Spring Seat Hardware and Components



Spring Seat Set



Extended Spring Seat Set



Spring Seat Thrust Bearings



Bump Stops

Coil-Over Top Mount Eyes and Components



Extended COM-8 Eye



COM-8 Bearings



1/8"-Wide Bearing Spacers



1/2"-Wide Bearing Spacers



Extended Poly Eye



Poly Bushing Set



C/O to Stem Conversion

Remote Reservoir Coil-Over Shocks and Components



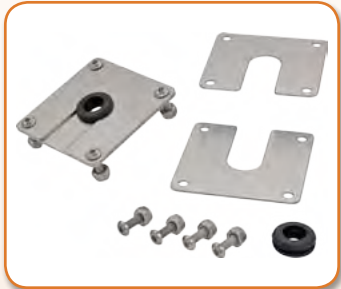
Piggyback Reservoir



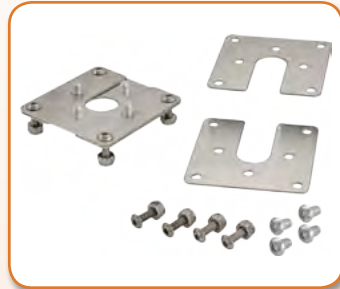
COM-8 Eye / COM-8 Long Base



COM-8 Eye / COM-8 Base



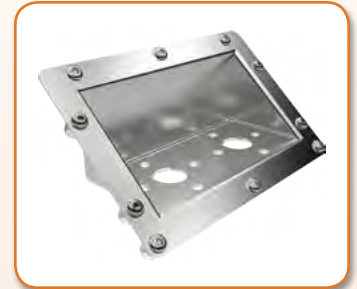
Hose Passage Bulkhead



Single Reservoir Base Mount



Dual Reservoir Base Mount



Dual Reservoir Trunk Mount



Reservoir Surface Mount



Reservoir 1" Mount



Reservoir 1-5/8" Mount



3/4" Bore Hose Clamp

Direct-Fit Front Shocks, Struts and Coil-Overs



'62-67 Chevy II / Nova



'62-67 Chevy II / Nova (Air)



'64-73 Mustang



'64-73 Mustang (Air)



'82-92 Camaro, '79-04 Mustang



'82-92 Camaro, '79-04 Mustang



'93-03 Camaro (F-Body)



OEM Replacement

Direct-Fit Rear Shocks, Coil-Overs, Air-Springs and Components



'64-72 Chevelle (A-Body)



'64-72 Chevelle (A-Body)



'64-72 Chevelle (A-Body)



OEM Replacement



'79-04 Mustang



Ford 8.8 Lower Shock Mount

Custom-Fit Coil-Over and Air-Spring Conversions



Coil-Over Shocks/Mounts



Air-Spring Shocks/Mounts



Front Coil Spring Package



Rear Coil Spring Package

Drag Race Integral Spindle Struts - Complete Systems



Stem Mount Strut



Eye Mount Strut



Piggyback Reservoir

NEW

Drag Race Strut Mounts - Individual Components



Stem Bushing Mount



Stem COM Mount



Adjustable COM Mount



Lower A-Arm Strut Mount

VariSpring 2-1/2" ID Coil Springs



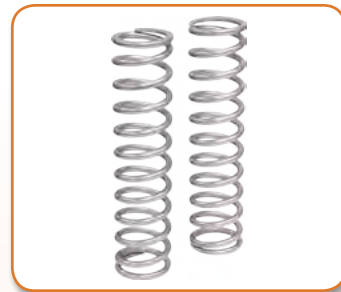
7" Coil-Springs



9" Coil-Springs



12" Coil-Springs



14" Coil-Springs

Tools



Spring Compressor



Spanner Wrench



4.25" Shock Simulator

Air-Spring Shocks



6" Double Convoluted Bag



5" Tapered Sleeve



4" Sleeve



Swivel Ball / Poly Crossbar Base



Swivel Ball / COM-8 Base



Swivel Ball / Pivot Base

Smooth Body Custom-Fit Shocks



COM-8 Eye / COM-8 Base



Spool Eye / Spool Base



Poly Stem / Spool Base

Shock Mounts and Individual Components



Shock Crossmember



Chassis Shock Mounts



Axle Shock Mounts



Stainless Spud Hardware



Billet Mount Clevis



Shock Mount Tabs



Tubular Arm Mounts



Stamped Arm Mounts

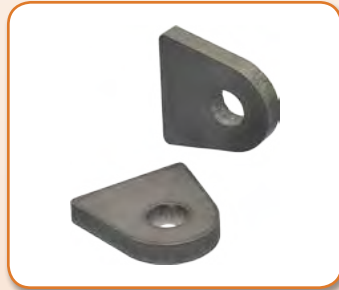
Cantilever Pins Mounts and Individual Components



Cantilever Pins



Weld-In Pin Mount Bosses

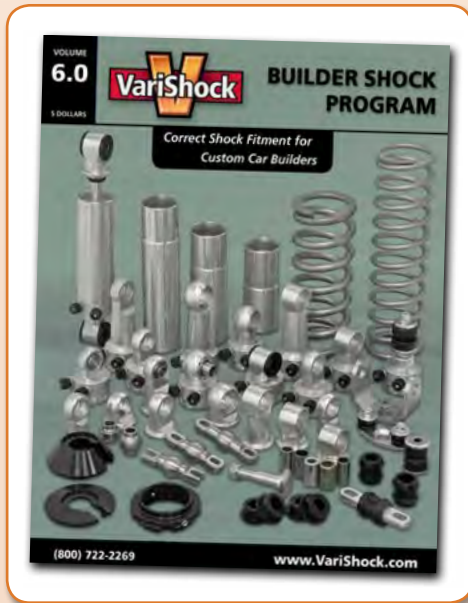


Weld-In Pin Mount Tabs

Complete Catalogs and Buyer's Guides



VariShock Product Catalog



Builder Shock Program Guide

Component Drive Systems



Component Drive Systems (CDS) is an exciting new line of products from Chris Alston's Chassisworks focused on offering the highest-quality, direct bolt-on, gear- and belt-driven accessory systems for popular racing and street-performance engines. Initially a selection of billet aluminum supercharger drives designed for single- or dual-configurations (gear-drive only), the CDS product line continues to expand with additional engine applications and accessory drives, as well as a selection of driven accessories. Product applications include ProCharger, Vortech, and Paxton superchargers, and popular aftermarket accessories, on a growing list of motors.



Look for items tagged **NEW** and **UPDATED** to see what we've been working on.

NEW



Component Drive Systems Contents

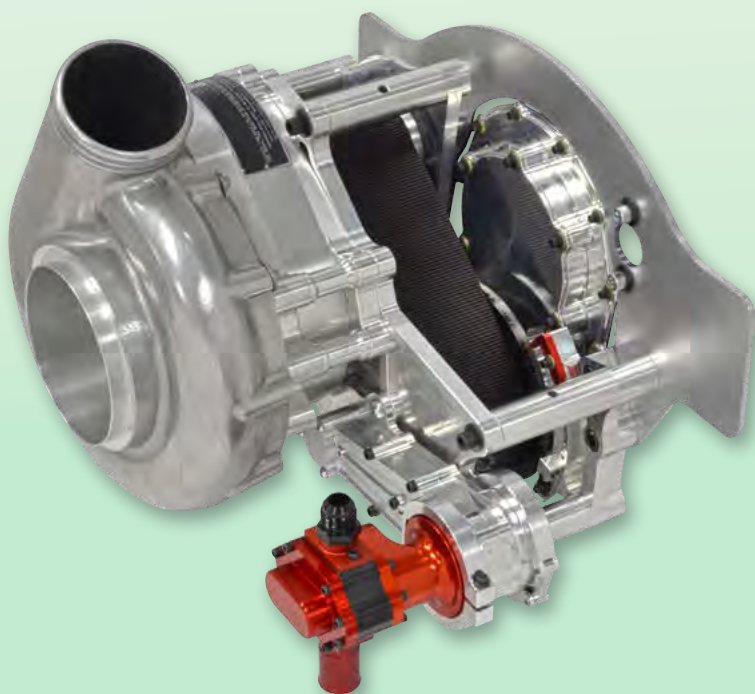
Gear and Belt Drives	100
Driven Accessories and Adapters	101
Distributor and Cam Drive	101
Reduction and Line Drives.....	102

✓ Engine Applications

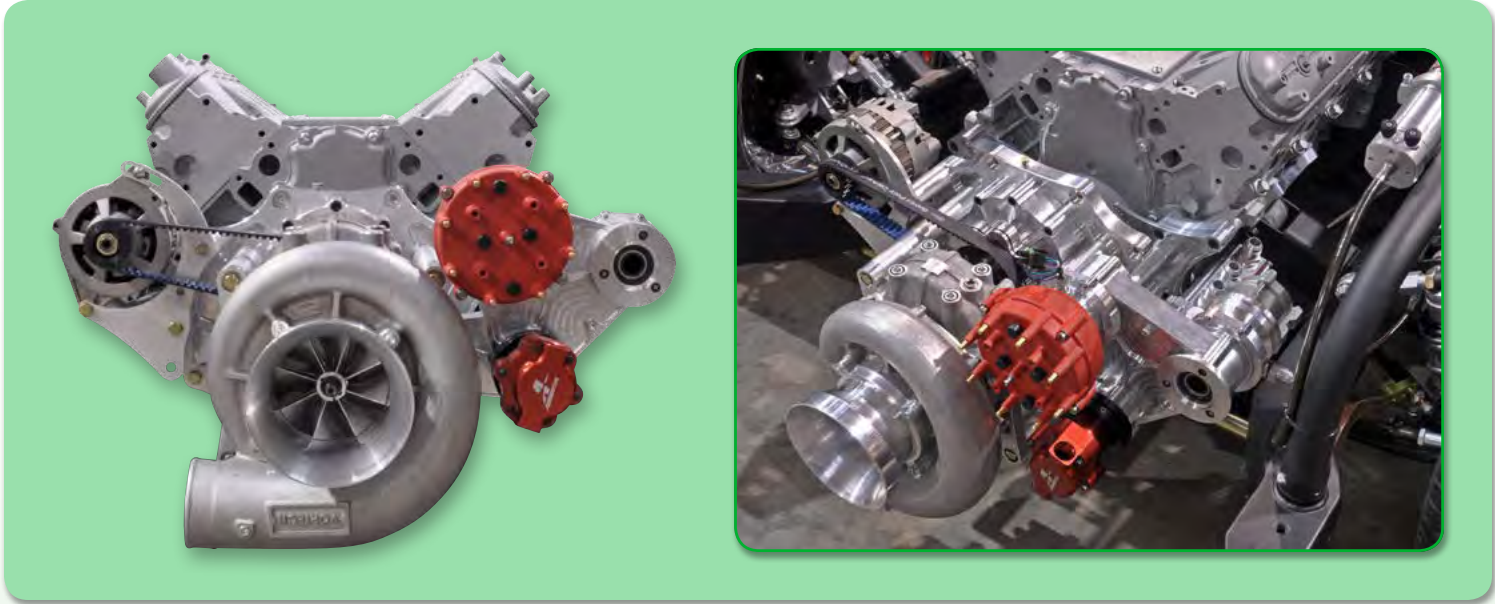
- Chevy Small Block
- Chevy Big Block
- Chevy LS-Series
- Ford Small Block
- Ford Big Block
- Ford Modular
- Oldsmobile V8
- Pontiac V8
- Studebaker V8
- More coming soon

✓ Supported Superchargers

- Vortech
- ProCharger
- Paxton



Component Drive Systems



Component Drive Systems



Gear Drive with Accessory Drives



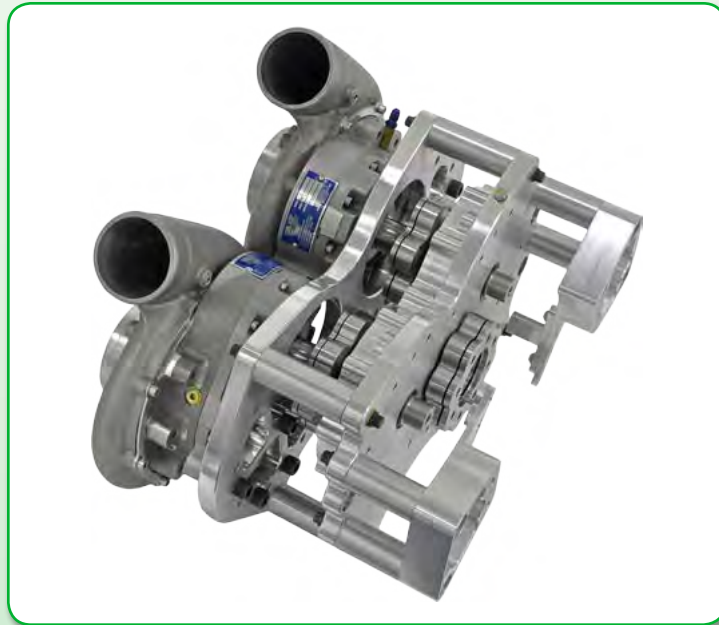
Belt Drive with Accessory Drives



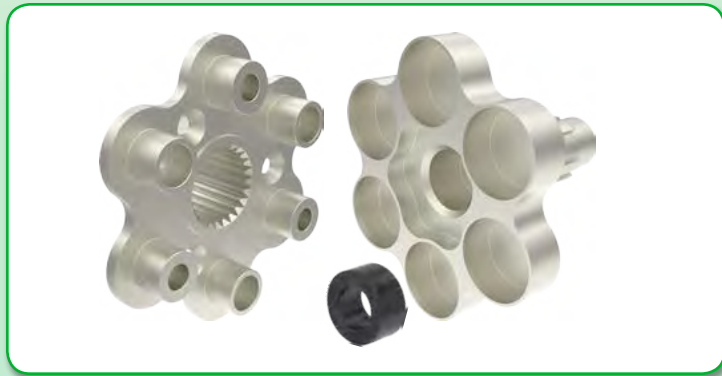
Single Supercharger Gear Drives



Dual Supercharger Gear Drives



Drive Hubs and Bushings



6-Bushing Drive Hubs



12-Bushing Drive Hubs

Component Drive Systems



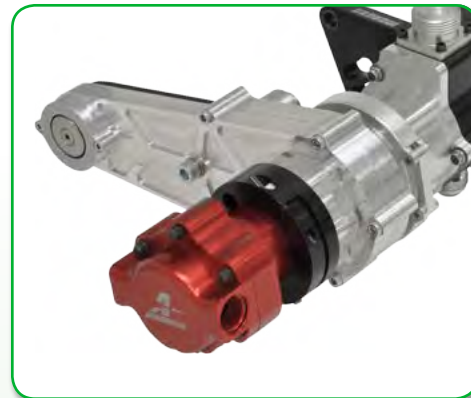
Driven Accessories and Adapters



Alternator Drive



Open Oil Pump Drive



Aeromotive Fuel Pump



Peterson Dry Sump Pump



Star Vacuum Pump



Moroso Vacuum Pump



CDS Water Pump



Moroso Dry Sump Pump



Cable Drive

Distributor and Cam Drive



Distributor and Cam Drive



CDS Distributor

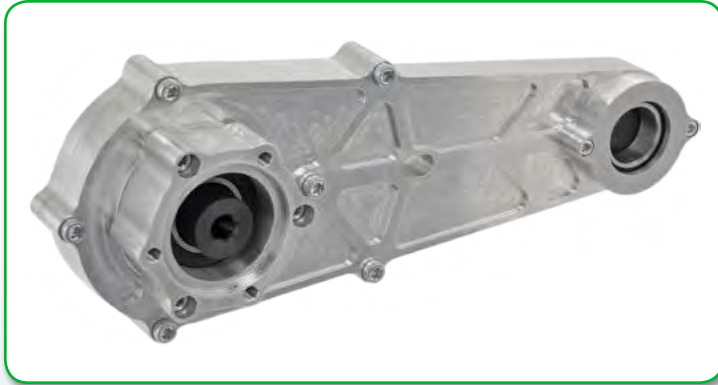


Cam Drive

Component Drive Systems



Reduction Drives, Line Drives and Components



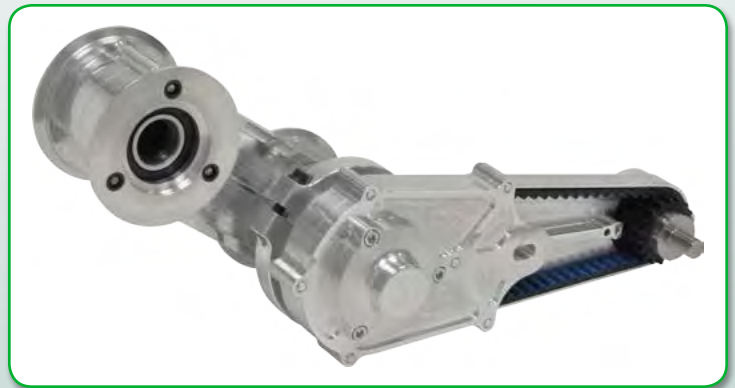
Closed Reduction Drive



Open Reduction Drive



Line Drive



Reduction and Line Drive



Drive Cap



Drive Flange



Band Clamp

Fourteen Individual Catalogs Available to Download



1300+ pages!

Website: CChassisworks.com

Ordering: 1-888-388-0239

Facebook: facebook.com/CChassisworks

Technical: 1-916-388-0288

Email: sales@cachassisworks.com

Fax: 1-916-388-0295

Address: 8661 Younger Creek Drive
Sacramento, CA 95828

Dealer Info: 1-888-388-0239 ext. 233
crobinson@cachassisworks.com

CHRIS ALSTON'S Chassisworks

8661 Younger Creek Drive
Sacramento, CA 95828

1

CHOOSE A BRAND

...in the Booklet or on the Web
Go to page 2 to see our product groups



2

FIND YOUR PRODUCT

Browse that section
to find what you want



3

CALL OR BROWSE BOOKLET ONLINE

Go to CACHassisworks.com/Everything
for the clickable 'Everything' Booklet



LINKED INFO

Pricing	Applications	Tech Info
Options	Instructions	Images
Testimonials	Data Sheets	Catalogs
		Videos



888.388.0239
CACHassisworks.com/Everything

Code: 0239

CHRIS ALSTON'S
Chassisworks
THE HOME OF HIGHER TECHNOLOGY

8631_20190701