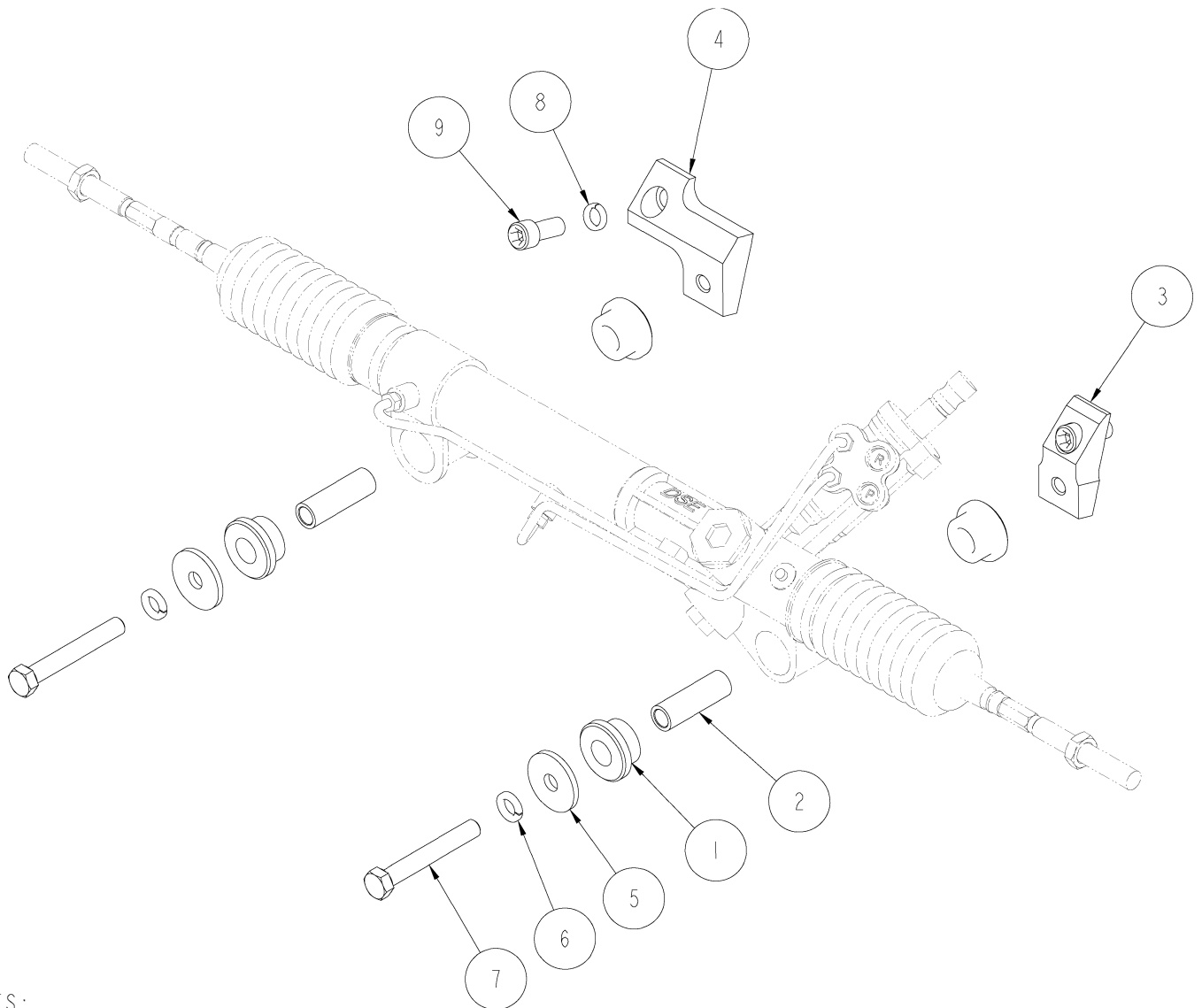


ITEM	QTY	PART NO.	DESCRIPTION
1	4	7962-5077	MOUNT BUSHING, 3/4 BORE x 1-5/16 BARREL, 1.725 OD FLANGE, 0.844 LONG
2	2	3140-1624-074	SLEEVE, POLY BUSHING \varnothing 3/4 x 1/2 x 2.313
3	1	7972-2964	POWER RACK MOUNT, DRIVER, 62-67 CHEVY II, DSE, 30" CROSSMEMBER
4	1	7972-2965	POWER RACK MOUNT, PASSENGER, 62-67 CHEVY II, DSE, 30" CROSSMEMBER
5	2	7972-2963	WASHER, 1-3/4 OD x 1/2 ID x .180 THICK
6	2	3108-050L-C	LOCKWASHER, 1/2 MEDIUM, PLATED
7	2	3100-050C3.50Y	HEX BOLT, 1/2-13 x 3 1/2, GRADE 8, YELLOW ZINC
8	2	3108-050H-C	HIGH COLLAR LOCKWASHER, 1/2 INCH, CLEAR ZINC
9	2	3103-050C1.25C	SOCKET HEAD CAP SCREW, 1/2-13 x 1 1/4, CLEAR ZINC



NOTES:

1. FITS RACK & PINION 6140-215-PDSE
2. IF TIE ROD IS TOO LONG TO SCREW TIE ROD END ON FAR ENOUGH, SHORTEN TIE ROD
3. MAY HAVE TO NOTCH BOTTOM REAR CORNER OF DRIVERS MOTOR MOUNT TO CLEAR UNIVERSAL JOINT FOR STEERING COLUMN

DESCRIPTION **POWER RACK CROSSMEMBER MOUNT,
DSE RACK, 1962-67 CHEVY II**

Chris Alston's **CHASSISWORKS INC.**
8661 YOUNGER CREEK DRIVE
SACRAMENTO, CA 95828
(916) 388-0288 FAX 388-0295

PART NO.

6139-215-PDSE

8/11/22

DWG: 6139-215-PDSE