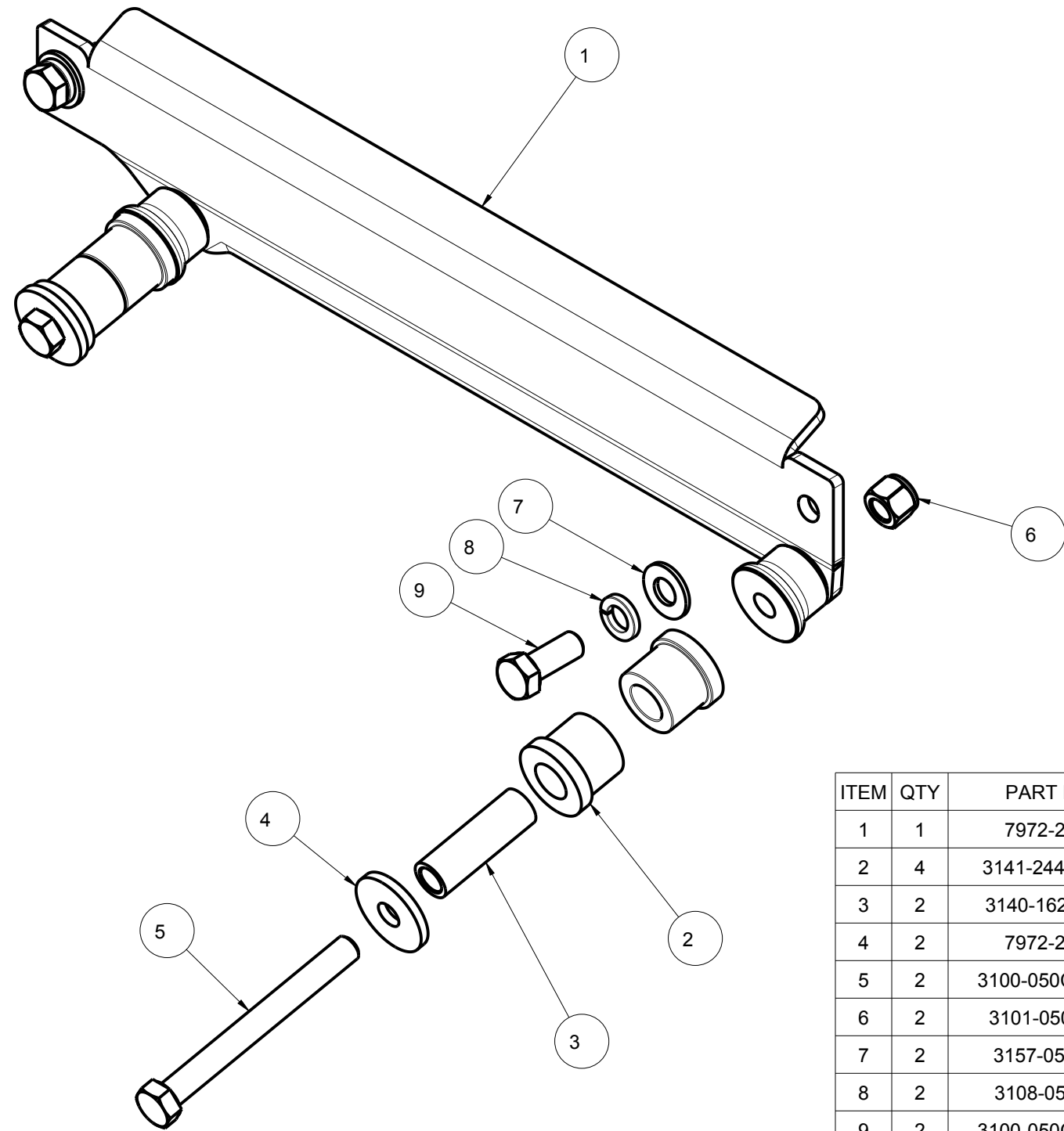


THIS DRAWING CONTAINS PROPRIETARY INFORMATION OF CHRIS ALSTON'S CHASSISWORKS, INC. AND SHALL NOT BE REPRODUCED, TRANSFERRED TO OTHER DOCUMENTS, DISCLOSED TO OTHERS, USED FOR MANUFACTURING, OR FOR ANY OTHER PURPOSE, IN WHOLE OR IN PART WITHOUT PRIOR WRITTEN PERMISSION OF CHRIS ALSTON'S CHASSISWORKS, INC.

PART NO. **6139-33-M40** SHEET **1** REV. **0**

REVISIONS				
ZONE	REV	DESCRIPTION	DATE	APPROVED



ITEM	QTY	PART NO.	DESCRIPTION
1	1	7972-2598	ADAPTER MOUNT, UNISTEER RACK, 33" S/M CROSSMEMBER
2	4	3141-2442-1.20	POLYURETHANE BUSHING 1.503 FLANGE x 1.302 BARREL x .758 BORE
3	2	3140-1624-074	SLEEVE, POLY BUSHING ϕ 3/4 x 1/2 x 2.313
4	2	7972-2599	WASHER, ϕ 1.60 x ϕ 1/2 x .180 THICK
5	2	3100-050C4.75Y	HEX BOLT, 1/2-13 x 4 3/4, GRADE 8, YELLOW ZINC
6	2	3101-050-13C	LOCKNUT 1/2-13, GRADE 5, NYLON INSERT, CLEAR ZINC
7	2	3157-050S-C	WASHER, 1/2 SAE, ZINC PLATED, 1/2 ID x 1 1/16 OD x 3/32 THICK
8	2	3108-050L-C	LOCKWASHER, 1/2 MEDIUM, PLATED
9	2	3100-050C1.25Y	HEX BOLT, 1/2-13 x 1 1/4, GRADE 8, YELLOW ZINC

UNLESS OTHERWISE SPECIFIED		APPROVALS	DATE	DESCRIPTION POWER RACK ADAPTER, UNISTEER, 33" S/M CROSSMEMBER
DIMENSIONS ARE IN INCHES TOLERANCES FRACTIONS ANGLES DECIMAL \pm 1/16 \pm .5 \pm .1 \pm .05 \pm .01 \pm .005 \pm .005 \pm .0010		DRAWN BY: S. RIEGER	6/7/18	
FINISH NONE		CHECKED BY: S. RIEGER	8/21/18	
MATERIAL ASSEMBLY		DWG RELEASE LEVEL: In Work		Chris Alston's CHASSISWORKS INC. 8661 YOUNGER CREEK DRIVE SACRAMENTO, CA 95828 (916) 388-0288 FAX 388-0295
SIZE B	PART NO. 6139-33-M40	PART REV. 0		SCALE: 3:8
DWG: 6139-33-M40 REV: 0.4		SHEET 1 OF 1		